

# POWER RAIL™

Commercial Mounting System  
XD/UD and LD/MD Rails



-  COMMUNICATIONS
-  ENERGY
-  SPECIAL INDUSTRIES
-  SOLAR

**POWER**  
RAIL



# POWER RAIL™ Commercial Mounting System – XD/UD and LD/MD Rails

**PV module mounting system is engineered for longer span and cantilever distances for commercial roof top or open structure applications.**

The POWER RAIL commercial mounting system is designed with the professional PV solar installer in mind. Both the XD/UD and LD/MD rails feature single tool assembly with the revolutionary patented RAD™ Lock-in-Place bolt for fast and secure module clamping.

The high strength marine-grade aluminum rails include an integral wiring channel for securing cables and providing a professional finish.

## Mounting Rail Options\*

**XD/UD Rail** Engineered to save cost on commercial & shade structure applications

**LD/MD Rail** Engineered for long span commercial & shade structure applications

\* Reference Rail Span and Cantilever Charts located at [www.preformed.com](http://www.preformed.com).



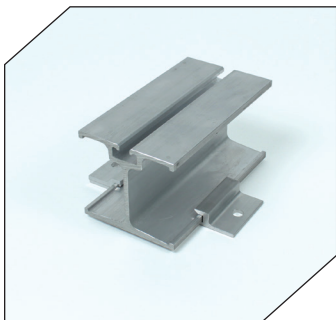
### Reliable

- Engineered rail profiles for maximum strength-to-weight ratio
- Structural Aluminum rigid rail construction
- High Strength stainless steel module clamps and hardware
- UL2703 Code Compliant



### Quick Assembly

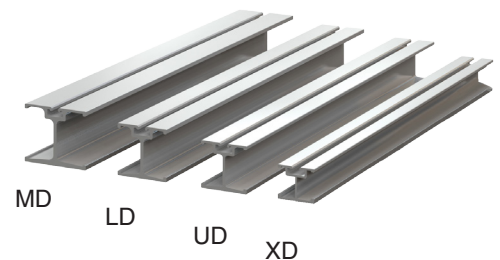
- Longer spans/cantilevers – fewer attachments
- Single tool assembly
- RAD bolt for quick and secure clamp placement
- Integral wiring channel for securing cables
- Rail lengths up to 40 feet – less splices
- Integrated grounding



Rail with mounting bracket

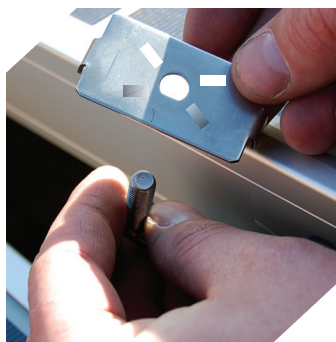
### Standard Rail Lengths

Length	XD Part #	UD Part #	LD Part #	MD Part #
242"	XD-242	UD-242	LD-242	MD-242
282"	XD-282	UD-282	LD-282	MD-282
324"	XD-324	UD-324	LD-324	MD-324



Power Rail Extrusions

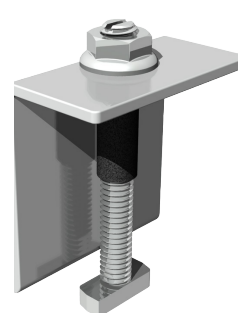
# POWER RAIL™ Commercial Mounting System – XD/UD and LD/MD Rails



Lock-In-Place RAD Bolt

## AMP™ Mid Clamp with RAD™ Bolt Hardware

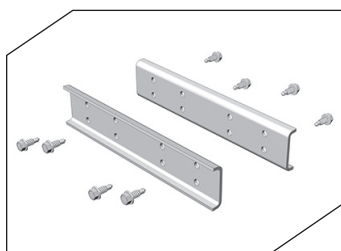
- Eliminates the need for a separate bonding washer
- Twist in anywhere along rail channel - avoid sliding bolts
- Visual indicator of bolt orientation
- “D” hold on mating clamp locks bolt from rotating back out
- Tight 3/8" module spacing
- High Strength stainless steel clamp and bolt



End Clamp with RAD Bolt



AMP Mid Clamp with RAD Bolt

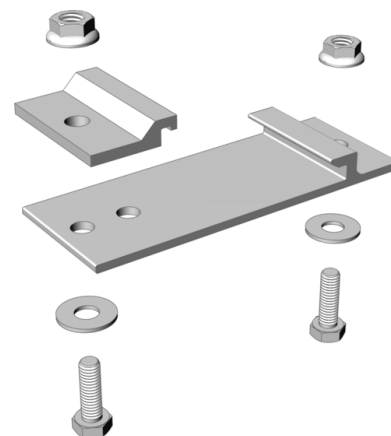


Each kit includes (2) splice plates with self-tapping screws

## XD/UD, LD/MD Splice Plate Kits and Mounting Brackets

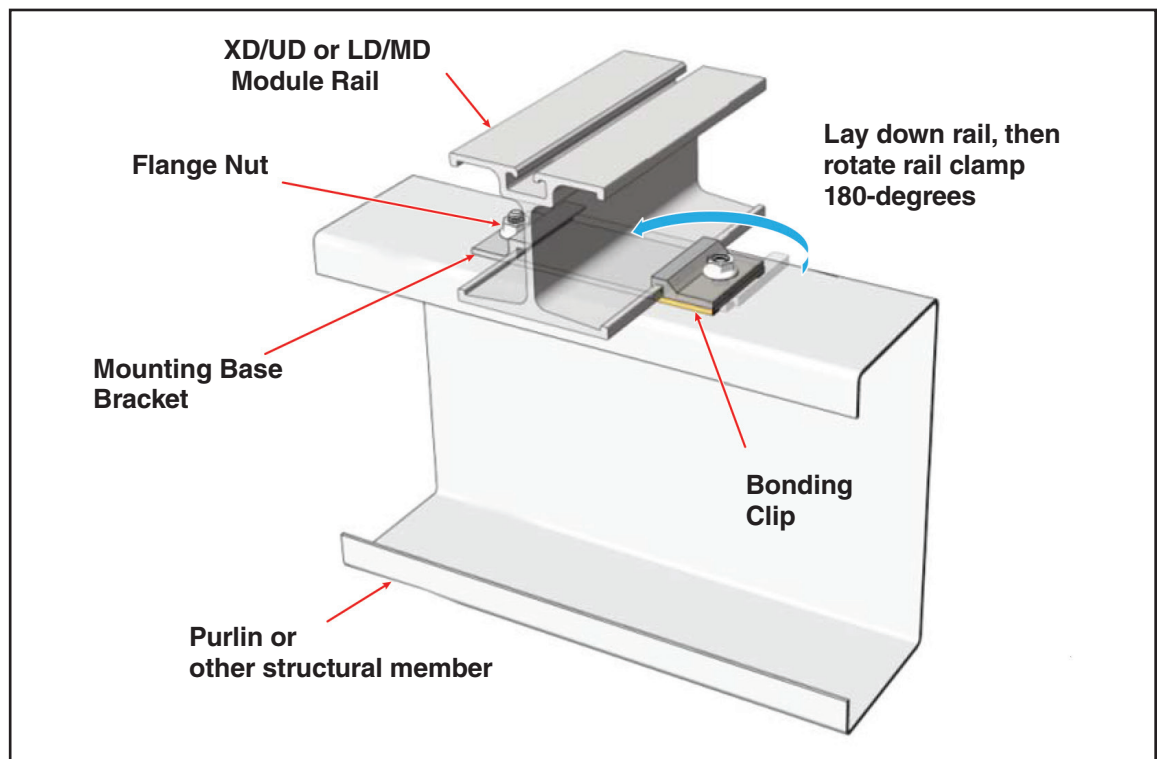
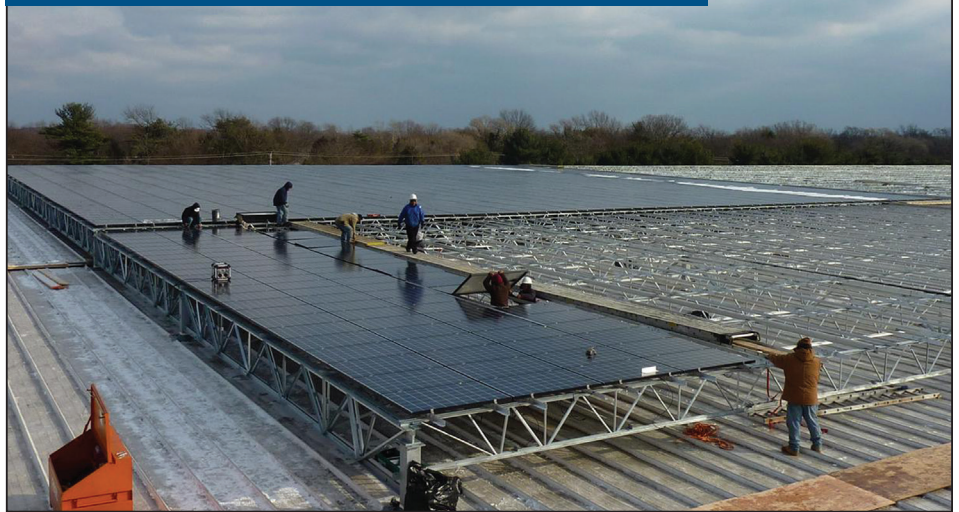
- Splice Plate installs quickly with self cutting screws provided
- Rail Clamp swivels for easier rail placement
- Universal Mounting Base Bracket - XD/UD, LD/MD Rail

Part #	Description
XD-SPK	Splice Kit - XD Rail
UD-SPK	Splice Kit - UD Rail
LD-SPK	Splice Kit - LD Rail
MD-SPK	Splice Kit - MD Rail
MBB-LD-MD	LD/MD Mounting Base Bracket
MBB-XD-UD	XD/UD Mounting Base Bracket
MBB-GC	Grounding Washer for MBB-LD-MD Base Bracket



Mounting Base Bracket with 5/16" Hardware

## Commercial Installations



**PREFORMED**  
LINE PRODUCTS

Albuquerque Office  
1700 Louisiana Blvd., Suite 130  
Albuquerque, NM 87110 USA

Corporate Headquarters  
660 Beta Drive  
Cleveland, Ohio 44143 USA

Telephone: 800.260.3792  
Fax: 505.881.0933  
Web Site: [www.preformed.com](http://www.preformed.com)  
E-mail: [info@plpsolar.com](mailto:info@plpsolar.com)

© 2017 Preformed Line Products  
Printed in U.S.A.  
SL-SS-1115-2  
06.17.1H

