

## Multi-Pole Mounts—G2

PV Solar Ground Mounting System  
Seasonally Adjustable

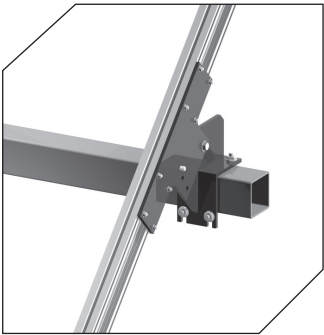


- COMMUNICATIONS
- ENERGY
- SPECIAL INDUSTRIES
- SOLAR





Underside of Multi-Pole Mount



## Multi-Pole PV Mounting (MPM-G2) System

The MPM-G2 is designed to install quickly and provide a secure mounting structure for PV modules on a single row of vertical pipe. The module specific design reduces the number of components and provides for an easier assembly. The MPM-G2 utilizes high strength welded steel components and corrosion resistant hardware for long term reliability. Seasonal adjustability for maximizing production is provided by nine positive locking tilt angle settings.

### Maximum Strength – Durable Design

- Designs available to withstand up to 130 MPH wind zones
- MIG welded steel pipe caps and rail brackets with powder coated finish
- Stainless steel module mounting hardware
- 6000 series structural aluminum mounting rails
- Stainless steel module clamps
- Stainless steel rack assembly hardware

### Application Flexibility

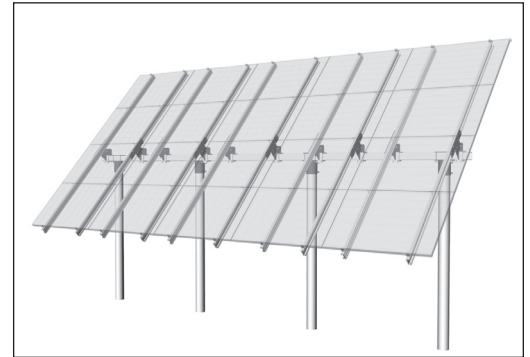
- ▼ Several sizes available from 2 through 4 modules high in landscape orientation
- Structures designed for standard 3", 4" or 6" Schedule 40 or 80 vertical steel pipe and 4" x 4" square or 5" x 4" rectangular horizontal steel tube (Installer Supplied)
- Ideal for shade and carport structures
- Capable of significant ground clearance
- Adjustable elevation brackets available with 0°, 10°, 20°, 25°, 30°, 35°, 40°, 45° and 55° positive locking tilt angles.

### Ease of Assembly – Reduced Labor Costs

- One row of vertical pipe reduces ground work
- Fast top-clamping module attachment
- Fewer ground penetrations than traditional ground mounts
- Patented RAD™ Twist-In Bolts that Lock-in-Place
- 0° Tilt setting to ease module installation
- Integrated grounding

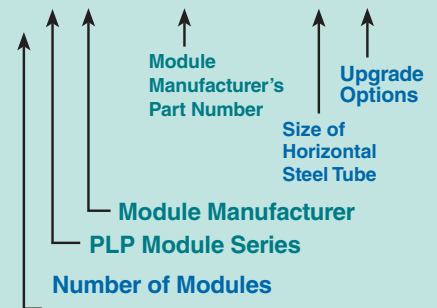
### Key Benefits

- Maximum Strength
- Module Specific Design
- Ease of Assembly – Reduced Parts
- Single Row of Ground Penetrations
- Seasonal Elevation Adjustment



### Ordering Guideline

**MPM4-D-SHARP-NE170UC1-4x4-AA**



### Options / Upgrades

- Hot Dip Galvanized Finish on steel components
- Anodized or Powder Coated Finish on Module rails



Albuquerque Office  
1700 Louisiana Blvd., Suite 130  
Albuquerque, NM 87110 USA

Corporate Headquarters  
660 Beta Drive  
Cleveland, Ohio 44143 USA

Telephone: 800.260.3792  
Fax: 505.881.0933  
Web Site: [www.preformed.com](http://www.preformed.com)  
E-mail: [info@plpsolar.com](mailto:info@plpsolar.com)

© 2017 Preformed Line Products  
Printed in U.S.A.  
SL-SS-1104-6  
06.17.IH

*Foundation Design Support available  
from PLP's engineers.*

