

# Ballasted POWER PEAK™

## Request for Quote



### Contact Information \*Required fields

Project Name\*: Company Name\*:  
 Company Address\*: City\*: State\*: Zip\*:  
 Point of Contact\*: Email address\*:  
 Phone\*: Fax: Distributor:

### Site Information

Site address\*: City\*: State\*: Zip\*:  
 Exposure Category\*: Occupancy Category\*: Max Wind Speed\*:  
 Soil Type\*: Average Land Slope & Direction\*: Ground Snow Load\*:  
 Installation on a landfill\*: Yes No Maximum weight requirement (PSF)

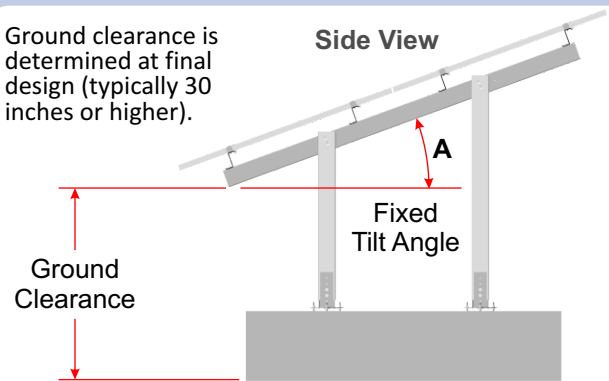
### System Information

Power Peak system requested\*: GSC (Galvanized Steel) GSHC  
 PV Module make and model\*:  
 Total modules in the system\*: Number of Modules per String\*:  
 Fixed Tilt Angle (dimension A)\*:  
 Is a site plan/layout available? (if yes, please include with RFQ form)\*: Yes No

### Installation & Other Services (3rd party)

Would you like an estimate for:  
 - PE stamped structural calcs? Yes No  
 Would you like an estimate for the installation?  
 - Rack assembly? Yes No  
 - Module mounting? Yes No  
 (excludes electrical work)  
 If yes to any of the above, is it?  
 Prevailing wage Union Neither

Ground clearance is determined at final design (typically 30 inches or higher).



### Exposure Design Categories

**Exposure B:** Terrain with buildings, forest or surface irregularities covering at least 20% of the ground level area extending one mile or more from the site. Is generally an urban site. It is not expected that you make an exhaustive survey for one mile all around the array location to determine the exact proportion of building areas to land.

**Exposure C:** Flat and generally open terrain extending one-half mile or more from the site in any full quadrant. This exposure has become the commonly accepted standard when the terrain in an area is not known.

**Exposure D:** Represents the area with the most severe weather conditions. These areas have basic wind speeds of 80mph or greater with flat, unobstructed terrain adjacent to large bodies of open water. Exposure D extends inland from the shore one-quarter mile or ten times the structure height whichever is greater.

Email to: [info@plpsolar.com](mailto:info@plpsolar.com) For assistance call 800.260.3792



Albuquerque office: 1700 Louisiana Blvd., Suite 130  
 Albuquerque, New Mexico 87107 USA  
 Telephone: 800.260.3792 Fax: 505.889.3548  
 Web Site: [www.preformed.com](http://www.preformed.com) E-mail: [info@plpsolar.com](mailto:info@plpsolar.com)  
 ©2017 Preformed Line Products PCN: 070617-1 Rev C