

Top-of-Pole Mount for 3 Modules (TPM3) for Module Types E, F, G, & H

ASSEMBLY INSTRUCTIONS

step-by-step
assembly and installation

Top-of-Pole Mount For 3 Modules (TPM3) For Module Types E, F, G, & H

WARNING

Follow the procedures and precautions in these instructions carefully.

About the product

The TPM3 Type E-H is designed to mount on 4 inch SCH40/80 galvanized steel pipe (installer supplied).

Pipe size and foundation requirements are based on several factors including the array surface area, maximum design wind speed, exposure category, soil type, steepest expected tilt angle, and above-ground clearance.

For foundation and pipe size recommendations on a specific installation, please:

Visit www.preformed.com and select the TPM online configurator.

Contact us by Phone: 800-260-3792

Send an Email request: info@plpsolar.com

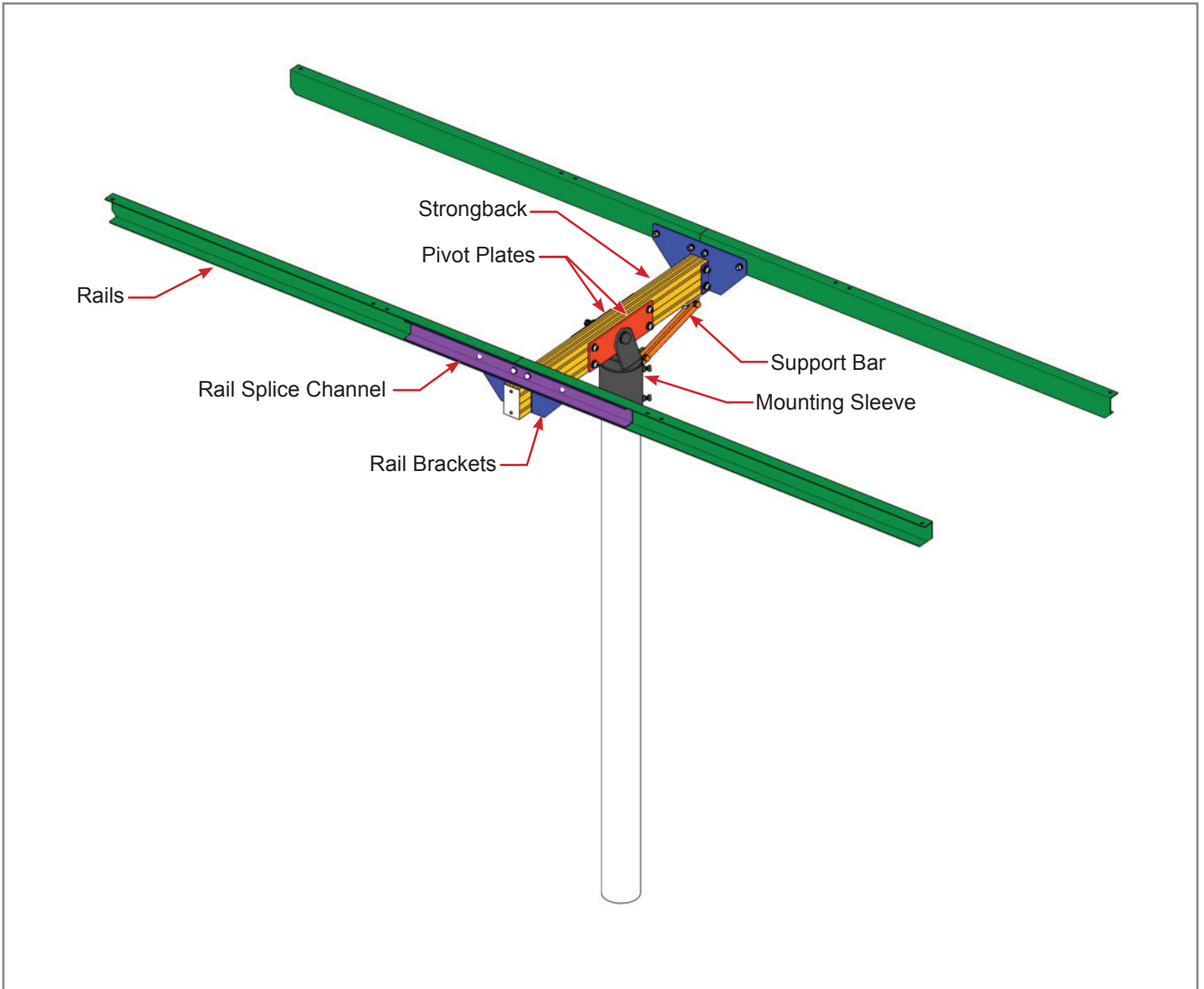
About these instructions:

- These instructions are intended to be used by individuals with sufficient technical skills for the task. Knowledge and use of hand tools, measuring devices and torque values is also required.
- These instructions include various precautions in the forms of Notes, Cautions, and Warnings. These are to assist in the assembly process and/or to draw attention to the fact that certain assembly steps may be dangerous and could cause serious personal injury and/or damage to components. Following the step-by-step procedures and these precautions should minimize the risk of any personal injury or damage to components while making the installation not only safe but an efficient process.

Required Tools

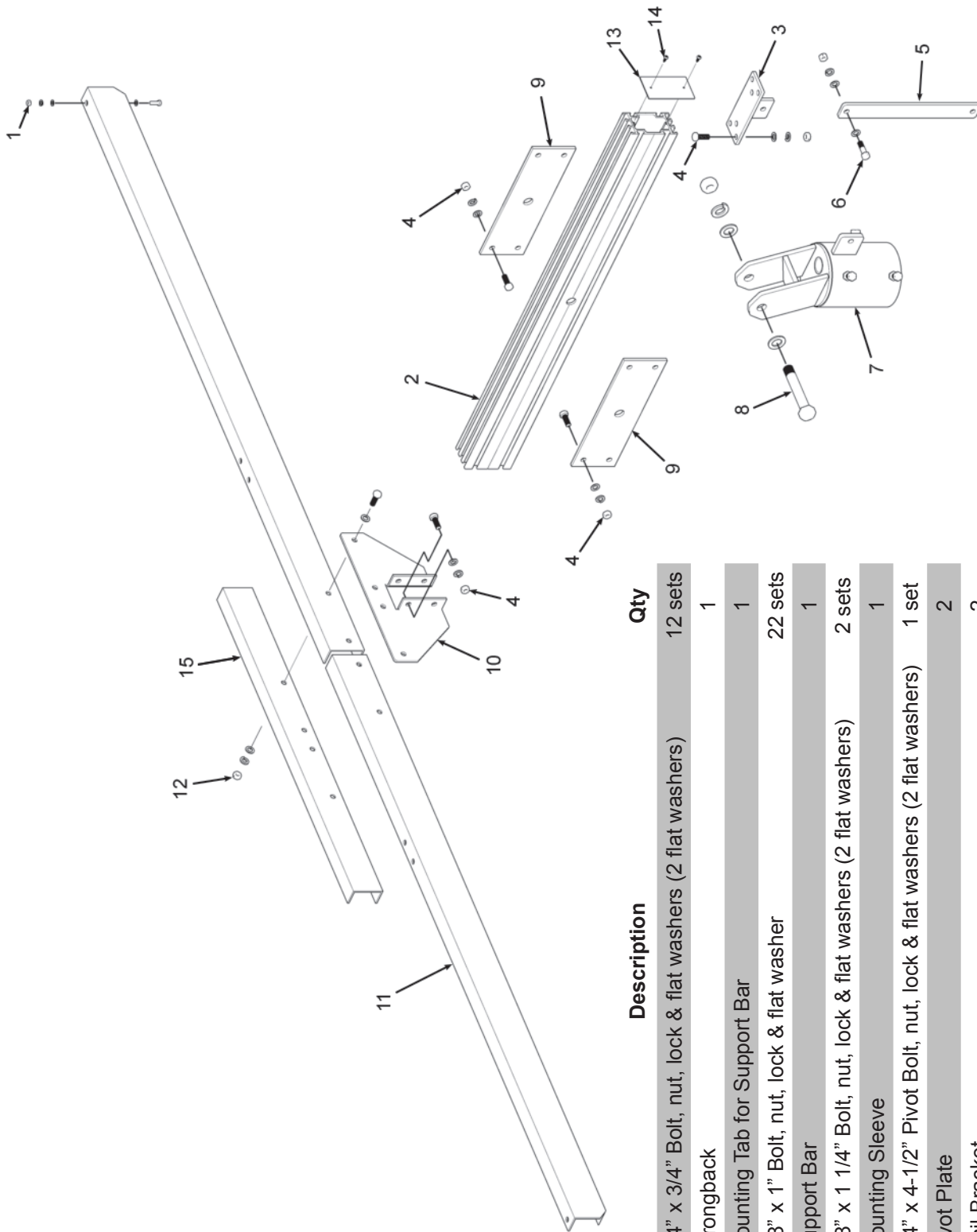
- 7/16 inch wrench or socket for 1/4 inch module hardware
- 9/16 inch wrench or socket for 3/8 inch hardware
- 1-1/8 inch wrench or socket for 3/4 inch Pivot Bolt hardware
- #2 Square Drive for End Cap Screws
- Torque wrench
- Ratchet wrench
- Ratchet extension bar
- 3 to 6 foot level
- Tape Measure
- Square

TPM3 Types E, F, G, & H Main Components



There are just seven main components and their attaching hardware.

TPM3 Types E, F, G, & H Parts Identification

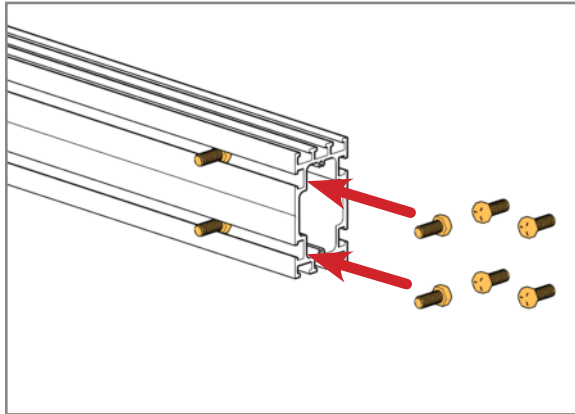


Item	Description	Qty
1	1/4" x 3/4" Bolt, nut, lock & flat washers (2 flat washers)	12 sets
2	Strongback	1
3	Mounting Tab for Support Bar	1
4	3/8" x 1" Bolt, nut, lock & flat washer	22 sets
5	Support Bar	1
6	3/8" x 1 1/4" Bolt, nut, lock & flat washers (2 flat washers)	2 sets
7	Mounting Sleeve	1
8	3/4" x 4-1/2" Pivot Bolt, nut, lock & flat washers (2 flat washers)	1 set
9	Pivot Plate	2
10	Rail Bracket	2
11	Module Rail (left & right)	2 sets
12	3/8" x 1-1/4" Bolt, nut, lock & flat washers (2 flat washers)	8 sets
13	End Cap	2
14	#8 x 1/2" Square Drive Screw	4 sets
15	Rail Splice Channel	2

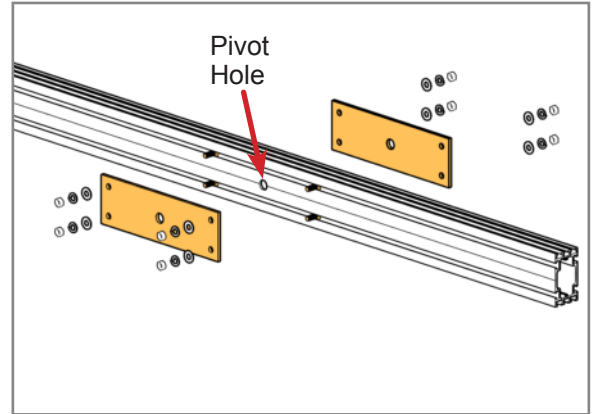
1 Attach the Pivot Plates

CAUTION

Use care while working around the structure during assembly. There could be components that create hazards or obstruct free movement causing serious bodily injury. Many are at head/eye level. Move slowly and with care around the work area.

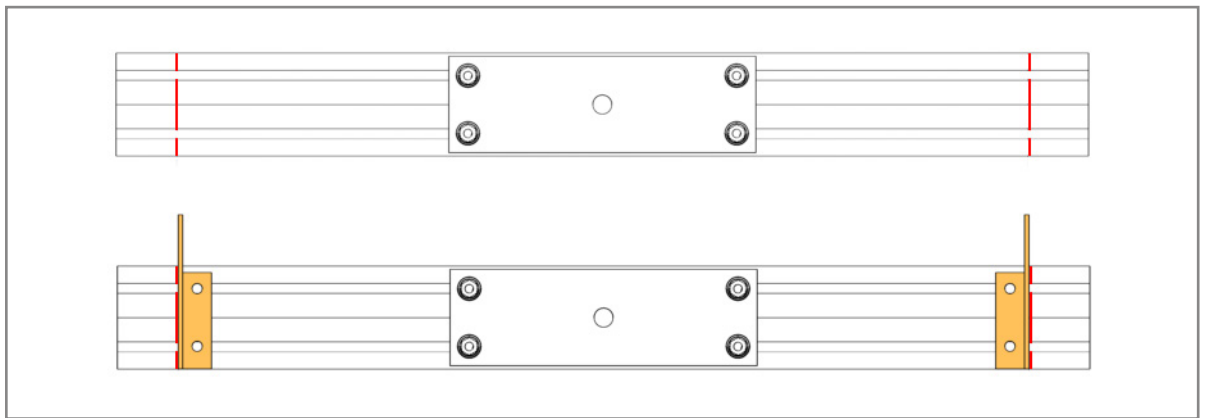


On both sides of the Strongback, insert four 3/8" x 1" Bolts into channels. Arrange Bolts as shown. Align large center hole of Pivot Plates with Pivot Hole of



Strongback (inserting Pivot Bolt through the Plates and hole helps with alignment). Secure with 3/8" Nuts, Lock Washers, & Flat Washers. **Torque to 32-34 ft.-lbs.**

2 Attach the Rail Guides

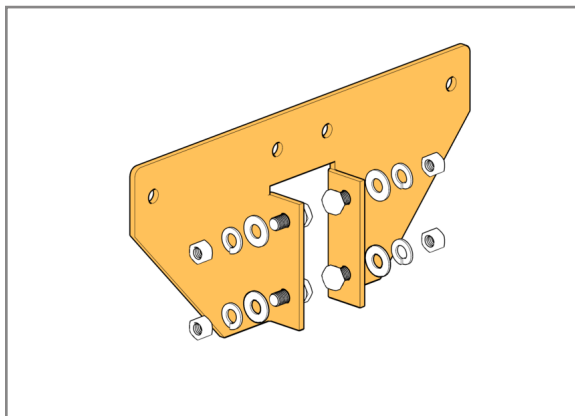


Rail Guide alignment marks (shown in red above for clarity) have been marked-off at the factory. The marks position the span between the Rails Guides to

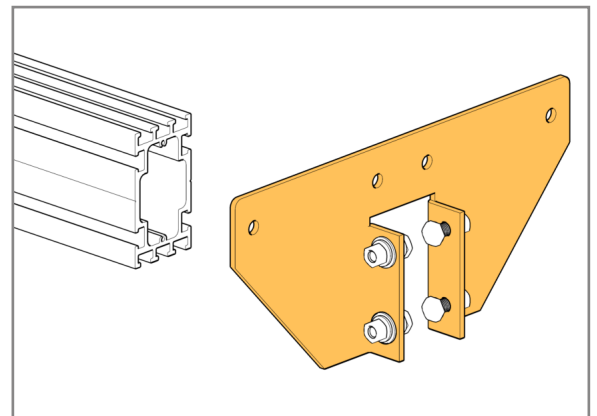
fit the Modules in use. The bottom image shows the relationship of each of the two Rail Brackets to their respective alignment marks.

NOTE

Temporarily finger-tighten the Rail Brackets to the Strongback while installing. After PV Modules are installed, re-tighten to specified torque values.



On the two Rail Brackets, loosely install four 3/8" x 1" Bolts, Nuts, Lock Washers, & Flat Washers.

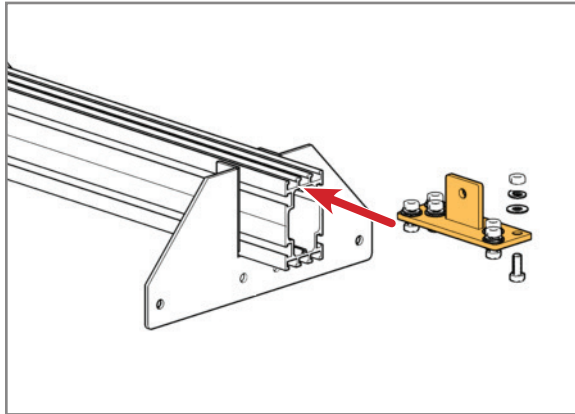


Align Bolts as shown and guide them into the channels of the Strongback. Slide the Rail Brackets to their alignment marks. Tighten and **torque 32-34 ft.-lbs.**

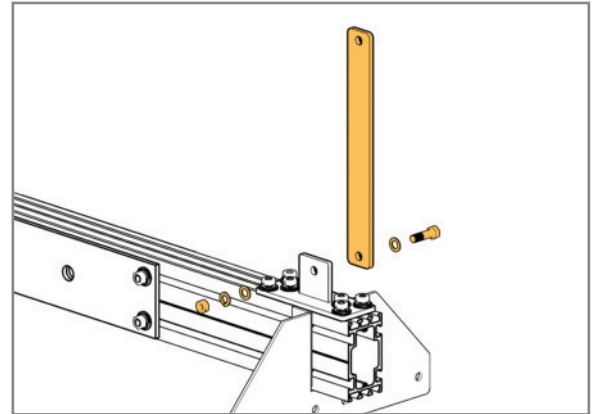
3 Install the Support Bar

NOTE

Temporarily finger tighten the Support Bar Tab & Support Bar hardware. After the Strongback has been installed, re-tighten to specified torque values.

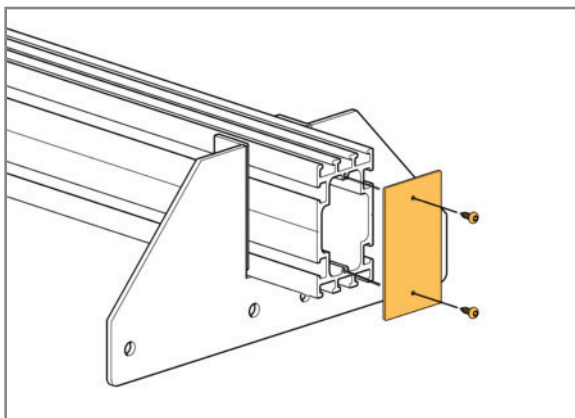


Loosely install the six 3/8" x 1" Bolts, Nuts, Lock Washers, & Flat Washers into the Support Bar Tab. Slide Support Bar Tab onto the Strongback, offsetting



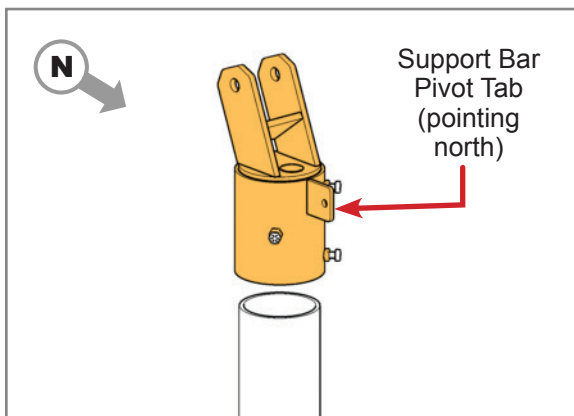
it approximately 1/2" from the end of the Strongback. Attach the Support Bar using a 3/8" x 1-1/4" Bolt, two Flat Washers, a Lock Washer and a 3/8" Nut.

4 Install the End Caps

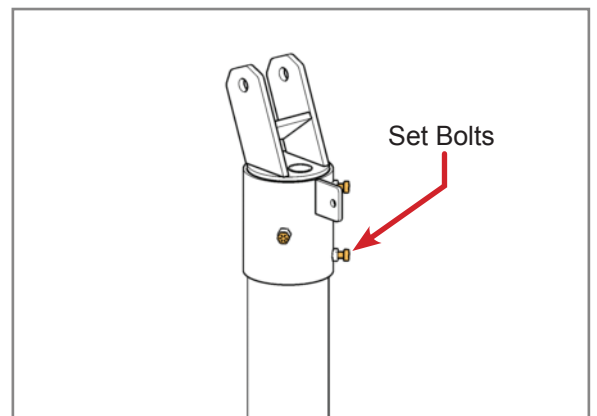


Install one End Cap on each end of the Strongback. Secure with two #8-15 x 1/2" Square Drive Screws.

5 Install the Mounting Sleeve on Vertical Pipe



Slip the Mounting Sleeve on top of the Mounting Pole allowing it to slide down and bottom out on the Pole. Rotate the Mounting Sleeve so that the Support Bar

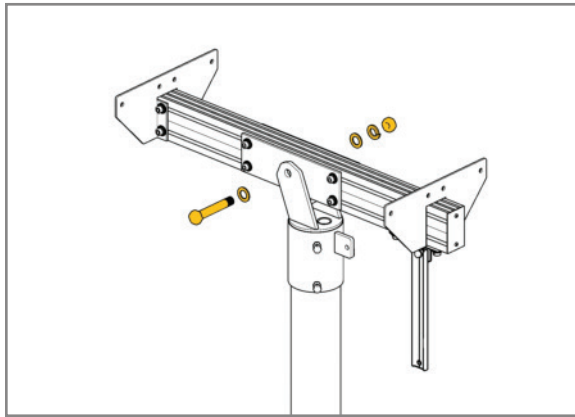


Pivot Tab is pointing north and the Strongback Vertical Towers are leaning south. Tighten Set Bolts and **torque to 32-34 ft-lbs.**

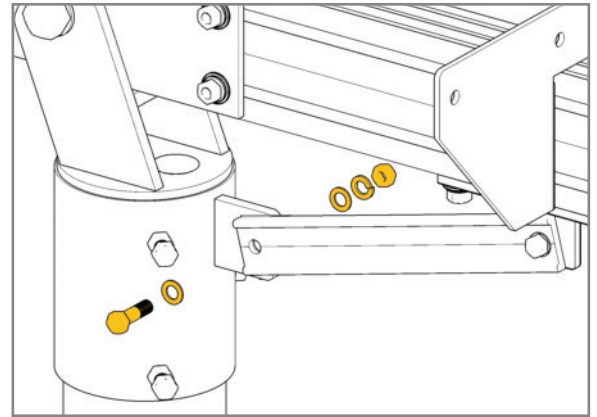
6 Installing the Strongback

CAUTION

This is a two person activity. The Strongback must be held in place by one person while the second person aligns it and secures it to the Mounting Sleeve using the Pivot Bolt and Support Bar. Failure to do so could lead to serious personal injury.



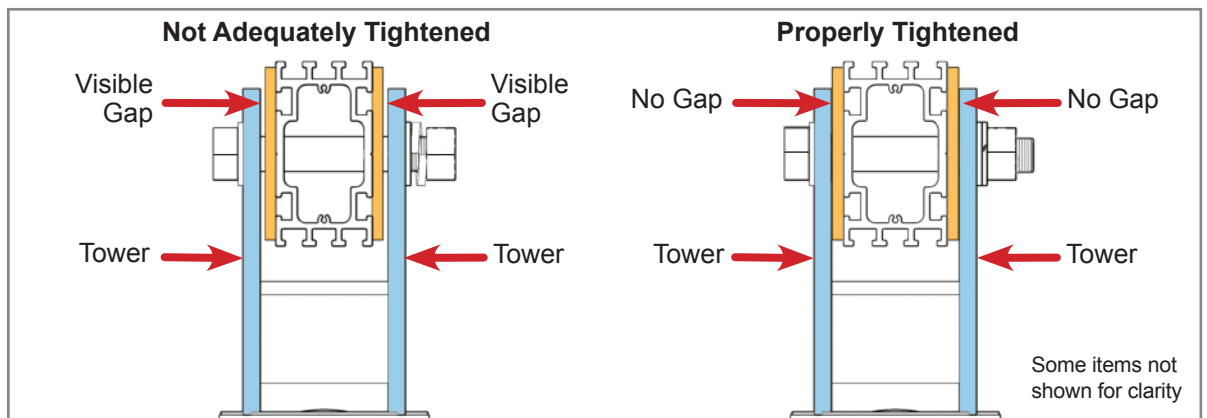
Secure Strongback to Mounting Sleeve with Pivot Bolt, two Flat Washers, Lock Washer and Nut. For now, finger tighten to allow movement during the next step.



Secure Support Bar to Mounting Sleeve with 3/8" x 1-1/4" Bolt, two Flat Washers, Lock Washer and Nut. Securely tighten hardware to hold structure in place while continuing assembly.

NOTE

Although this system offers variable elevation set points, for ease of assembly, set the angle to 0-degrees. Optimum tilt setting of the rack will take place later in these instructions.

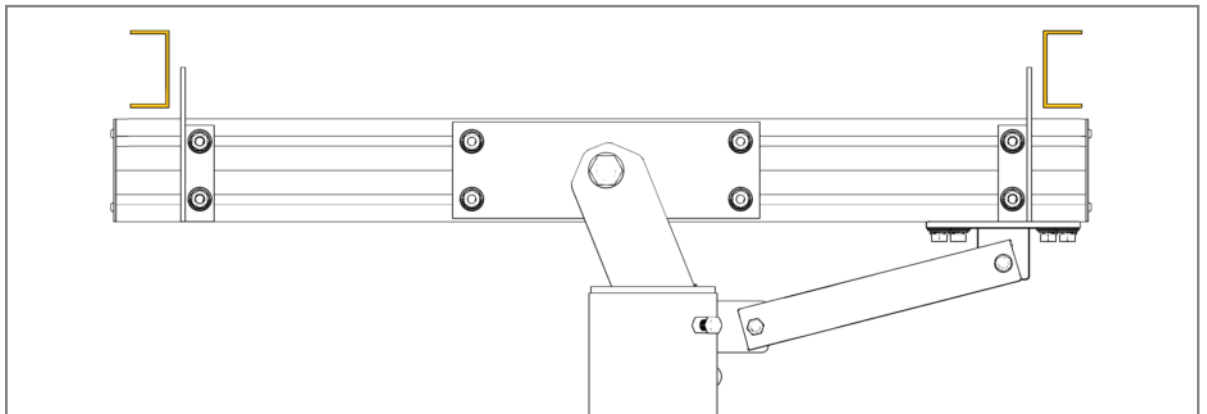


Tighten the Pivot Bolt closing any visible gaps between the Pivot Plates and the Mounting Sleeve Towers. Torque to 125-150 ft.-lbs.

7 Install the Module Rails

CAUTION

This is a two person activity. Module Rails are unstable before they are secured to the Rail Brackets.

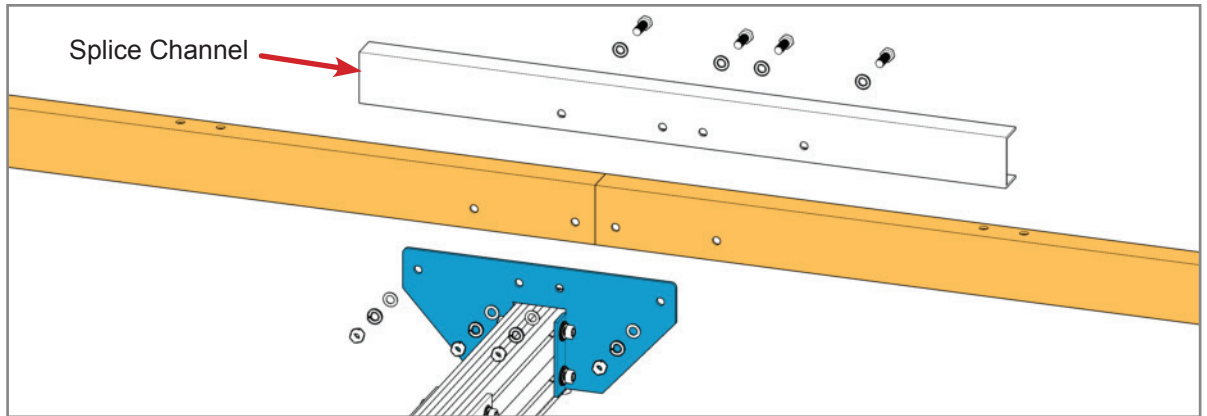


The Module Rails must be oriented and installed to the Rail Brackets as shown above.

7 Install the Module Rails (continued)

NOTE

Finger-tighten the Splice Channel and Module Rails to the Rail Brackets while installing. After PV Modules are installed re-tighten to specified torque values.



Using the Splice Channel secure the Module Rails sets to Rail Brackets with 3/8" x 1-1/4" Bolt, two Flat Washers, Lock Washer and Nut.

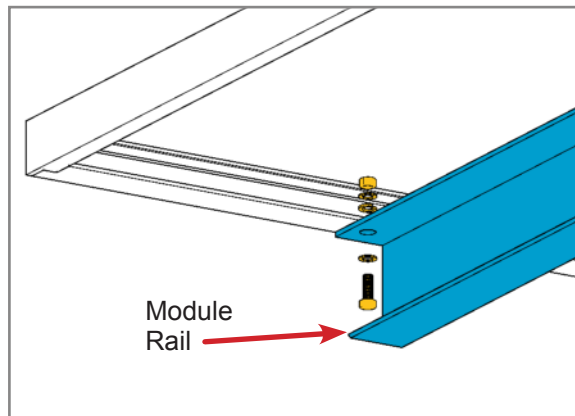
8 Installing Modules

CAUTION

This is a two person activity. PV Modules are heavy and unstable before they are fully secured to the Module Rails. PV Modules must be held in place by one person while the second person aligns and secures them to the Module Rails. Failure to do so could lead to serious personal injury and damaged components.

NOTE

Finger-tighten the Modules to the Rails while installing to allow alignment and spacing of the Modules. Re-tighten to specified values after all Modules are installed.



Secure Modules at each of their four attachment points with 1/4" x 3/4" Bolt, two Flat Washers, Lock Washer, and Nut.

9 Now Return and Tighten Mounting Hardware

CAUTION

Be certain to re-tighten all Rail Bracket, Module Rail and PV Module mounting hardware and torque to the specified values. Failure to do so could lead to structural failure, damaged components and/or serious personal injury.

- A. Return and tighten each set of the 3/8" mounting hardware, securing the *Module Rails* to the *Rail Brackets*. **Torque all at 32-34 ft.-lbs.**
- B. Return and tighten each set of 1/4" mounting hardware, securing the *PV Modules* to the *Module Rails*. **Torque all at 6-8 ft.-lbs.**
- C. Return and tighten each of the 3/8" Flange Nuts, securing the *Rail Brackets* to the *Strongback*. **Torque each Flange Nut to 32-34 ft.-lbs.**

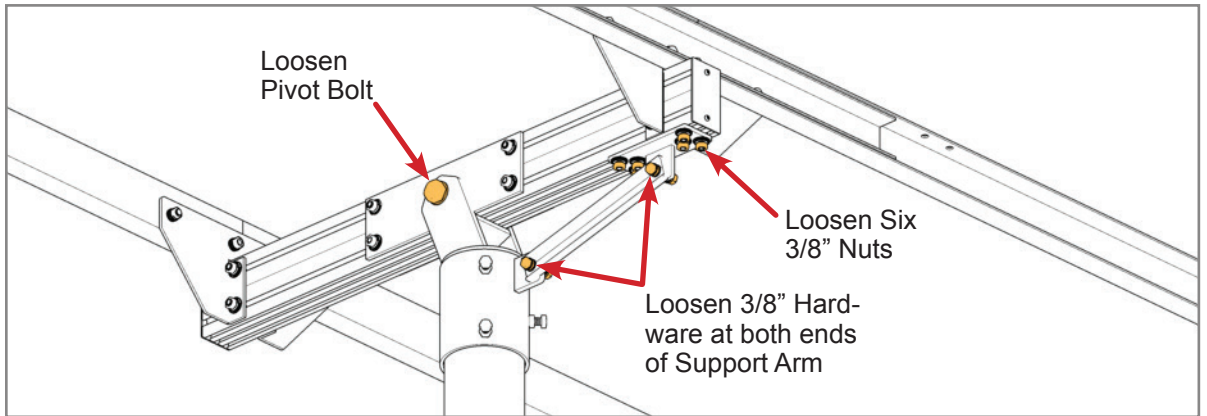
10 Adjust the Array Tilt Angle

WARNING

Do not attempt to remove the Pivot Bolt during tilt adjustments! Removal could lead to serious personal injury or death. Adjustments are made with the Pivot Bolt hardware loosened but in place.

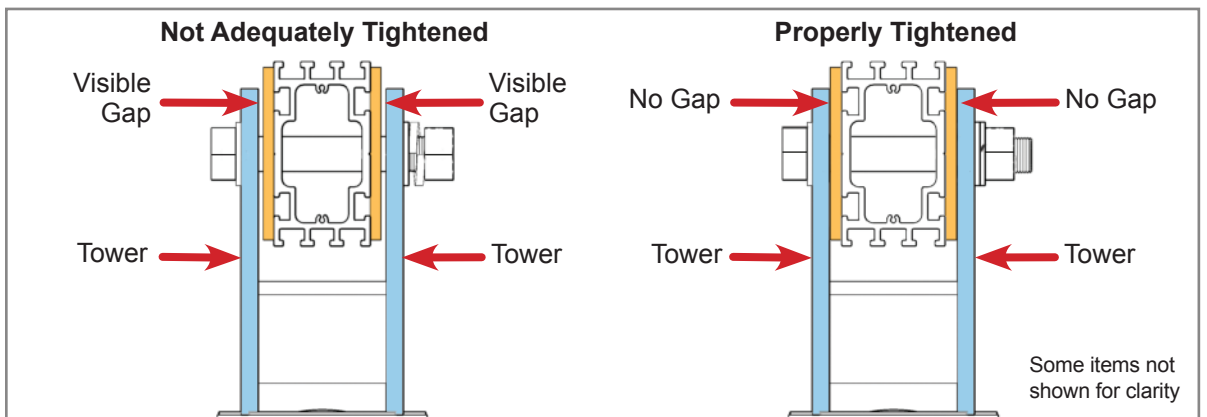
CAUTION

This is a two person activity. As the hardware is loosened, the rack is heavy and unstable. The rack must be held in place by one person while the second person loosens the hardware and then re-installs and tightens the hardware back in place. Failure to do so could lead to serious personal injury and damaged components.



A. While one person holds the south edge of the rack, the other loosens the Pivot Bolt, the 3/8" Nuts securing the Mounting Tab to the Strongback, and the 3/8" hardware at both ends of the Support Bar at the Support Bar Mounting Tab of the Strongback and the Pivot Tab of the Mounting Sleeve.

B. Tilt the rack to the desired elevation angle and re-tighten the 3/8" hardware at both ends of the Support Bar. **Torque 3/8" hardware to 32-34 ft.-lbs.**



C. Re-tighten the Pivot Bolt. The Pivot Bolt cannot be left loose - the Mounting Sleeve Vertical Towers must be firmly clamped to the sides of the Strongback eliminating any gaps between the Vertical

Towers and the Strongback. **Torque to 125-150 ft.-lbs.**



Albuquerque Office
1700 Louisiana Blvd., Suite 130
Albuquerque, NM 87110

Corporate Headquarters
660 Beta Drive
Mayfield Village, OH 44143

Telephone: 800.260.3792
Fax: 505.889.3548
www.preformed.com
E-mail: info@plpsolar.com

© 2017 Preformed Line Products
PCN 113016-2 Version 2, Rev E
SP3303-3