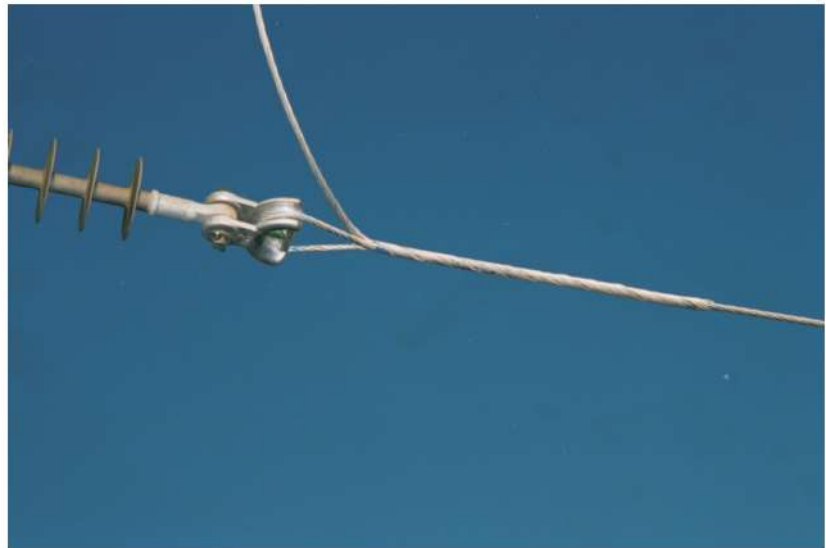


Aluminium Alloy Thimble Clevis



These fittings designed for use with Dead Ends are cast in aluminium alloy LM6 and have a rated UTS of 40kN. Catalogue No. CAB 100. Suitable for use on HV Conductor terminations with insulators having tongue type spindles or tongue type adaptors.

The T-shaped segment incorporated within the mouth of the thimble is another PREFORMED™ original innovation, and is compatible with the Thimble Regulating Eye described in the following page.

Dimensional details are as above.

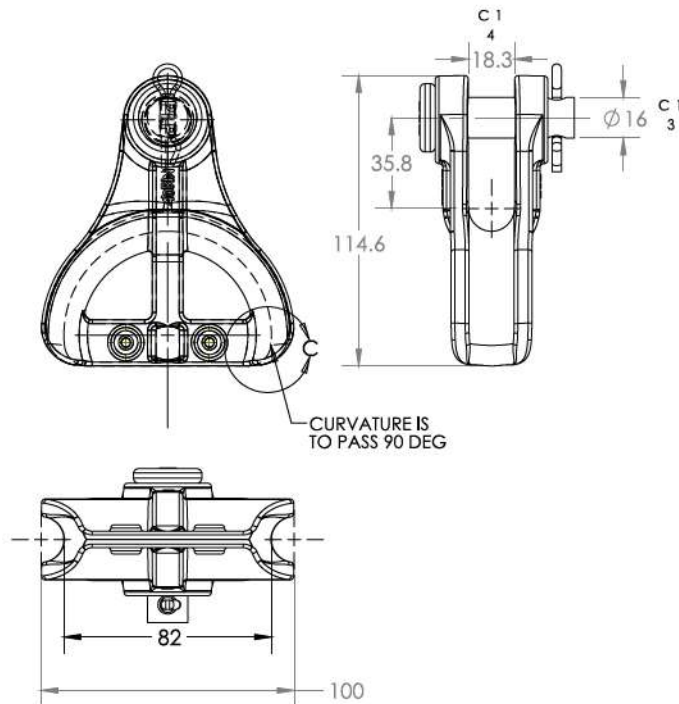
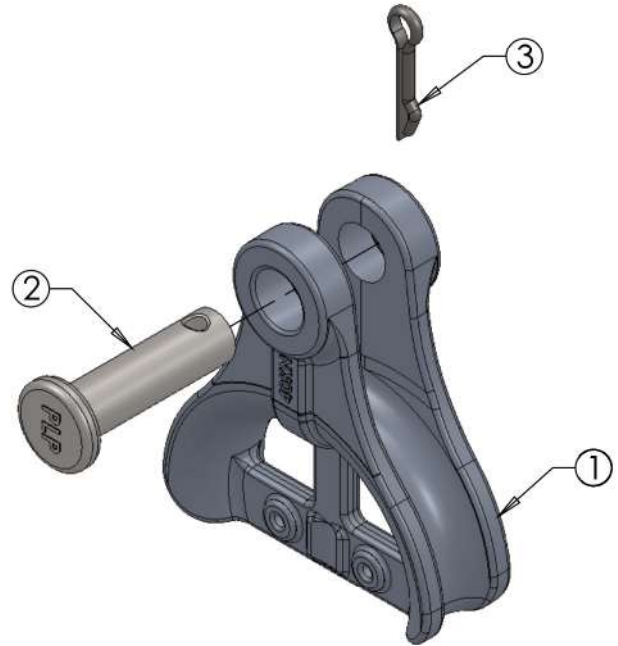
The advantages of using this method of terminating are:

1. It is a distinct advantage to tension the conductors from the Thimble Clevis rather than from the cross-arm which is the alternative method.
2. The insulators are properly sited and placed in tension.
3. Conductor regulation, or sag, is made more precisely and easily.
4. The complete termination procedure is carried out quickly, efficiently, uniformly and safely.
5. 70 kN and 40 kN options.

Cast Aluminium Thimble Clevis - 40kN Assembly

Catalogue No.: TC40A

ITEM NO.	DESCRIPTION	QTY
1	Cast Al. Thimble Clevis-40KN	1
2	ø16 X 60mm Clevis Pin	1
3	Stainless Steel Humpback Split Pin	1



Cast Aluminium Thimble Clevis with Clamping Assembly

Catalogue No.: TC40C

ITEM NO.	DESCRIPTION	QTY
1	Cast Al. Thimble Clevis-40KN	1
2	Cast Al. Thimble Clevis Keeper	1
3	M8 X 40 Hex Setscrew Stainless Steel Gr. A4	2
4	Stainless Steel Humpback Stainless Steel 4x16	1
5	M8 Spring Washer Stainless Steel - GR 316	2
6	ø16 x 60mm Clevis Pin	1

