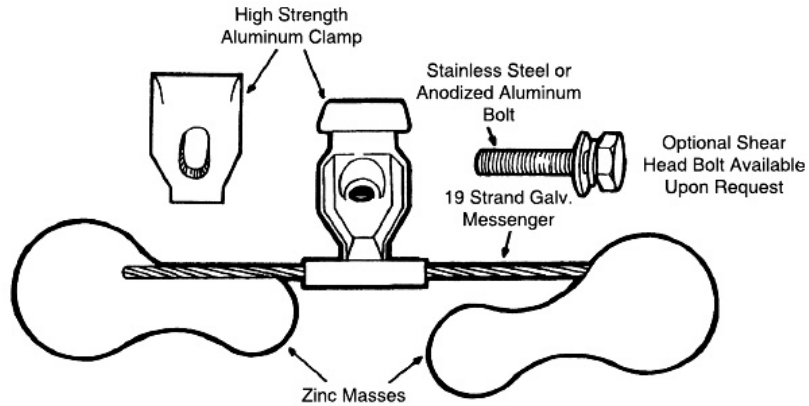


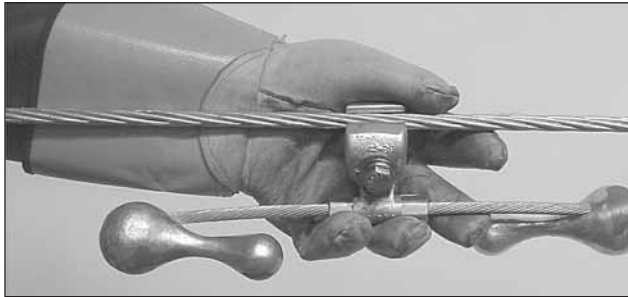


DOGBONE DAMPER

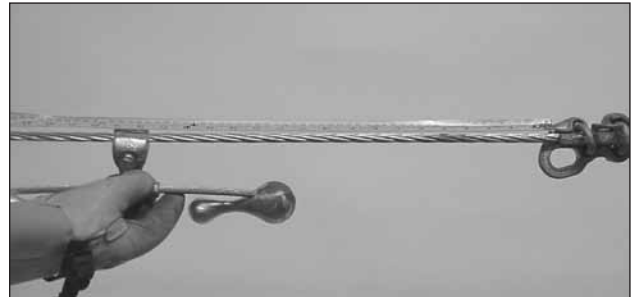
Be sure to read and completely understand this procedure before applying product. Be sure to select the proper PREFORMED™ product before application.



Step #1 Open the bolt and keeper so as to accommodate the diameter of the conductor. Place onto the conductor to check for proper fit. Based on the damper placement recommendation, the damper may be placed over the Armor Rods, over AGS rods, or placed on bare conductor.



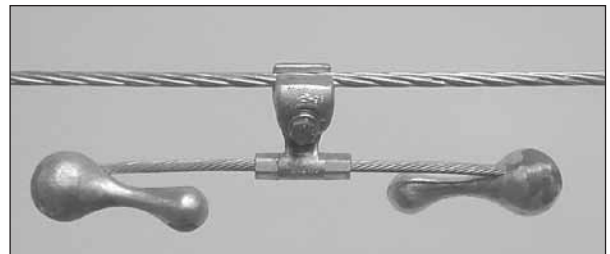
Step #3 Center the damper at the proper distance (a tolerance of 2 inches is allowed) and tighten the bolt according to the torque recommendations provided on the back of these instructions. **Note:** If shear head bolts have been provided, just tighten until the bolt head shears off.



Step #2 Using the placement recommendations provided by PLP or the Placement Software, measure the appropriate distance from the suspension's center line or the end of the dead end clamp itself. A damper placement chart is provided on the back of these instructions.

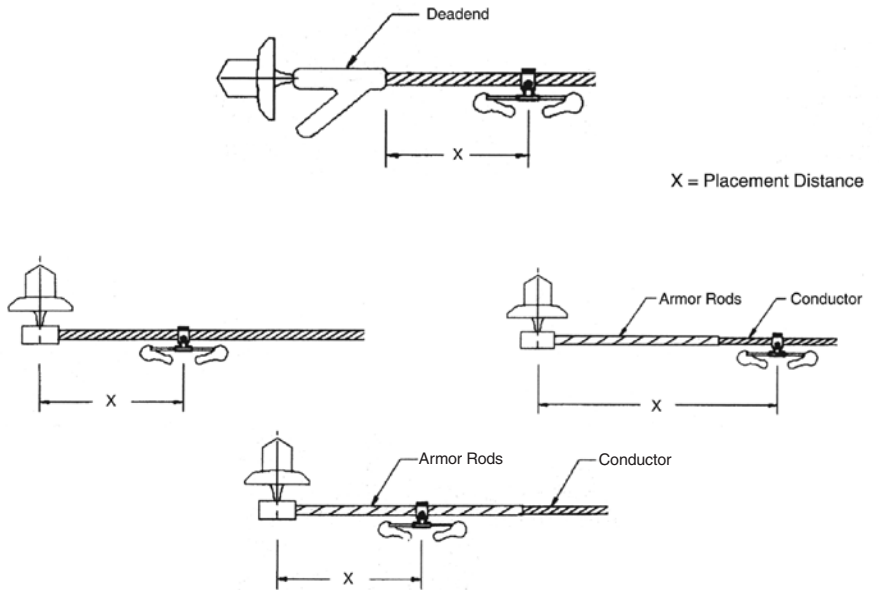


Step #4 Completed installation.

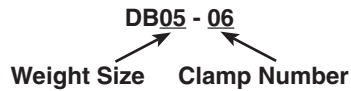


TORQUE RECOMMENDATIONS	
CLAMP NUMBER	TORQUE FT-LBS
06	20
08	20
12	25
15	25
18	25
21	25
24	25
27	30
30	30
34	40
38	40
42	40

Damper Placement Chart (Typical Configurations)



Catalog Number Nomenclature



Contact PLP for placement recommendations

SAFETY CONSIDERATIONS

This application procedure is not intended to supersede any company construction or safety standards. This procedure is offered only to illustrate safe application for the individual. **FAILURE TO FOLLOW THESE PROCEDURES MAY RESULT IN PERSONAL INJURY OR DEATH.**

Do not modify this product under any circumstances.

This product is intended for use by trained technicians only. **This product should not be used by anyone who is not familiar with, and not trained to use it.**

When working in the area of energized lines, extra care should be taken to prevent accidental electrical contact.

For proper performance and personal safety, be sure to select the proper size PREFORMED product before application.

PREFORMED products are precision devices. To insure proper performance, they should be stored in cartons under cover and handled carefully.



PREFORMED LINE PRODUCTS

P.O. Box 91129, Cleveland, Ohio 44101 • 440.461.5200 • www.preformed.com • e-mail: inquiries@preformed.com

SP3086

©2010 Preformed Line Products. All rights reserved.