



PREFORMED LINE PRODUCTS
The connection you can count on.

Compression Hardware Series For ACSR Conductors



COMMUNICATIONS



ENERGY



SPECIAL INDUSTRIES



SOLAR

CONTENTS

PAGE

4	COMPRESSION DEAD-END - CMPDE
5	COMPRESSION JUMPER TERMINAL - CMPTM
6	COMPRESSION DEAD-END ASSEMBLY - CMPDEJ
7	COMPRESSION SPLICE ASSEMBLY - CMPSP



COMPRESSION HARDWARE SERIES FOR ACSR CONDUCTORS



Compression Dead-end



Jumper Terminal



Compression Splice



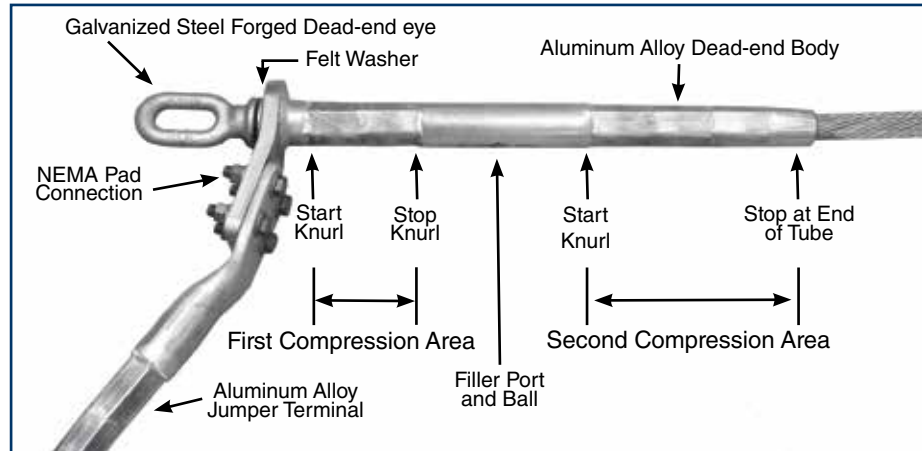
Electrical Testing



ANSI C119.4 Heat Cycle Testing



Corrosion Resistance & Conductive Stability



Background

Since 1947, PLP has provided superior products and services to the Power Utilities industry. As the inventor and initial manufacturer of helically preformed armor rods, PLP has expanded worldwide to include operations in Argentina, Australia, Brazil, Canada, China, England, Indonesia, Malaysia, Mexico, New Zealand, Poland, South Africa, Spain and Thailand. PLP's international operations have long offered standard hardware such as Stockbridge dampers, insulator string assembly products and compression dead-end/splice hardware, in some cases since the late 1940s.

This international manufacturing experience, coupled with PLP's domestic-based expertise in engineering, R&D and testing, helped launch its "Transmission Initiative" for the growing US market in 1999. The focus of the initiative is to reintroduce hardware that PLP previously offered such as the VARI-GRIP® Dead-ends, develop completely new technology, and improve existing international product base. PLP has successfully introduced new technology including the CUSHION-GRIP® Suspensions and Spacers, the THERMOLIGN® High Temperature Hardware, as well as updated and improved versions of standard hardware such as the VORTX™ Stockbridge Damper, a domestic line of insulator string hardware and Compression dead-ends and splices.

Product Features

All Compression Hardware

- High conductivity/high strength aluminum alloy outer tube
- Corrosion resistant high strength galvanized steel hardware with superior quality surface finish
- Field Proven Dual Stage Design
- Tested to ANSI C119.4 specifications. Contact PLP for reports
- Compatible with existing hardware, compression presses, dies, inhibitor (filler) compound, etc.
- Easy injection port for filler compound coupled with simple yet secure stainless steel ball capping system

- Special "graduated taper" aluminum tubes reduce conductor bending strains and aluminum strand fatigue
- Highly readable product catalog number, conductor name, compression die size, and installation instructions with "Stop/Start" knurls engraved directly on the hardware surface

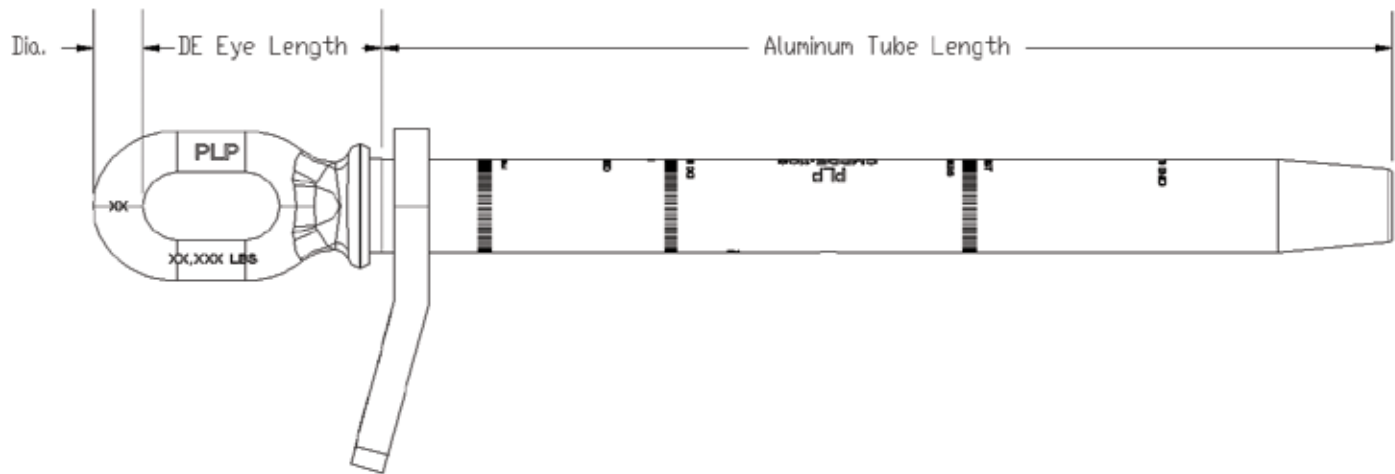
Dead-end Hardware Specific

- Precision forged high strength steel dead-end eye securely grips conductor core
- Double-sided, consistent and accurate pad joint welding that is designed to last the lifetime of the product
- Special felt washer seals dead-end eye and body
- Wax coating preserves NEMA connection pads in pristine condition until use
- High quality/properly sized bolt, nut, and washer hardware is designed to provide a stable and enduring electrical connection

Selection and Ordering Instruction

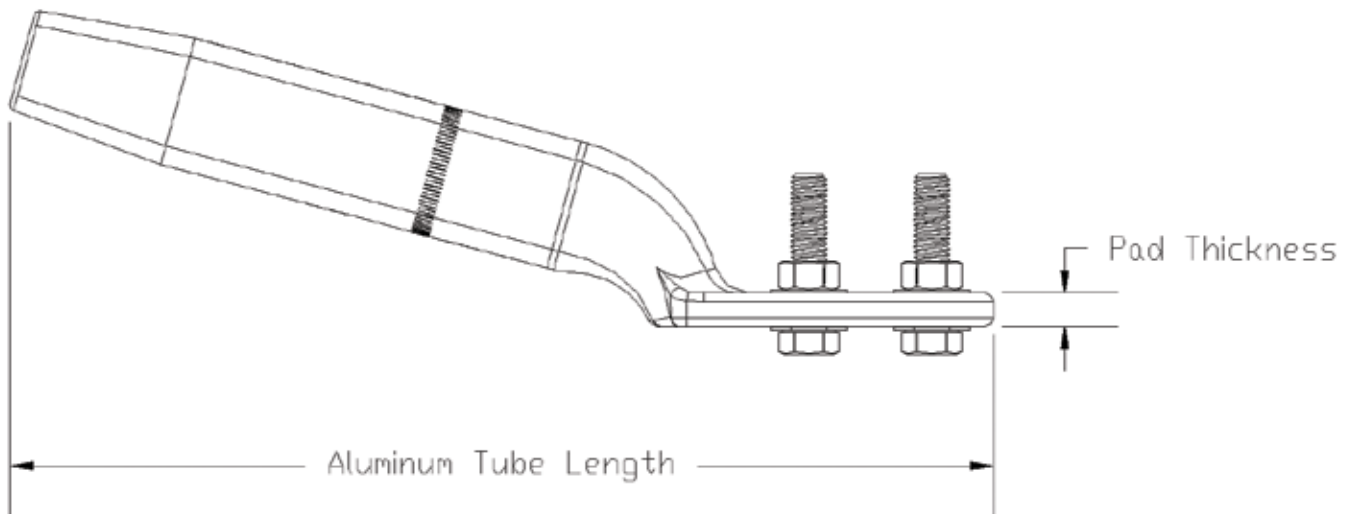
- The Compression Dead-end (**CMPDE**) and the Jumper Terminal (**CMPTM**) may be ordered separately or as a full assembly containing both components (**CMPDEJ**). To order these or the Compression Splice (**CMPSP**), simply select the appropriate "CMP" catalog number based upon the desired conductor size from the tables that follow.

Compression Hardware Series for ACSR Conductors Compression Dead-end - CMPDE



Dead-end Assembly Catalog Number	Conductor Information				Al. Body Part No.	Al. Die Size	Steel Eye Part No.	Steel Die Size	Dimensions		Wgt lbs	Pad Cfg.
	Code Word	Area	Al/St	Dia.					Al. Tube Length	DE Eye Length		
		kcml		in								
CMPDE-1063	Tern	795	45/7	1.063	74125	30AH	65595	10SH	21.4	5.2	8.1	4
CMPDE-1081	Redwing	715.5	30/19	1.081	74126	30AH	65762	16SH	21.4	5.6	9.7	4
CMPDE-1092	Cuckoo/Condor	795	24/7,54/7	1.092	74273	30AH	65763	12SH	20.2	5.6	8.9	4
CMPDE-1108	Drake	795	26/7	1.108	64892	30AH	65542	14SH	20.2	5.6	9.0	4
CMPDE-1131	Ruddy	900	45/7	1.131	74127	30AH	65765	10SH	21.8	5.2	8.2	4
CMPDE-1140	Skimmer/Mallard	795	30/7,30/19	1.140	74128	30AH	65766	16SH	21.8	5.6	9.7	4
CMPDE-1162	Canary	900	54/7	1.162	74129	30AH	65768	14SH	20.6	5.6	9.2	4
CMPDE-1165	Corncrake/Rail	954	20/7,45/7	1.165	74130	30AH	65769	10SH	20.6	5.6	8.9	4
CMPDE-1196	Redbird/Cardinal	954	24/7,54/7	1.196	74131	30AH	65770	14SH	20.8	5.6	9.3	4
CMPDE-1203	Snowbird	1033.5	42/7	1.203	74132	30AH	65771	10SH	20.8	5.6	9.0	4
CMPDE-1212	Ortolan	1033.5	45/7	1.212	74133	34AH	65703	10SH	20.9	5.6	10.4	4
CMPDE-1245	Curlew	1033.5	54/7	1.245	74134	34AH	65772	14SH	22.5	5.6	11.1	4
CMPDE-1248	Canvasback	954	30/19	1.248	74135	34AH	65773	18SH	22.5	5.7	12.6	4
CMPDE-1259	Bluejay	1113	45/7	1.259	74136	34AH	65695	12SH	22.5	5.6	11.0	4
CMPDE-1293	Finch	1113	54/19	1.293	74137	34AH	65774	14SH	22.8	5.6	11.3	4
CMPDE-1302	Bunting	1192.5	45/7	1.302	74138	34AH	65693	12SH	22.8	5.6	11.1	4
CMPDE-1338	Grackle	1192.5	54/19	1.338	74139	36AH	65775	14SH	23.1	5.7	13.1	4
CMPDE-1345	Bittern	1272	45/7	1.345	74140	36AH	65687	12SH	23.1	5.6	12.0	4
CMPDE-1504	Lapwing	1590	45/7	1.504	74147	40AH	65683	12SH	24.3	5.7	14.5	4
CMPDE-1505	Parrot	1510	54/19	1.505	74148	40AH	65782	16SH	24.3	5.7	15.0	4
CMPDE-1545	Falcon	1590	54/19	1.545	74149	40AH	65675	18SH	25.5	5.8	16.4	4
CMPDE-1602	Chukar	1780	84/19	1.602	74150	42AH	65539	14SH	25.5	5.8	17.6	4

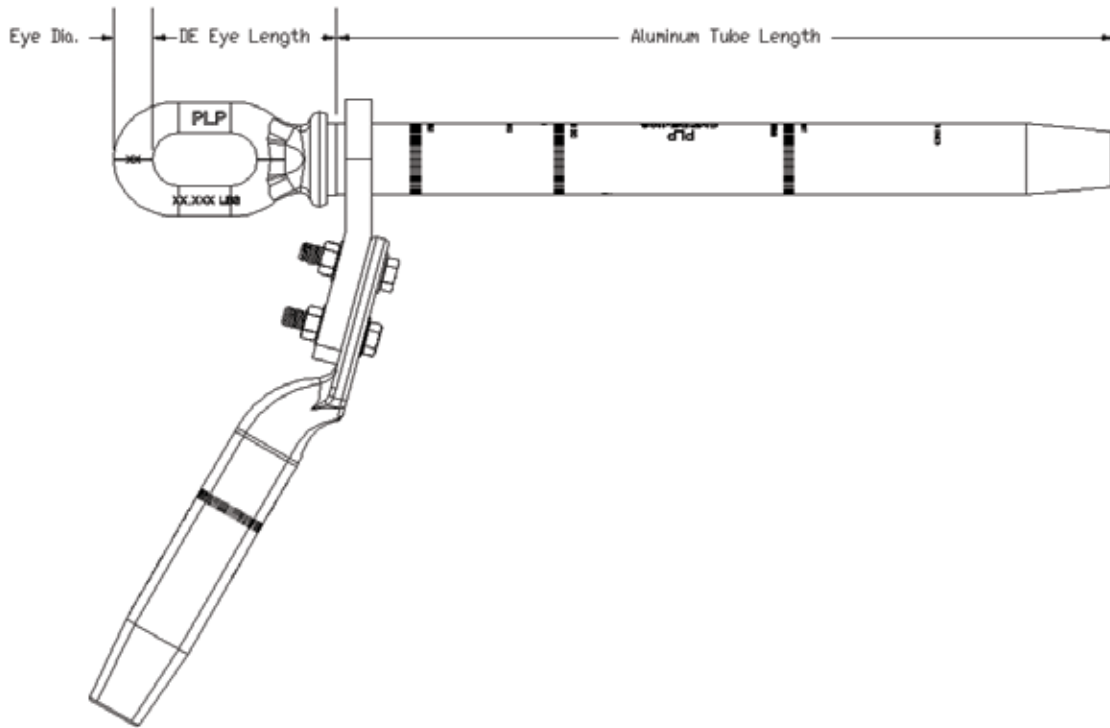
Compression Hardware Series for ACSR Conductors Compression Jumper Terminal - CMPTM



Terminal Assembly Catalog Number	Conductor Information				Al. Body Part No.	Al. Die Size	Dimensions		Wgt lbs	Pad Cfg.
	Code Word	Area	Al/St	Dia.			Al. Tube Length	Pad Thickness		
		kcmil		in						
CMPTM-1063	Tern	795	45/7	1.063	74195	30AH	14.3	0.5	2.5	4
CMPTM-1081	Redwing	715.5	30/19	1.081	74196	30AH	14.3	0.5	2.5	4
CMPTM-1092	Cuckoo/Condor	795	24/7,54/7	1.092	74197	30AH	14.3	0.5	2.5	4
CMPTM-1108	Drake	795	26/7	1.108	64893	30AH	14.3	0.5	2.5	4
CMPTM-1131	Ruddy	900	45/7	1.131	74198	30AH	15.1	0.5	2.6	4
CMPTM-1140	Skimmer/Mallard	795	30/7,30/19	1.140	74199	30AH	15.1	0.5	2.6	4
CMPTM-1162	Canary	900	54/7	1.162	74200	30AH	15.1	0.5	2.7	4
CMPTM-1165	Corncrake/Rail	954	20/7,45/7	1.165	74201	30AH	15.1	0.5	2.7	4
CMPTM-1196	Redbird/Cardinal	954	24/7,54/7	1.196	74202	30AH	15.3	0.5	2.7	4
CMPTM-1203	Snowbird	1033.5	42/7	1.203	74203	30AH	15.3	0.5	2.7	4
CMPTM-1212	Ortolan	1033.5	45/7	1.212	74204	34AH	15.7	0.6	3.7	4
CMPTM-1245	Curlew	1033.5	54/7	1.245	74205	34AH	16.0	0.6	3.8	4
CMPTM-1248	Canvasback	954	30/19	1.248	74206	34AH	16.0	0.6	3.8	4
CMPTM-1259	Bluejay	1113	45/7	1.259	74207	34AH	16.0	0.6	3.8	4
CMPTM-1293	Finch	1113	54/19	1.293	74208	34AH	16.1	0.6	3.6	4
CMPTM-1302	Bunting	1192.5	45/7	1.302	74209	34AH	16.1	0.6	3.6	4
CMPTM-1338	Grackle	1192.5	54/19	1.338	74210	36AH	16.5	0.6	4.2	4
CMPTM-1345	Bittern	1272	45/7	1.345	74211	36AH	16.5	0.6	4.2	4
CMPTM-1504	Lapwing	1590	45/7	1.504	74218	40AH	16.7	0.7	4.8	4
CMPTM-1505	Parrot	1510	54/19	1.505	74219	40AH	16.7	0.7	4.8	4
CMPTM-1545	Falcon	1590	54/19	1.545	74220	40AH	16.9	0.7	4.9	4
CMPTM-1602	Chukar	1780	84/19	1.602	74221	42AH	17.0	0.8	5.6	4



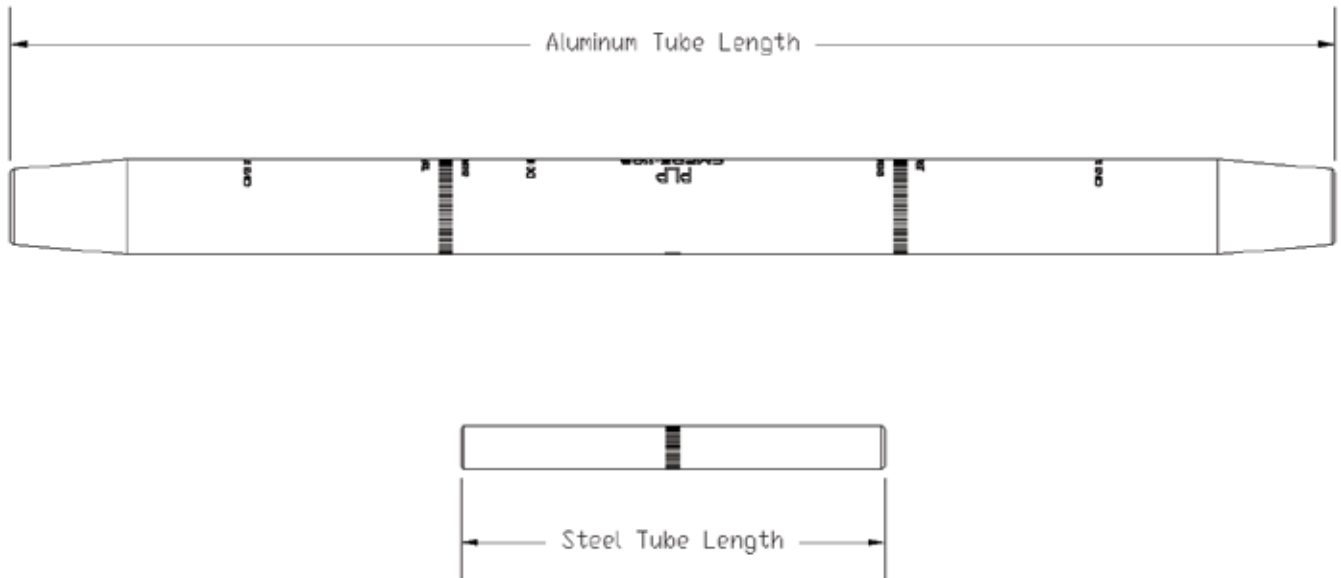
Compression Hardware Series for ACSR Conductors Compression Dead-end Assembly - CMPDEJ



Full DE w/ TM Assembly Catalog Number	Conductor Information				Al. Body Part No.	Al. Die Size	Steel Eye Part No.	Steel Die Size	Dimensions		Wgt lbs	Pad Cfg.
	Code Word	Area	Al/St	Dia.					Al. Tube Length	DE Eye Length		
		kcml		in								
CMPDEJ-1063	Tern	795	45/7	1.063	74125	30AH	65595	10SH	21.4	5.2	10.6	4
CMPDEJ-1081	Redwing	715.5	30/19	1.081	74126	30AH	65762	16SH	21.4	5.6	12.2	4
CMPDEJ-1092	Cuckoo/Condor	795	24/7,54/7	1.092	74273	30AH	65763	12SH	20.2	5.6	11.3	4
CMPDEJ-1108	Drake	795	26/7	1.108	64892	30AH	65542	14SH	20.2	5.6	11.5	4
CMPDEJ-1131	Ruddy	900	45/7	1.131	74127	30AH	65765	10SH	21.8	5.2	10.8	4
CMPDEJ-1140	Skimmer/Mallard	795	30/7,30/19	1.140	74128	30AH	65766	16SH	21.8	5.6	12.4	4
CMPDEJ-1162	Canary	900	54/7	1.162	74129	30AH	65768	14SH	20.6	5.6	11.8	4
CMPDEJ-1165	Corncrake/Rail	954	20/7,45/7	1.165	74130	30AH	65769	10SH	20.6	5.6	11.5	4
CMPDEJ-1196	Redbird/Cardinal	954	24/7,54/7	1.196	74131	30AH	65770	14SH	20.8	5.6	11.9	4
CMPDEJ-1203	Snowbird	1033.5	42/7	1.203	74132	30AH	65771	10SH	20.8	5.6	11.6	4
CMPDEJ-1212	Ortolan	1033.5	45/7	1.212	74133	34AH	65703	10SH	20.9	5.6	14.2	4
CMPDEJ-1245	Curlew	1033.5	54/7	1.245	74134	34AH	65772	14SH	22.5	5.6	14.9	4
CMPDEJ-1248	Canvasback	954	30/19	1.248	74135	34AH	65773	18SH	22.5	5.7	16.4	4
CMPDEJ-1259	Bluejay	1113	45/7	1.259	74136	34AH	65695	12SH	22.5	5.6	14.8	4
CMPDEJ-1293	Finch	1113	54/19	1.293	74137	34AH	65774	14SH	22.8	5.6	14.9	4
CMPDEJ-1302	Bunting	1192.5	45/7	1.302	74138	34AH	65693	12SH	22.8	5.6	14.7	4
CMPDEJ-1338	Grackle	1192.5	54/19	1.338	74139	36AH	65775	14SH	23.1	5.7	17.3	4
CMPDEJ-1345	Bittern	1272	45/7	1.345	74140	36AH	65687	12SH	23.1	5.6	16.2	4
CMPDEJ-1504	Lapwing	1590	45/7	1.504	74147	40AH	65683	12SH	24.3	5.7	19.3	4
CMPDEJ-1505	Parrot	1510	54/19	1.505	74148	40AH	65782	16SH	24.3	5.7	19.8	4
CMPDEJ-1545	Falcon	1590	54/19	1.545	74149	40AH	65675	18SH	25.5	5.8	21.3	4
CMPDEJ-1602	Chukar	1780	84/19	1.602	74150	42AH	65539	14SH	25.5	5.8	23.2	4



Compression Hardware Series for ACSR Conductors Compression Splice Assembly - CMPSP



Splice Assembly Catalog Number	Conductor Information				Al. Body Part No.	Al. Die Size	Steel Splice Part No.	Steel Die Size	Dimensions		Wgt lbs
	Code Word	Area	Al/St	Dia.					Al. Tube Length	Steel Tube Length	
		kcmil		in							
CMPSP-1063	Tern	795	45/7	1.063	74266	30AH	65595	12SH	27.9	8.5	5.1
CMPSP-1081	Redwing	715.5	30/19	1.081	74267	30AH	65762	12SH	27.9	8.5	5.1
CMPSP-1092	Cuckoo/ Condor	795	24/7,54/7	1.092	74268	30AH	65763	12SH	26.1	8.5	4.8
CMPSP-1108	Drake	795	26/7	1.108	64894	30AH	65542	12SH	26.1	8.5	4.8
CMPSP-1131	Ruddy	900	45/7	1.131	74269	30AH	65765	12SH	28.7	8.5	5.1
CMPSP-1140	Skimmer/ Mallard	795	30/7,30/19	1.140	74270	30AH	65766	12SH	28.7	8.5	5.1
CMPSP-1162	Canary	900	54/7	1.162	74271	30AH	65768	12SH	26.9	8.5	4.9
CMPSP-1165	Corncrake/Rail	954	20/7,45/7	1.165	74272	30AH	65769	12SH	26.9	8.5	4.8
CMPSP-1196	Redbird/ Cardinal	954	24/7,54/7	1.196	74274	30AH	65770	12SH	27.5	8.5	4.9
CMPSP-1203	Snowbird	1033.5	42/7	1.203	74275	30AH	65771	12SH	27.5	8.5	4.9
CMPSP-1212	Ortolan	1033.5	45/7	1.212	74276	34AH	65703	14SH	27.7	8.5	6.9
CMPSP-1245	Curlew	1033.5	54/7	1.245	74277	34AH	65772	14SH	30.3	8.5	7.4
CMPSP-1248	Canvasback	954	30/19	1.248	74278	34AH	65773	14SH	30.3	8.5	7.4
CMPSP-1259	Bluejay	1113	45/7	1.259	74279	34AH	65695	14SH	30.3	8.5	7.3
CMPSP-1293	Finch	1113	54/19	1.293	74280	34AH	65774	14SH	30.9	8.5	7.2
CMPSP-1302	Bunting	1192.5	45/7	1.302	74281	34AH	65693	14SH	30.9	8.5	7.2
CMPSP-1338	Grackle	1192.5	54/19	1.338	74282	36AH	65775	14SH	31.5	8.5	8.1
CMPSP-1345	Bittern	1272	45/7	1.345	74283	36AH	65687	14SH	31.5	8.5	8.1
CMPSP-1504	Lapwing	1590	45/7	1.504	74290	40AH	65683	16SH	33.9	10.3	10.6
CMPSP-1505	Parrot	1510	54/19	1.505	74291	40AH	65782	16SH	33.9	10.3	10.6
CMPSP-1545	Falcon	1590	54/19	1.545	74292	40AH	65675	16SH	45.3	10.3	13.2
CMPSP-1602	Chukar	1780	84/19	1.602	74293	42AH	65539	16SH	45.3	10.3	15.0



PREFORMED
LINE PRODUCTS

World Headquarters
660 Beta Drive
Cleveland, Ohio 44143

Mailing Address:
P.O. Box 91129
Cleveland, Ohio 44101

Telephone: 440.461.5200
Fax: 440.442.8816
Web Site: www.preformed.com
E-mail: inquiries@preformed.com

© 2013 Preformed Line Products
Printed in U.S.A.
EN-CA-1009-1
03-13-1M