

FIBERLIGN® Vertical Cable Storage Assemblies

Be sure to read and completely understand this procedure before applying product. Be sure to select the proper PREFORMED™ product before application.

This procedure explains the application of Accessory Kit #8003493, #8003503, #8003503B1, and #8003503LTC1

Kit #8003493 and #8003503B1 accept 1-1/4" (31 mm) maximum width banding. Proper size and strength banding assemblies may be purchased separately from other suppliers.

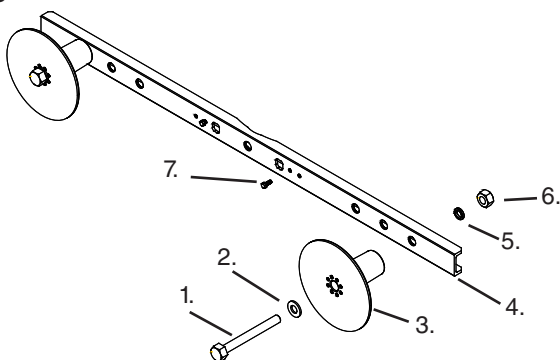
Exploded view sketches of each product kit are shown in figures 1 through 4. These kits may be combined to conform to various applications. See pages 2 and 3 for examples of kit combinations.

VERTICAL CABLE STORAGE ASSEMBLY KIT #8003493:

KIT CONTENTS (See Figure 1 exploded view)

1. 2 ea. Hex Head Bolt 5/8"-11 x 6" long (16 mm x 152 mm)
2. 2 ea. Round Washer 5/8" (16 mm)
3. 2 ea. Spool
4. 1 ea. Crossarm
5. 2 ea. Lock Washer 5/8" (16 mm)
6. 2 ea. Hex Nut 5/8"-11 (16 mm)
7. 2 ea. Hex Head Self Tap Screw *

Figure 1



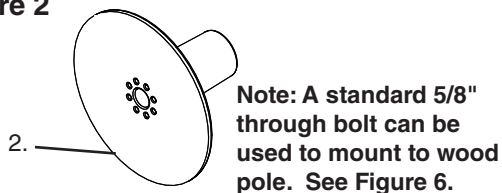
*Item 7 used for COYOTE Defender (Figure 10)—Not required for other applications.

CABLE STORAGE SPOOL #8003503:

Kit Contents (see Figure 2)

1. 1 ea. Spool

Figure 2

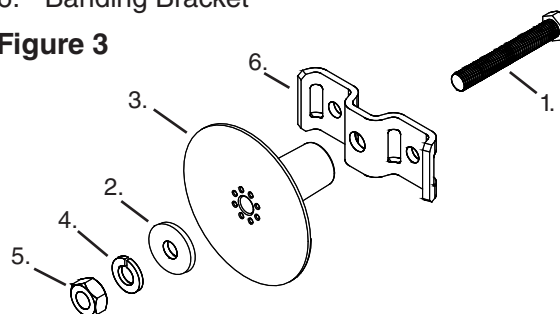


CABLE STORAGE SPOOL W/ Banding Bracket #8003503B1:

KIT CONTENTS (See Figure 3 exploded view)

1. Bolt 5/8"-11 x 6" (16 mm x 152 mm) long
2. Round Washer 5/8" (16 mm)
3. Spool
4. Lock Washer 5/8" (16 mm)
5. Hex Nut 5/8"-11 (16 mm)
6. Banding Bracket

Figure 3

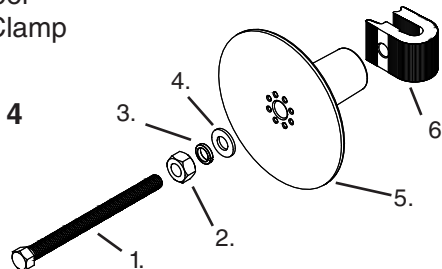


CABLE STORAGE SPOOL & Lattice Tower Clamp #8003503LTC1:

KIT CONTENTS (See Figure 4 exploded view)

1. Bolt 5/8"-11 x 6" (16 mm x 152 mm) long
2. Hex Nut 5/8"-11 (16 mm)
3. Lock Washer 5/8" (16 mm)
4. Round Washer 5/8" (16 mm)
5. Spool
6. C-Clamp

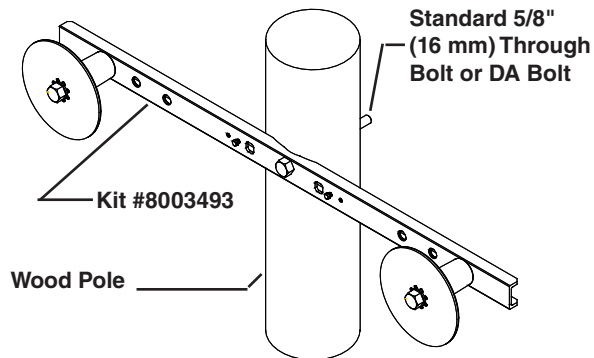
Figure 4



EXAMPLE APPLICATIONS OF FIBERLIGN® VERTICAL CABLE STORAGE ASSEMBLIES:

SINGLE ARM APPLICATION:

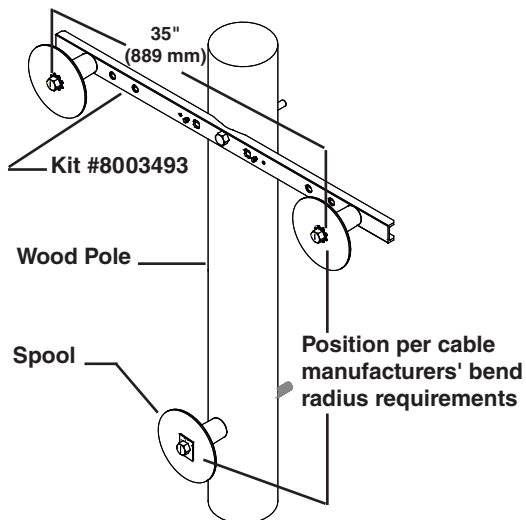
Figure 5



The Crossarm can be bolted (shown) or banded to the structure. Bands, through bolts, or double arming bolts used to mount to the structure are not included with the kit.

TRIPLE SPOOL / SINGLE ARM APPLICATION:

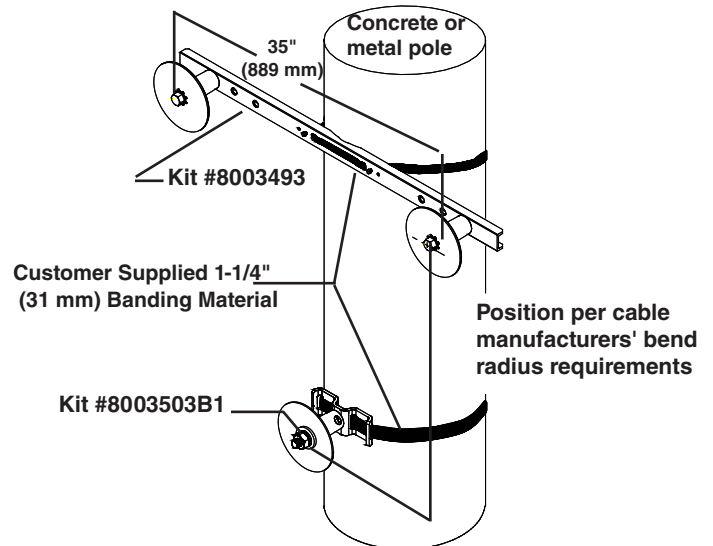
Figure 6



Standard 5/8" (16 mm) mounting hardware (Through Bolt or Double Arming Bolt) used to mount to the structure is not included with kit.

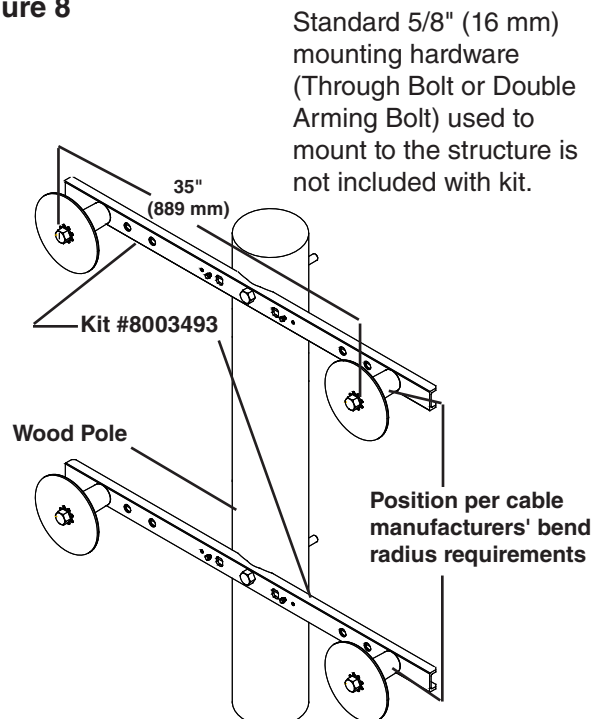
BANDED TRIPLE SPOOL / SINGLE ARM APPLICATION:

Figure 7



DOUBLE ARM APPLICATION:

Figure 8

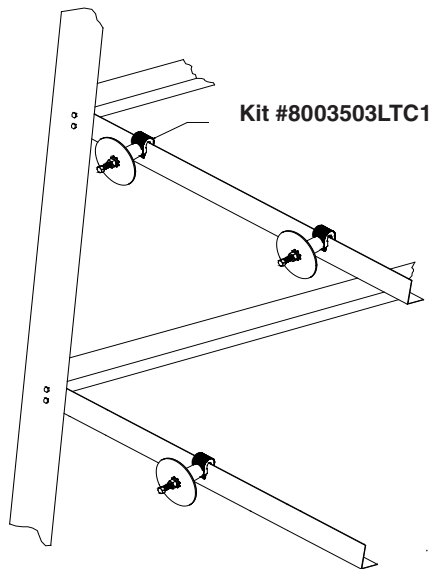


Standard 5/8" (16 mm) mounting hardware (Through Bolt or Double Arming Bolt) used to mount to the structure is not included with kit.

**EXAMPLE APPLICATIONS OF FIBERLIGN® VERTICAL CABLE STORAGE ASSEMBLIES,
Continued:**

**LATTICE TOWER CLAMPED TRIPLE
SPOOL APPLICATION:**

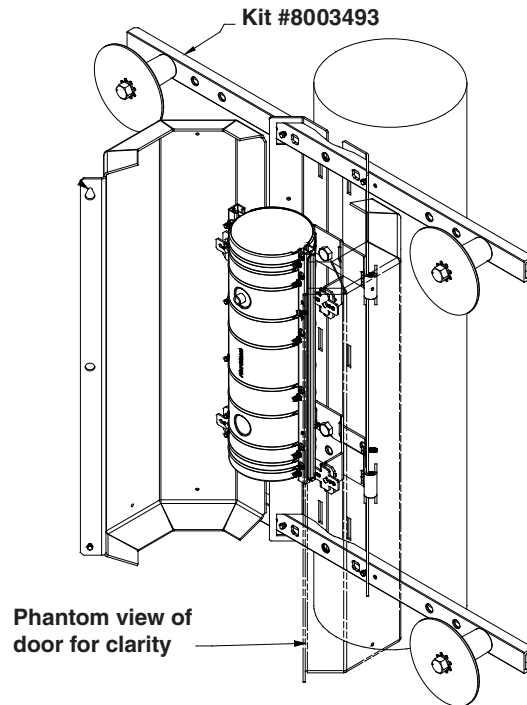
Figure 9



Note: Secure the C-Clamp by tightening the 5/8" (16 mm) bolt against the structure first, then secure the spool with the 5/8" (16 mm) nut. Refer to Figure 4 for closer view of the bolt (Item 1) and nut (Item 2) and C-Clamp (item 6).

**COYOTE® DEFENDER DOUBLE ARM
APPLICATION:**

Figure 10



Note: The COYOTE® Defender (a protective case for fiber optic splice cases) can accept up to two Vertical Cable Assemblies (Kit #8003493) as shown.

SAFETY CONSIDERATIONS

This application procedure is not intended to supersede any company construction or safety standards. This procedure is offered only to illustrate safe application for the individual. **FAILURE TO FOLLOW THESE PROCEDURES MAY RESULT IN PERSONAL INJURY OR DEATH.**

Do not modify this product under any circumstances, unless specifically stated in this procedure.

This product is intended for use by trained technicians only. **This product should not be used by anyone who is not familiar with, and not trained to use it.**

When working in the area of energized lines, extra care should be taken to prevent accidental electrical contact.

For proper performance and personal safety, be sure to select the proper size PREFORMED™ product before application.

PREFORMED products are precision devices. To insure proper performance, they should be stored in cartons under cover and handled carefully.



PREFORMED LINE PRODUCTS

P.O. BOX 91129, CLEVELAND, OHIO 44101 (440) 461-5200 www.preformed.com

SP2915-2