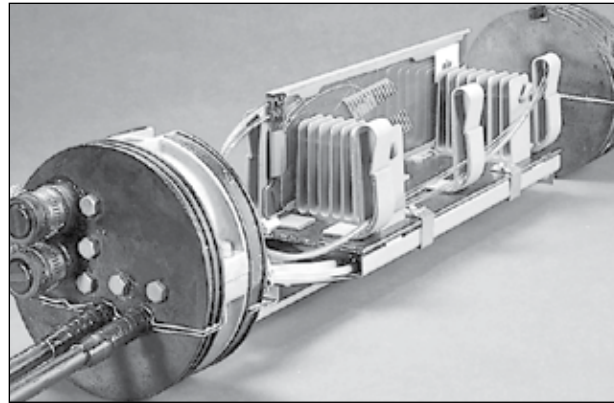




FIBERLIGN® UNI-CLOSURE

The Versatile, Re-enterable Closure Engineered for Unitube or Loose Buffer Tube Fiber Optic Cable Installation

The FIBERLIGN UNI-CLOSURE provides an airtight, watertight system that is designed to protect, store, route and organize fibers from unitube or buffer tube cables in any environment. Whether you are splicing cable above or below ground, the FIBERLIGN UNI-CLOSURE is designed to provide an airtight seal in wet, dry, cold or hot weather.



Available in three sizes, 6.5" x 28" (165 x 711 mm), 8.0" x 28" (203 x 711 mm), and 9.5" x 28" (241 x 711 mm), the FIBERLIGN UNI-CLOSURE accommodates 8-16 splice trays (see Splice Tray Capacity chart), each of which protects, secures, and organizes up to 12 or 18 fiber splices. Splice Trays are also available for protected mass fusion splices, and mass mechanical connectors. The transition tray allows you to store excess fiber for easy fiber count changes in the future.

Splice Tray Capacity	
6.5" x 28" (165 x 711 mm)	8
8.0" x 28" (203 x 711 mm)	10
9.5" x 28" (241 x 711 mm)	16

FIBERLIGN® UNI-CLOSURE

FIBERLIGN UNI-CLOSURE

Design Features:

Future Cable Entry with Factory-Installed Cable Entrance Ports:

The FIBERLIGN UNI-CLOSURE utilizes End Plates made from engineered plastic filled with rigid polyurethane foam. The 6.5" x 28" (165 x 721 mm) and the 8.0" x 28" (203 x 721 mm) FIBERLIGN UNI-CLOSURES are designed to have three cable entries drilled on-site with the Power End Plate Cutter. These closures are also equipped with two factory-installed cable ports for future cable entry. This allows for easy grounding, simple strength member tie-off, and easy installation of future cables. The 9.5" x 28" (241 x 721 mm) FIBERLIGN UNI-CLOSURE is designed for eight field-drilled cable entries without any factory-installed cable ports. A replacement End Plate is available for the 9.5" x 28" (241 x 721 mm) FIBERLIGN UNI-CLOSURE with four factory-installed cable ports and room for eight field-drilled cable entries.

LOCKBAR™ Fastening

The LOCKBAR System utilizes front and back bars that fit into the flanges on both the Splice Case and the inner closure assembly. With factory-assembled nuts and bolts, and special sizing, no special tools are needed for installation. This simplified installation, saves time, and allows for easy re-entry without using re-entry kits.

Transition Tray and Organizer Ensure the Integrity of Fibers:

This uniquely engineered and field proven assembly accommodates continuous and cut fibers. The transition tray is designed to allow ample room for storing fiber. It provides a generous bending radius designed to assure long-term optical performance.

6.5" (165 mm) FIBERLIGN UNI-CLOSURE	
IF UNITUBE CABLE IS:	ORGANIZER WILL ACCOMMODATE:
1. Continuous Loop (uncut cable)	-Ribbon type 72 fibers -Loose fiber type 96 fibers -Loose buffer tube 96 fibers
2. Cut Cables	-Ribbon type 144 fibers -Loose fiber 96 fibers -Loose buffer tube 96 fibers
8" (203 mm) FIBERLIGN UNI-CLOSURE	
IF UNITUBE CABLE IS:	ORGANIZER WILL ACCOMMODATE:
1. Continuous Loop (uncut cable)	-Ribbon type 144 fibers -Loose fiber type 216 fibers -Loose buffer tube 216 fibers
2. Cut Cable	-Ribbon type 216 fibers -Loose fiber 216 fibers -Loose buffer tube 216 fibers
9.5" (241 mm) FIBERLIGN UNI-CLOSURE	
IF UNITUBE CABLE IS:	ORGANIZER WILL ACCOMMODATE:
1. Continuous Loop (uncut cable)	-Ribbon type 288 fibers -Loose fiber type 384 fibers -Loose buffer tube 288 fibers
2. Cut Cables	-Ribbon type 432 fibers -Loose fiber 432 fibers -Loose buffer tube 384 fibers

FIBERLIGN UNI-CLOSURE Ordering Chart	
Catalog Number	Dimensions (mm)
8006443	6.5" x 28" (165 x 721) FIBERLIGN UNI-CLOSURE for butt splice applications. Includes: One Two-Section End Plate, one Three-Section End Plate with two factory-installed cable ports [for future cable entry, cables up to 0.8" (20) diameter], five bonding/grounding inserts, five "L" brackets for cable shield isolation/strength member tie-off, organizer, transition compartment and transport tubes.
8006450	8.0" x 28" (203 x 721) FIBERLIGN UNI-CLOSURE for butt splice applications. Includes: one Two-Section End Plate, one Three-Section End Plate with two factory-installed cable ports [for future cable entry, cables up to 0.8" (20) diameter], five bonding/grounding inserts, five "L" brackets for cable shield isolation/strength member tie-off, organizer, transition compartment and transport tubes.
8006542	9.5" x 28" (241 x 721) FIBERLIGN UNI-CLOSURE for butt splice applications. Includes: one Two-Section End Plate, one Three-Section End Plate with eight bonding/grounding inserts (no factory-installed cable ports), eight "L" brackets for cable shield isolation/strength member tie-off, organizer, transition compartment and transport tubes.



FIBERLIGN® UNI-CLOSURE

Splice Trays

Splice Trays for the FIBERLIGN UNI-CLOSURE are 13" 330 mm) long by 3¹⁵/₁₆" (100 mm) wide. There are now two types of trays offered. The Standard Tray is available for all UNI-CLOSURES and for all splicing applications. Standard Trays are fully-lined to cushion fibers and provide a contrasting background when selecting or matching varied colored fibers. The ADOBE™ Splice Tray is available as a lower cost alternative and is interchangeable with many of the Standard Trays. Both versions come with a clear snap-on cover, felt tape for protecting buffer tubes, and tie wraps to secure the buffer tubes to the trays.

FIBERLIGN UNI-CLOSURE Splice Tray Ordering Chart (mm)						
Catalog Number	Splice Type for:	Maximum No. of Trays per Closure			Splice Tray Capacity	
		6.5" (165)	8.0" (203)	9.5" (241)		
8001041	3M Fibrok	8	10	16	12	S
8001098	Amp FingerSplice Siecor CamSplice Northern Telecom Lightbridge	8	10	16	12	A
8001085	Protected Mass Fusion Splice	8	10	16	48	S
8001021	Protected Fusion Amp Optimate Norland	8	10	16	12	S
8001044		8	10	16	18	S
8001096		8	10	16	18	A

(A) signifies ADOBE™ Splice Tray

(S) signifies a standard size thermal-formed splice tray

FIBERLIGN UNI-CLOSURE Replacement End Plates and Accessories	
Catalog Number	Description (mm)
8003178	6.5" (165) Diameter Three-Section End Plate with five bonding/grounding inserts, two factory-installed cable ports (for future cable entry, cables up to 0.8" diameter) supplied with five "L" brackets for cable shield isolation/strength member tie-off.
8003213	8.0" (203) Diameter Three-Section End Plate with five bonding/grounding inserts, two factory-installed cable ports [for future cable entry, cables up to 0.8" (20) diameter] supplied with five "L" brackets for cable shield isolation/strength member tie-off.
8003226	6.5" (165) Diameter Three-Section End Plate with six bonding/grounding inserts (no factory-installed cable ports), supplied with six "L" brackets for cable shield isolation/strength member tie-off.
8003227	8" (165) Diameter Three-Section End Plate with six bonding/grounding inserts (no factory-installed cable ports), supplied with six "L" brackets for cable shield isolation/strength member tie-off.
80805166	9.5" (241) Diameter Three-Section End Plate with eight bonding/grounding inserts (four 3/4" Carrier inserts), supplied with eight "L" brackets for cable shield isolation/strength member tie-off.
80805120	9.5" (241) Diameter Three-Section End Plate with twelve bonding/grounding inserts (no factory-installed cable ports), supplied with eight "L" brackets for cable shield isolation/strength member tie-off.
8003175	L-Bracket Bonding Kit (4) bonding brackets and retainer clips
8003176	Transport tube kit [8 tubes, 34" long (863 mm)] for 6.5" x 28" (165 x 711 mm) and 8.0" x 28" (203 x 711 mm) closures.
8003265	Transport tube kit [8 tubes, 40" long (1016 mm)] for 9.5" x 28" (241 x 711 mm) closure