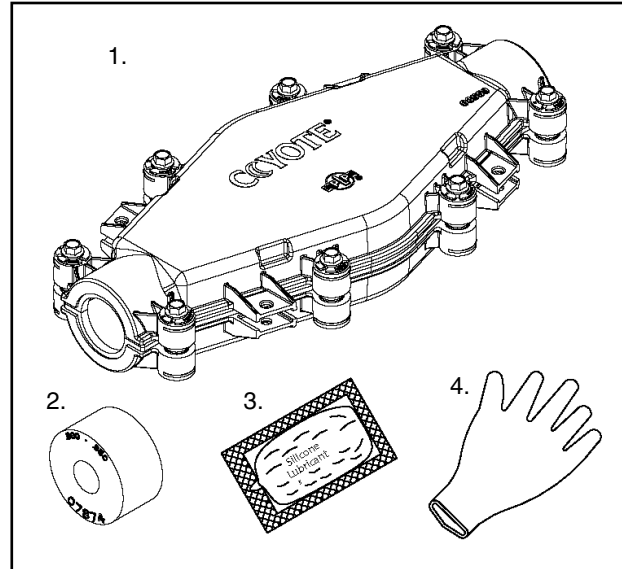




COYOTE® LCC for Coaxial Splice Applications

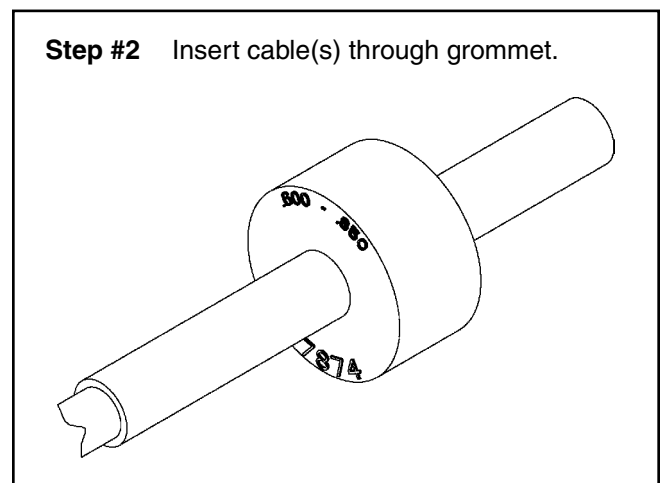
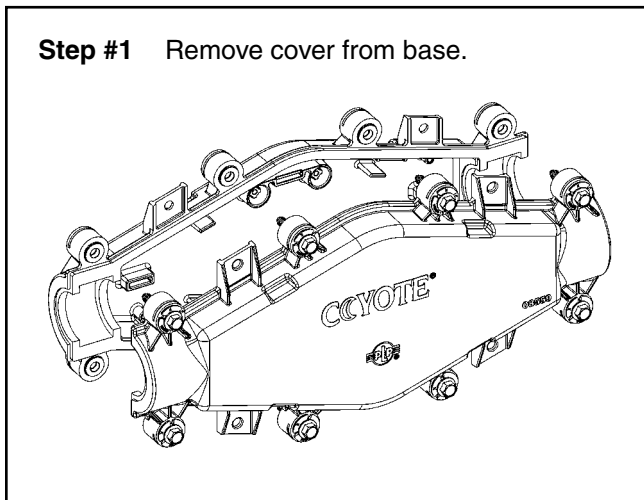
Be sure to read and completely understand this procedure before applying product. Be sure to select the proper PREFORMED product before application.



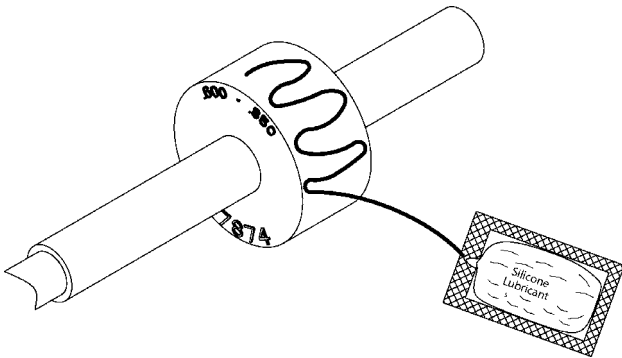
NOMENCLATURE

- 1. Closure Assembly (Cover and Base) (1)
- 2. Grommet (2)
- 3. Silicone Lubricant (4 five gram packets)
- 4. Disposable Glove

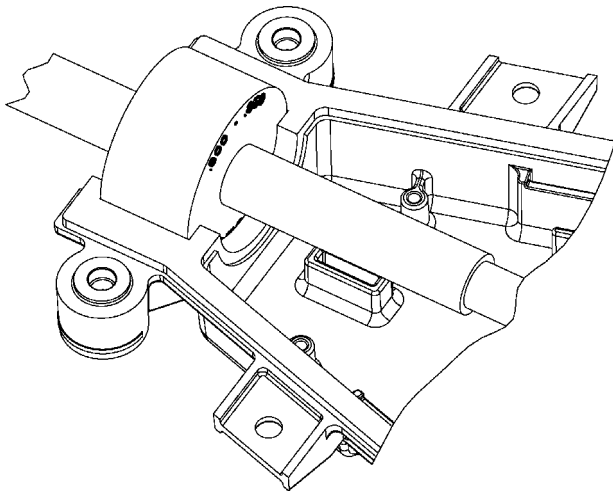
COYOTE Drop Closure Kits	
Catalog No.	Description
800012907	COYOTE LCC Closure Kit for Coaxial Splice Applications. Includes: (2) 1-Hole Grommets, (1) COYOTE Diameter Tape, (1) Disposable Glove (4) Silicone Lubricant packets
Mounting Brackets	
80808552	COYOTE Universal Mounting Bracket
8003832	COYOTE Universal Hanger Mounting Bracket
8003830	Pole/Wall Mount Bracket



Step #3 Apply a uniform layer of silicone lubricant to the outer surface of the grommet and into the grommet location in the closure base. Cover entire rubber sealing surface in base.

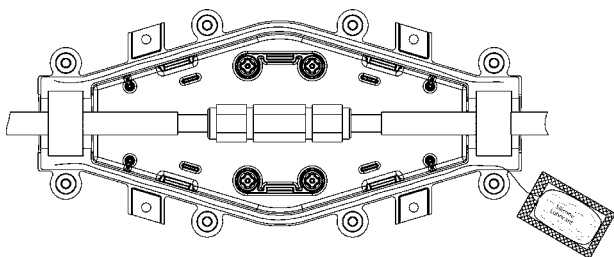


Step #4 Insert grommet into closure base.

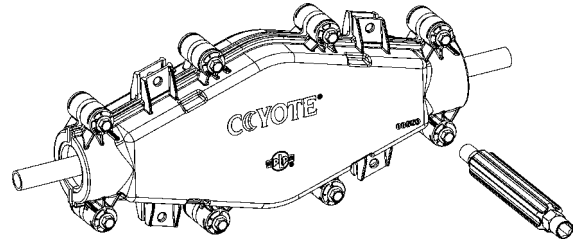


Step #5 Splice per your accepted company practice.

Step #6 Apply a uniform layer of silicone lubricant to all rubber sealing surfaces of the cover and the base.

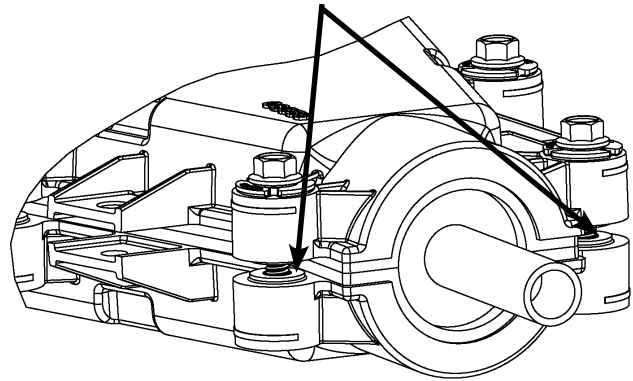


Step #7 Secure the cover to the base evenly, hand-tightening the 8 cover bolts with a 3/8" driver until cover is fully seated onto base.



Step #8 Make sure the cover and base surfaces are touching when verifying that the cover is fully seated on the base.

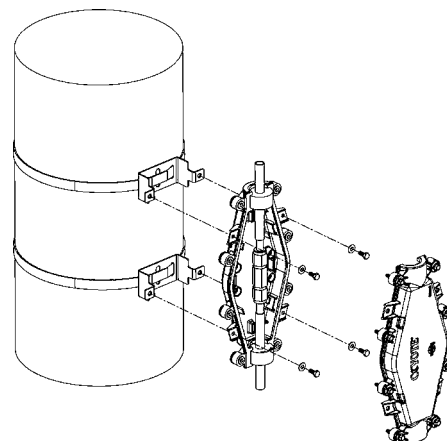
Surfaces that should be touching



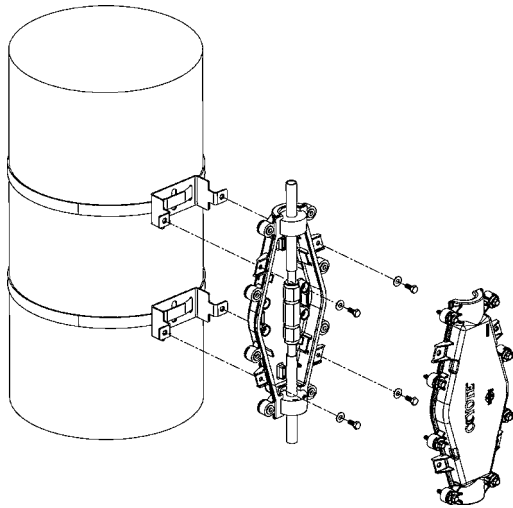
Step #9 Wait 15 minutes and retighten bolts to make sure the cover and base are seated properly.

MOUNTING OPTIONS

Step #10 Pole/Wall Mount – Strapped



Step #11 Pole/Wall Mount – Bolted



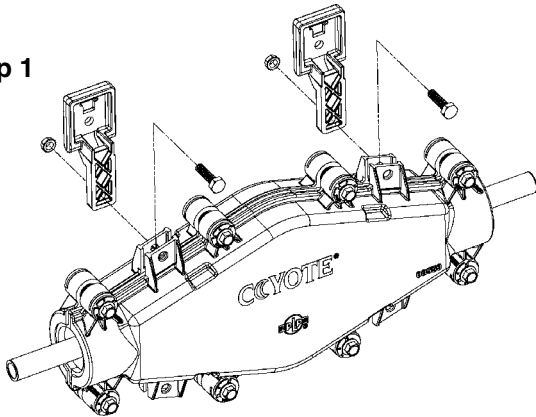
Step #13 COYOTE Universal Mounting Bracket for Hand Hole Applications.

The COYOTE LCC can be installed in a hand hole using the COYOTE Universal Mounting Bracket. (Step 1) Secure the Universal Mounting Bracket to the inner wall of the hand hole using 2 screws. (Step 2) Next, secure the hanger brackets to the outer surface of the tabs of the base of the COYOTE LCC with the hex head bolts and nuts provided. (NOTE: Make sure to install the hangers to the base before securing the cover to the base.) (Step 3) Lastly, slide the hanger bracket into the proper slots of the Universal Mounting Bracket and snap the hinged lid into place to secure the hanger brackets.

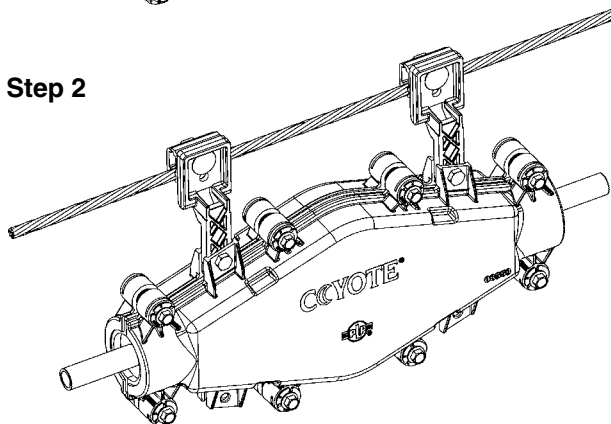
Step #12 COYOTE Universal Mounting Hanger Bracket for Aerial Applications.

The COYOTE LCC can be installed aerially using COYOTE Universal Mounting Hanger Brackets. (Step 1) To install the hanger brackets, slide the brackets between the tabs of the base and cover. Secure with the hex head bolts and nuts provided. (Step 2) Attach the closure to the strand with the bug nuts that are installed on the hanger brackets.

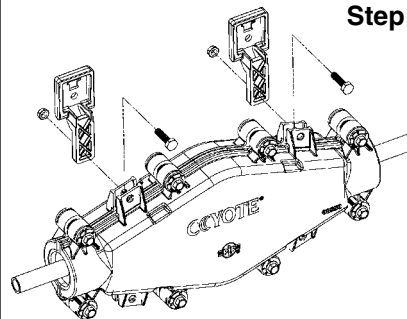
Step 1



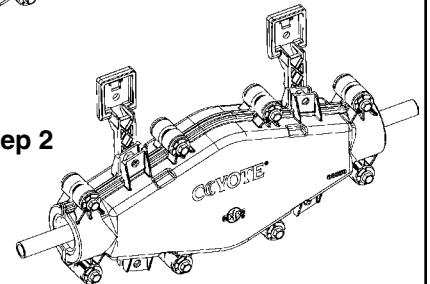
Step 2



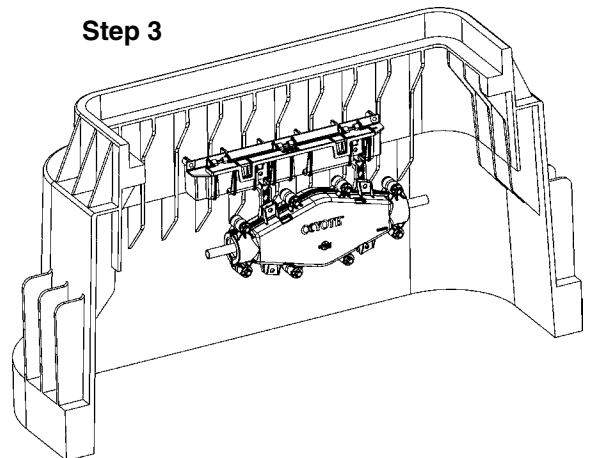
Step 1



Step 2



Step 3



SAFETY CONSIDERATIONS

This application procedure is not intended to supersede any company construction or safety standards. This procedure is offered only to illustrate safe application for the individual. **FAILURE TO FOLLOW THESE PROCEDURES MAY RESULT IN PERSONAL INJURY OR DEATH.**

Do not modify this product under any circumstances.

This product is intended for use by trained technicians only. **This product should not be used by anyone who is not familiar with, and not trained to use it.**

When working in the area of energized lines, extra care should be taken to prevent accidental electrical contact.

For proper performance and personal safety, be sure to select the proper size PREFORMED™ product before application.

PREFORMED products are precision devices. To insure proper performance, they should be stored in cartons under cover and handled carefully.



PREFORMED LINE PRODUCTS

P.O. Box 91129, Cleveland, Ohio 44101 • 440.461.5200 • www.preformed.com • e-mail: inquiries@preformed.com
SP3070