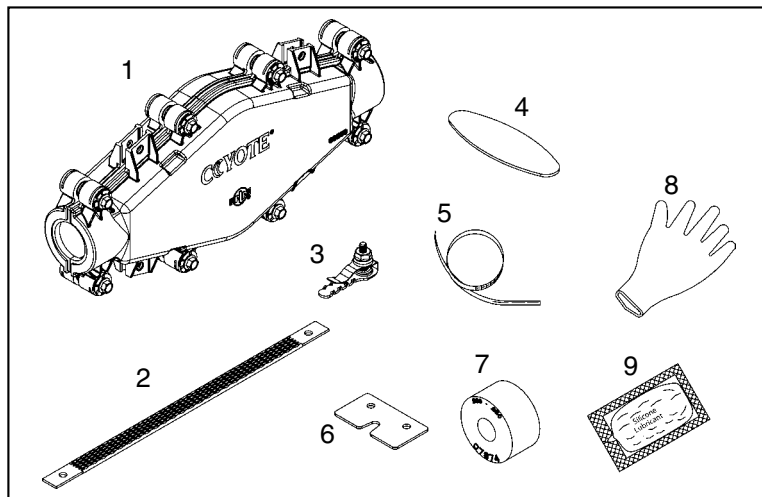




### COYOTE® LCC (Low Count Closure) for Copper Applications

Be sure to read and completely understand this procedure before applying product. Be sure to select the proper PREFORMED product before application.









**FIGURE 1: NOMENCLATURE**

- 1. Closure Assembly (Cover and Base) (1)
- 2. Bonding Bar (1)
- 3. MINI-MORAY™ Shield Connector (2)
- 4. Pair Protector (2)
- 5. COYOTE® Diameter Tape
- 6. Bonding Bridge (1)
- 7. Grommet (2) Silicone
- 8. Disposable Glove
- 9. Silicone Lubricant (4 five gram packets)

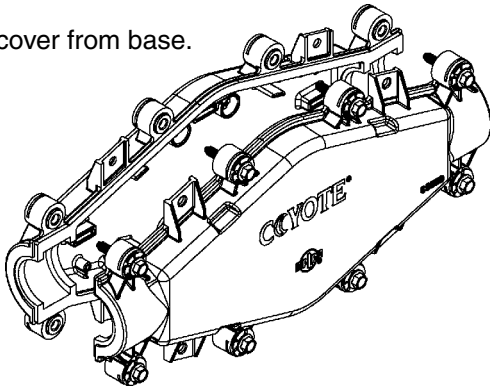
COYOTE Drop Closure Kits	
Catalog No.	Description
COYLCC-C001	COYOTE LCC Closure Kit for Copper Applications Includes: (1) Bonding Strap and Sleeve, (2) MINI-MORAY Shield Connectors, & (2) 1-Hole Grommets (.42" - .60" cable diameter range)
COYLCC-C002	COYOTE LCC Closure Kit for Copper Applications Includes: (1) Bonding Strap and Sleeve, (2) MINI-MORAY Shield Connectors, & (2) 1-Hole Grommets (.60" - .85" cable diameter range)
COYLCC-C003	COYOTE LCC Closure Kit for Copper Applications Includes: (1) Bonding Strap and Sleeve, (2) MINI-MORAY Shield Connectors, & (2) 1-Hole Grommets (.85" - 1.00" cable diameter range)
COYLCC-C004	COYOTE LCC Closure Kit for Copper Applications Includes: (1) Bonding Bridge, (2) MINI-MORAY Shield Connectors, & (1) 2-Hole Grommets (.42" - .60" cable diameter range), & (1) 1-Hole Grommet (.42 - .60" cable diameter range)
Accessory Kits	
8000751	MINI-MORAY Shield Connector
80808856	Bonding Strap with Sleeve
80804794	Bonding Bridge
Mounting Brackets	
80808552	COYOTE Universal Mounting Bracket
8003832	COYOTE Universal Hanger Mounting Bracket
8003830	Pole/Wall Mount Bracket

## Grommet Kits

Cat. #	Description Cable Range In. (mm)	Image	Cat. #	Description Cable Range In. (mm)	Image
8003691	1- entry grommet .42 - .60 (11 - 15)		8003694	1- entry grommet 1.0 - 1.35 (35 - 33)	
8003692	1- entry grommet .60 - .85 (15 - 22)		8003663	2- entry grommet .42 - .60 (11 - 15)	
8003693	1- entry grommet .85 - 1.0 (22 - 25)		8003664	4- entry grommet .30 - .43 (8 - 11)	

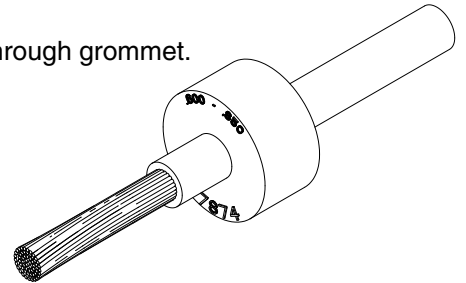
### Step #1

Remove cover from base.



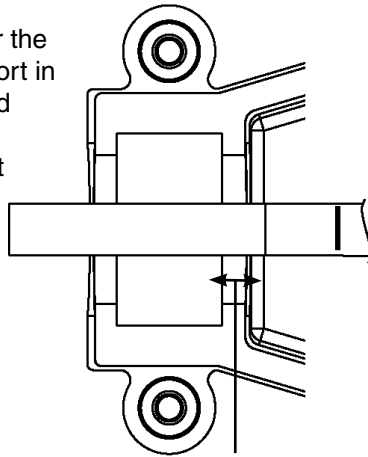
### Step #4

Insert cable(s) through grommet.



### Step #2

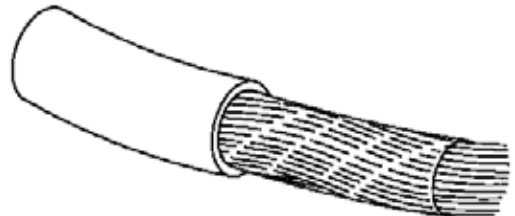
Place the cable over the selected entrance port in the closure base and mark the cable to identify the grommet location and sheath opening location. Mark all cables to be used for installation.



1.5" (38mm)

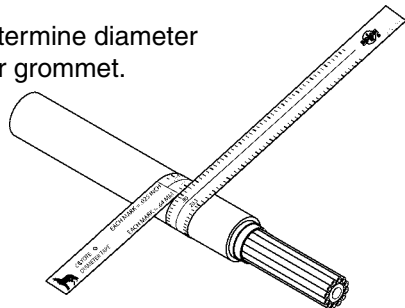
### Step #5

Prepare cable sheath and shield per your accepted company practices. It is recommended that you remove approximately 16" (400 mm) of cable sheath to avoid crowded conditions inside the closure.



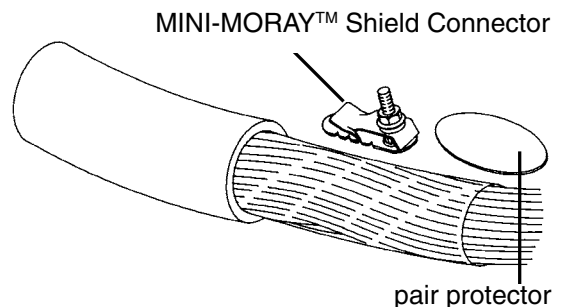
### Step #3

Measure cable to determine diameter and select the proper grommet.



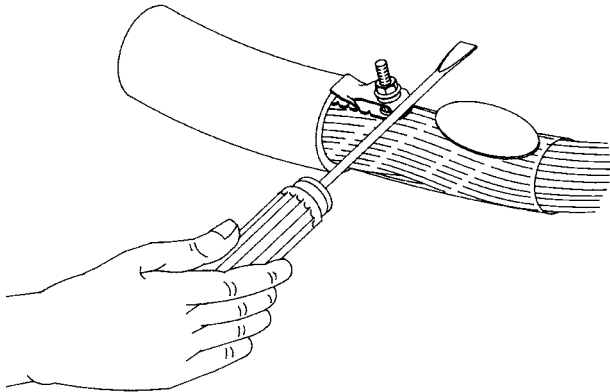
### Step #6

Position the connector assembly at the cable sheath opening.



### Step #7

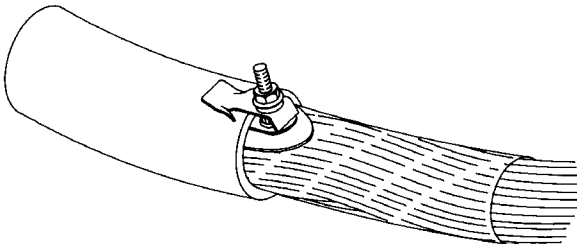
Slide the connector with thumb pressure into the cable sheath opening. If you cannot easily slip connector in, then follow the tip below.



**PLP Tip:** Place the shank of a screwdriver against the connector and use a tool to tap the connector into full position. The top plate of the connector should slide on top of the cable jacket; the bottom plate should slip between the cable shield and cable core wrap.

### Step #8

Once in position, slide the pair protector under the base plate of the connector assembly to isolate the connector from the cable core wrap.



**Step #9** Splice cables according to company practices.

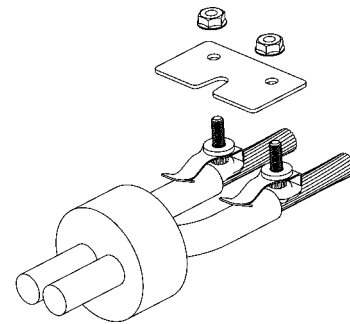
### Step #10

Install bonding bar or bonding bridge to the MINI-MORAY shield connectors with the nuts provided with the connectors. Tighten to 40 in-lbs. (4.52 Nm).

#### Bonding Bar Application

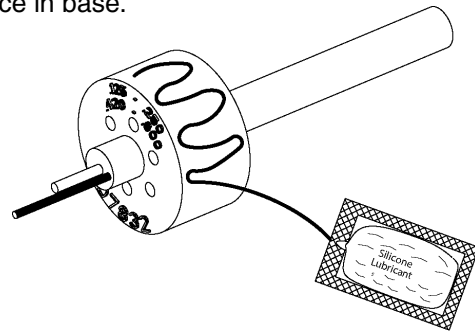


#### Bonding Bridge Application



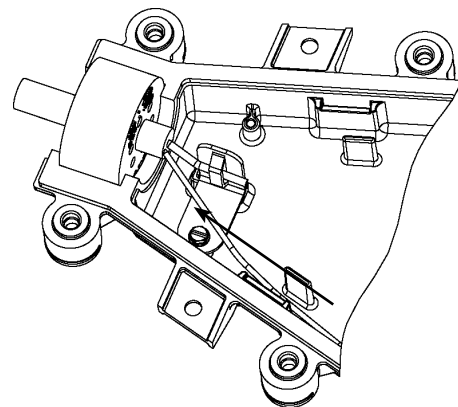
### Step #11

Apply a uniform layer of silicone lubricant to the outer surface of the grommet and into the grommet location in the closure base. Cover entire rubber sealing surface in base.



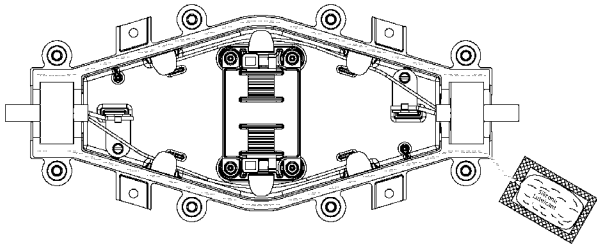
### Step #12

Insert grommet into closure base.



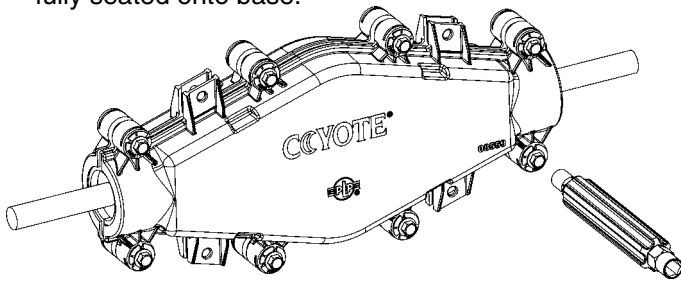
**Step #13**

Apply a uniform layer of silicone lubricant to all rubber sealing surfaces of the cover and the base.



**Step #14**

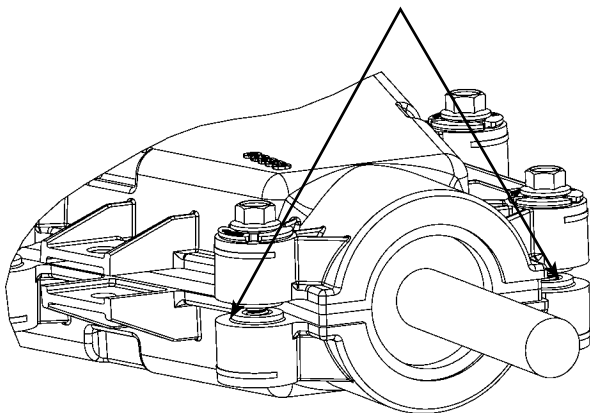
Secure the cover to the base by evenly hand-tightening the (8) cover bolts with a 3/8" driver until cover is fully seated onto base.



**Step #15**

Make sure the cover and base surfaces are touching when verifying that the cover is fully seated on the base.

Surfaces that should be touching



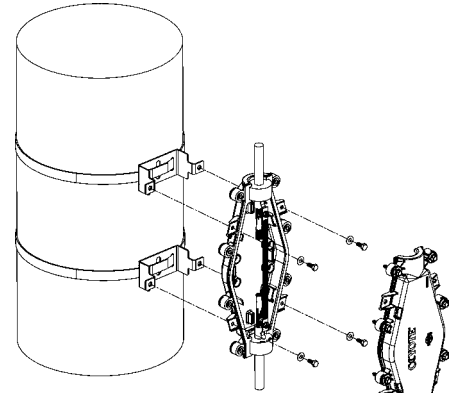
**Step #16** Wait 15 minutes and retighten bolts to make sure the cover and base are seated properly.

**Mounting Options**

**Step #17**

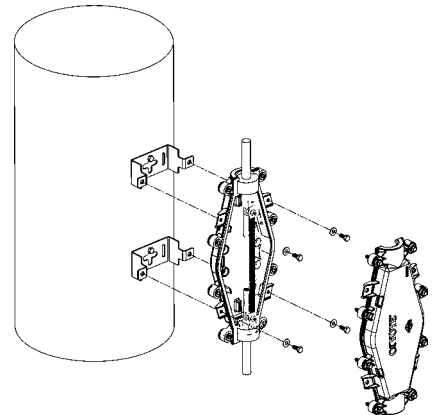
Pole/Wall Mount – Strapped

Kit Part No.: 8003830

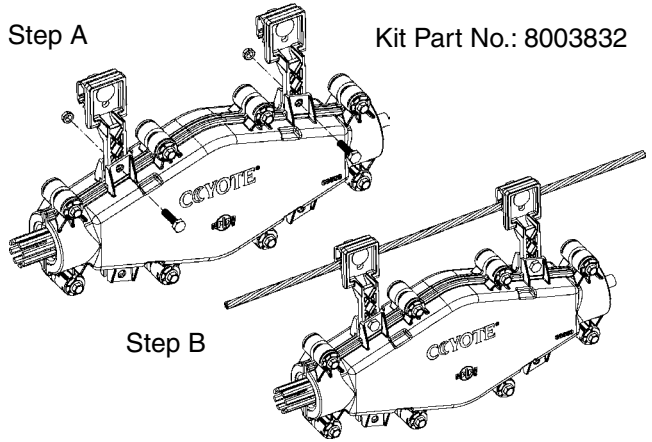


**Step #18**

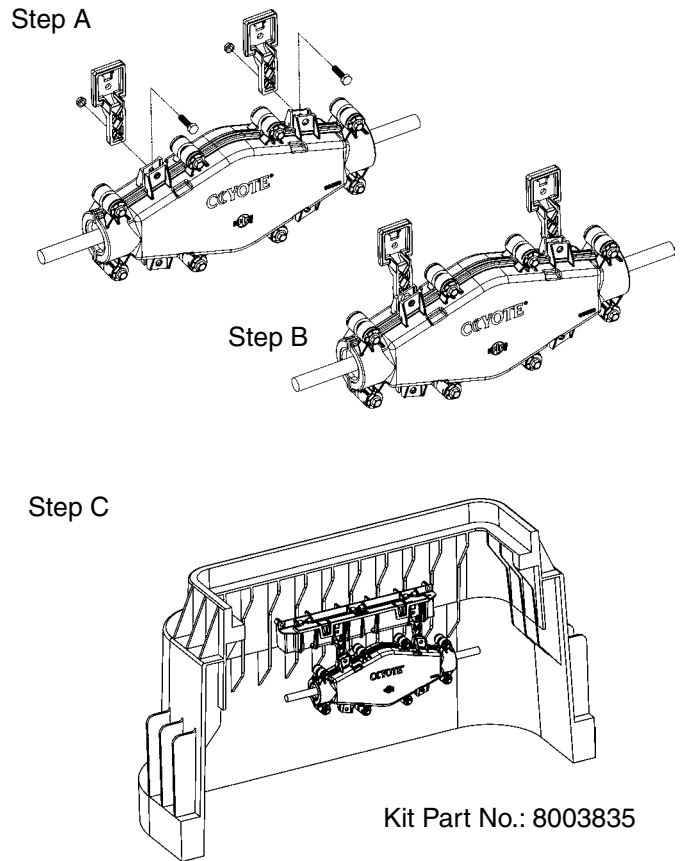
Pole/Wall Mount – Bolted



**Step #19**  
**COYOTE Universal Mounting Hanger Bracket for Aerial Applications.** The COYOTE LCC can be installed aerially using COYOTE Universal Mounting Hanger Brackets. (Step A) To install the hanger brackets, slide the brackets between the tabs of the base. Cover and secure with the hex head bolts and nuts provided. Attach the closure to the strand with the bug nuts that are installed on the hanger brackets. (Step B)



**Step #20**  
**COYOTE Universal Mounting Bracket for Hand Hole Applications.** The COYOTE LCC can be installed in a hand hole using the COYOTE Universal Mounting Bracket. Secure the Universal Mounting Bracket to the inner wall of the hand hole using 2 screws. (Step A) Next, secure the hanger brackets to the outer surface of the tabs of the base of the COYOTE LCC with the hex head bolts and nuts provided. (NOTE: Make sure to install the hangers to the base before securing the cover to the base.) (Step B) Lastly, slide the hanger bracket into the proper slots of the Universal Mounting Bracket and snap the hinged lid into place to secure the hanger brackets. (Step C)



### **SAFETY CONSIDERATIONS**

This application procedure is not intended to supersede any company construction or safety standards. This procedure is offered only to illustrate safe application for the individual.

**FAILURE TO FOLLOW THESE PROCEDURES MAY RESULT IN PERSONAL INJURY OR DEATH.**

**Do not modify this product under any circumstances.**

This product is intended for use by trained technicians only. **This product should not be used by anyone who is not familiar with, and not trained to use it.**

When working in the area of energized lines, extra care should be taken to prevent accidental electrical contact.

For proper performance and personal safety, be sure to select the proper size PREFORMED product before application.

PREFORMED products are precision devices. To insure proper performance, they should be stored in cartons under cover and handled carefully.



# **PREFORMED** LINE PRODUCTS

P.O. Box 91129, Cleveland, Ohio 44101 • 440.461.5200 • [www.preformed.com](http://www.preformed.com) • e-mail: [inquiries@preformed.com](mailto:inquiries@preformed.com)

**SP3055**