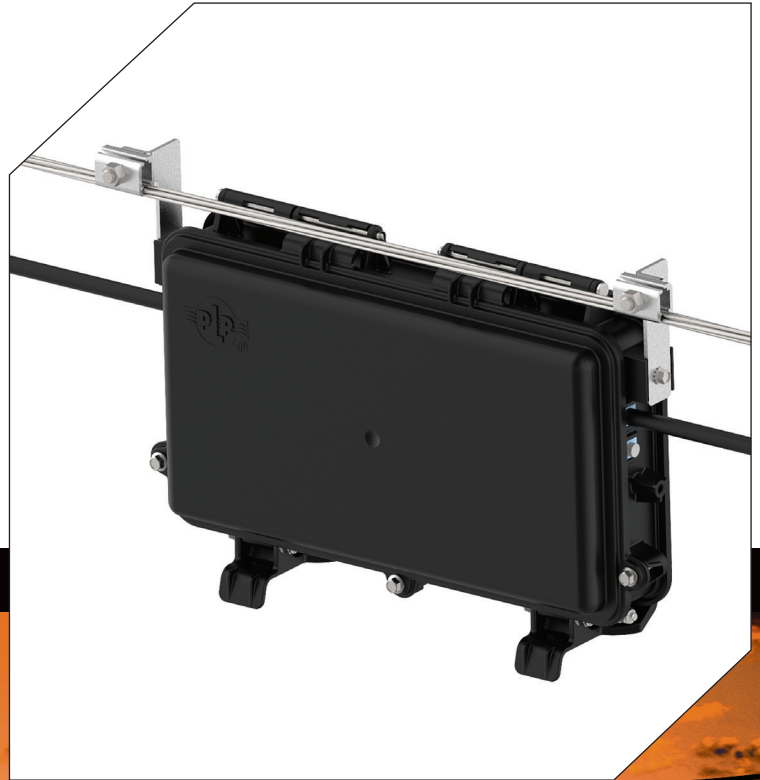




PREFORMED LINE PRODUCTS
The connection you can count on.

COYOTE® ATC (Aerial Terminal Closure)



COMMUNICATIONS



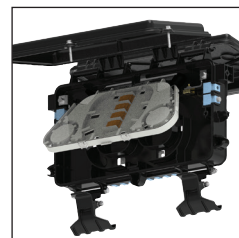
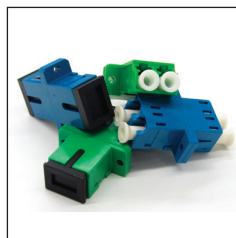
ENERGY



SPECIAL INDUSTRIES



SOLAR



PLP® Fiber Optic Products

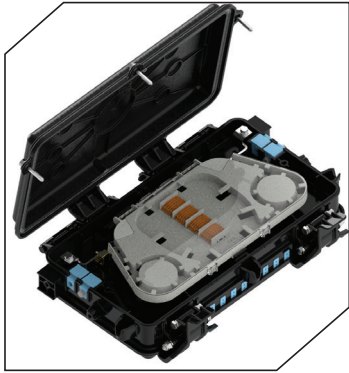
COYOTE® ATC (Aerial Terminal Closure)

Description

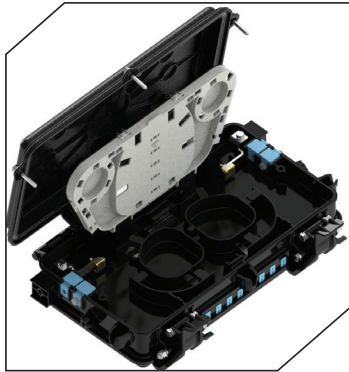
The new COYOTE® ATC is Preformed Line Products' first purpose-built aerial closure system focused to support the drop distribution network without the need for specialized drop cable assemblies. The closure features a unique dual chamber design with independent access to the splice/slack storage chamber and to the drop connection chamber. The cover latch system expedites access for drop installation and the fasteners secure the splice chamber cover to restrict access after initial installation. Inside the closure is a large slack storage area and splice tray system which support single fusion, mass fusion, mechanical splice protectors or splitter technology. The ability to support standard drop cables, application flexibility, rugged construction and ease of use are just a few reasons to consider the new COYOTE ATC for your OSP fiber network.

Key Features:

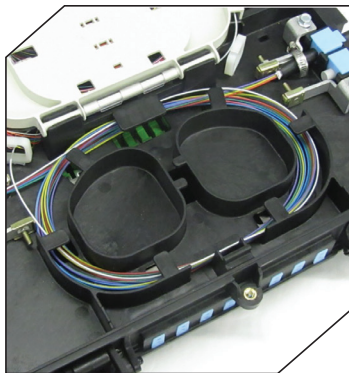
- **Size:** 17" x 10" x 4" (432 x 254 x 102 mm)
- **Max Splice Capacity:** 48
- **Max Adapter Capacity:** 16
- **Grommet Quantity:**
 - Splice Chamber – 4
 - Drop Chamber – 8
 - See table for grommet options
- **Application:** Aerial
- **Adapter Types Supported:** SCAPC, SCUPC, LCAPC, LCUPC
- Flexible grommet sealing system supports a wide range of flat or round cable profiles
- Factory installed sealing materials
- Reenterable and reuseable
- Dual cover design allows independent access to each closure chamber
- Designed to GR-771 generic requirements for fiber splice closures
- Constructed with flame retardant UV stabilized material



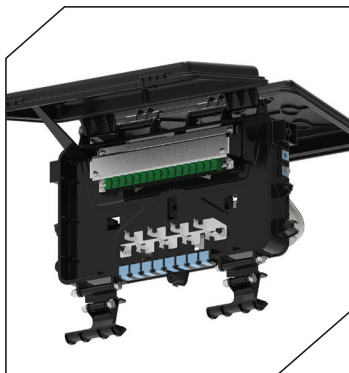
Splice Chamber



Hinged Splice Tray



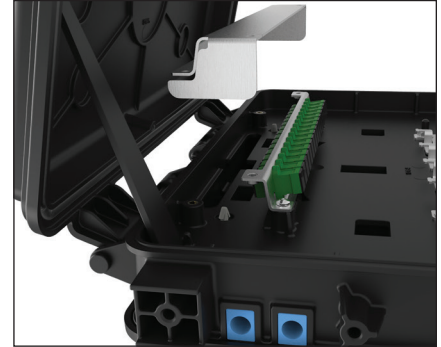
Slack Storage Area



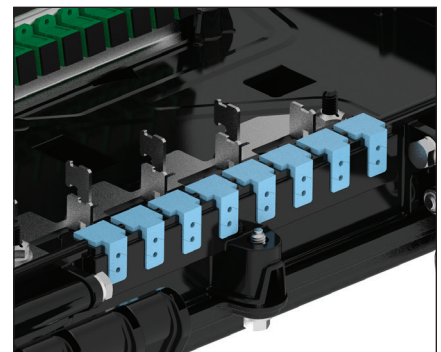
Independent Chamber Access



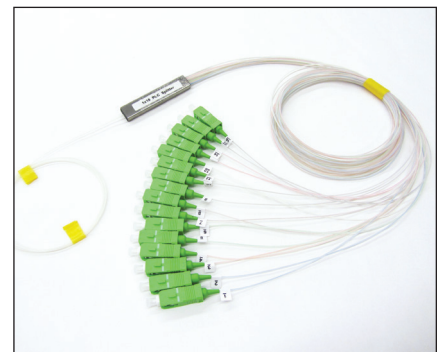
Drop Chamber



Protective Shroud

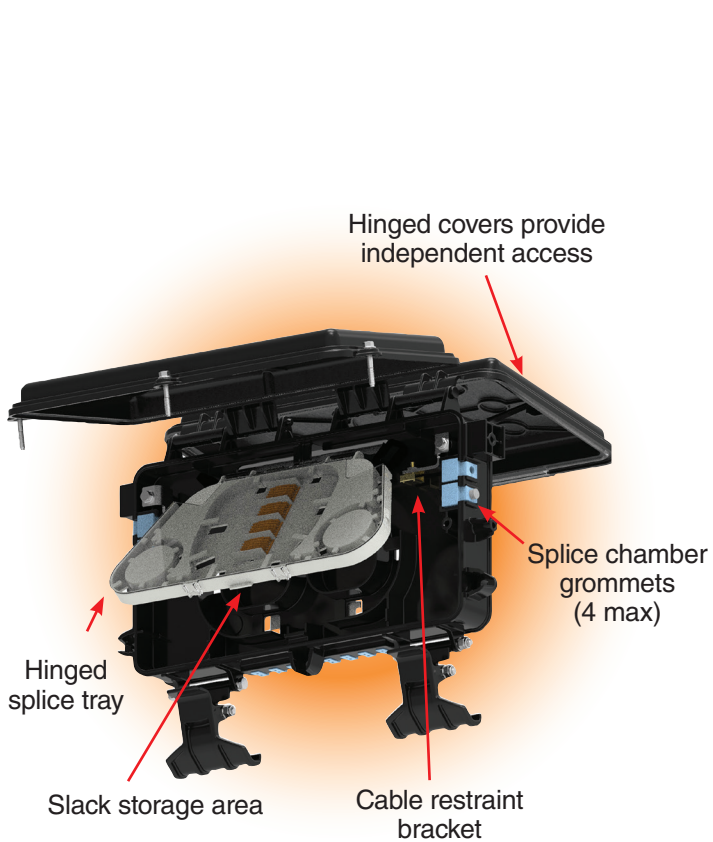
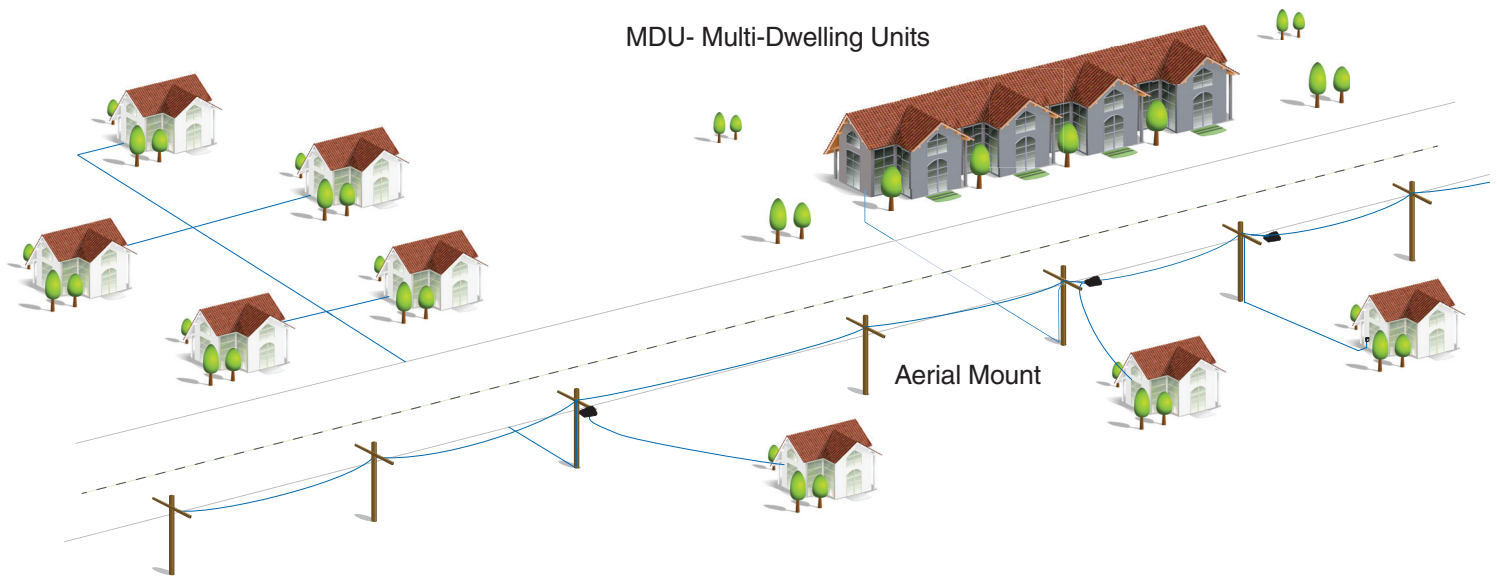


Drop Grommets

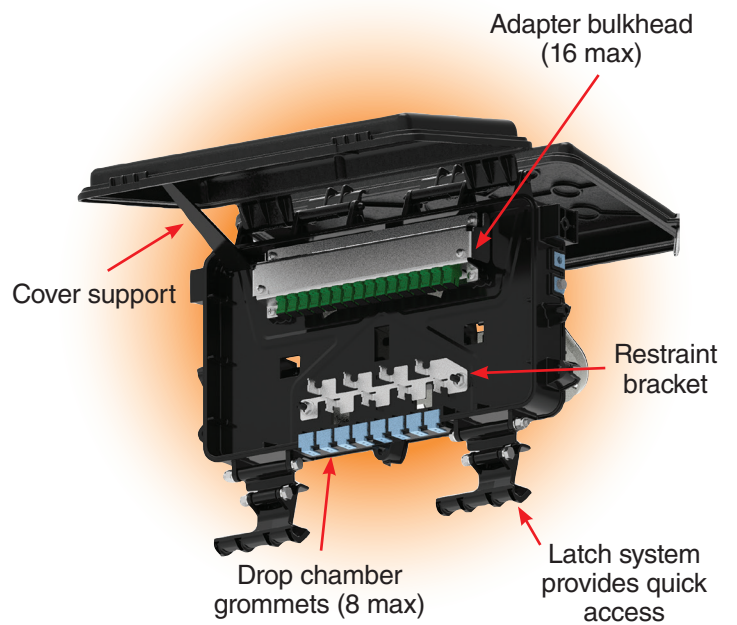


Pre-Connectorized Splitters

PLP® Fiber Optic Products
COYOTE® ATC (Aerial Terminal Closure)



SPLICE CHAMBER



DROP CHAMBER

COYOTE® ATC Ordering Instructions

ATC - XXXX

X


X





X





X

X

Splice Chamber Grommet Selection Select 4		Cable Diameter Range	Splice Chamber Splitter Type Select 1	
A		SOLID, NO HOLE	N	NONE
Splitters without Connectors				
B		.200" - .250" (5.0 - 6.4 mm) ROUND CABLES	1	1X4 - PLC
C		.250" - .300" (6.4 - 7.6 mm) ROUND CABLES	2	1X8 - PLC
D		.300" - .350" (7.6 mm - 9.0 mm) ROUND CABLES	3	1X16 - PLC
Pre-Connectorized Splitters				
E		.350" - .400" (9.0 - 10.2 mm) ROUND CABLES	4	1X4 - SCAPC
F		.400" - .450" (10.2 - 11.4 mm) ROUND CABLES	5	1X4 - LCAPC
G		.450" - .500" (11.4 - 12.7 mm) ROUND CABLES	6	1X4 - SCUJC
H		.500" - .550" (12.7 - 14.0 mm) ROUND CABLES	7	1X4 - LCUJC
J		.156" - .187" (4.0 mm - 4.7 mm) ROUND CABLES	8	1X8 - SCAPC
			9	1X8 - LCAPC
			10	1X8 - SCUJC
			11	1X8 - LCUJC
			12	1X16 - SCAPC
			13	1X16 - LCAPC
			14	1X16 - SCUJC
			15	1X16 - LCUJC

Splice Chamber Pigtails Select 1 and quantity	
N	NONE
Y	

Drop Chamber Grommet Select 1		Cable Diameter Range
0		SOLID, NO HOLE
1		.093" - .125" (2.4 - 3.2 mm) ROUND CABLES
2		.156" - .170" (4.0 - 4.3 mm) ROUND CABLES
3		FLAT DROP CABLE

Drop Chamber Adapter Type Select 1	
N	NONE
1	
2	
3	
4	

Drop Chamber Adapter Quantity	
	0 to 16

Catalog Number Example: ATC-AADD-8-N-1-1-8

Accessories

Catalog No.	Description
8004121	ADSS Mounting Bracket

All Closures include splice tray and aerial mounting hardware