



## ARMADILLO® MANHOLE SUPPORT

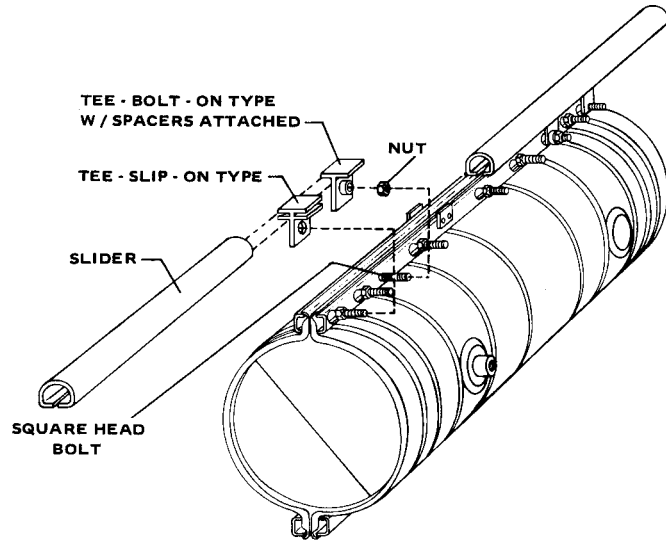
Be sure to read and completely understand this procedure before applying product. Be sure to select the proper PREFORMED™ product before application.

### 1.00 NOMENCLATURE

**NOTE:** This product is not for use on 4" ARMADILLO Stainless

This illustration shows the Manhole Support Kit. Each kit consists of :

- Sliders (2)
- Tees (slip on type) (2)
- Tees (bolt on type) (2)
- Nuts (2)
- Bolts (2)



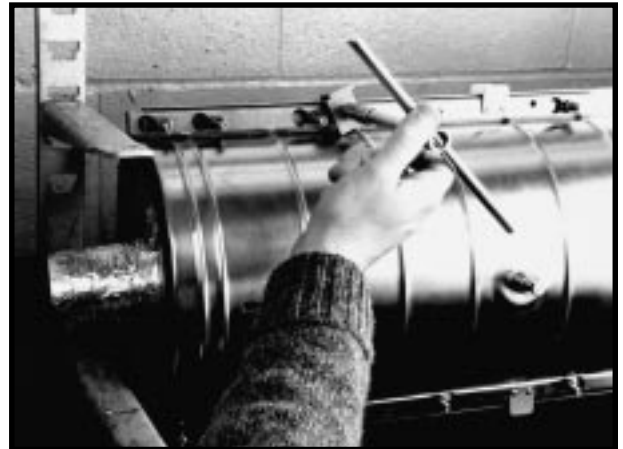
### 2.00 INSTALLATION

**2.01** For Safety Considerations, refer to section 3.00 of this procedure.

**2.02** Just prior to installation of the LOCKBAR™ System or Bolt Bars, place the bolt supplied through the aerial hanger hole and attach "Bolt - on" type tee, using the nut supplied. (Figure 1 and 2)



**FIGURE 1 - PLACE SUPPLIED BOLT THROUGH HANGER HOLE**

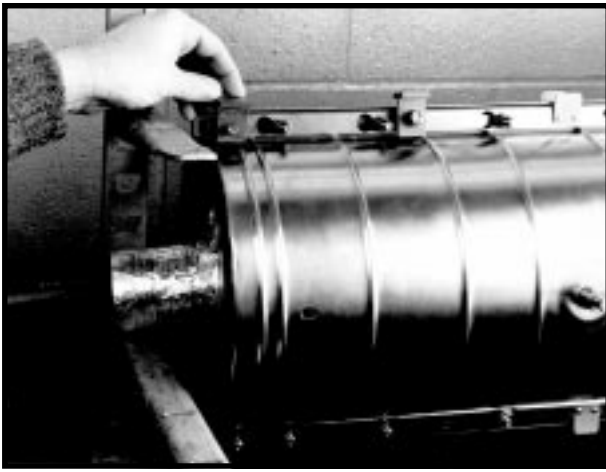


**FIGURE 2 - ATTACH "BOLT-ON" TYPE TEE USING NUT SUPPLIED**

**2.03** Install LOCKBAR System or Bolt Bars according to Standard Application Procedure guidelines.

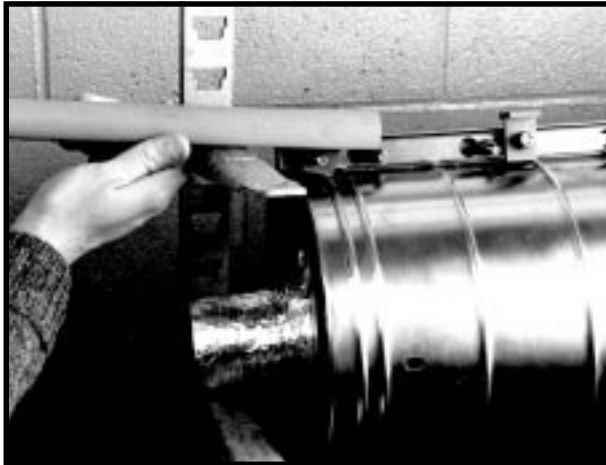
**2.04** Place the "Slip-on" tee over the first bolt on the LOCKBAR System or Bolt Bars (This tee requires no nut and is therefore a tight fit). Push until tee is against nut.

**PLP TIP:** A deep well socket can be placed carefully over the stud, so as not to damage the threads and be used to push the tee into position. (Figure 3)



**FIGURE 3 - PLACE "SLIP-ON" TEE OVER THE FIRST BOLT ON LOCKBAR**

**2.05** Place the V groove of the slider against the base of the front tee and push on. The "head" of the tee will now be inside the slider. (Figure 4 & 5)



**FIGURE 4 - PLACE V GROOVE OF SLIDER AGAINST FRONT TEE AND PUSH ON**

**2.06** Push the slider over the rear tee. Hang and support the case.

**PLP TIP:** Use a large tie wrap (not provided) to secure the slider to the step.



**FIGURE 5 - PUSH SLIDER OVER REAR TEE**

### **3.00 SAFETY CONSIDERATIONS**

- 1.** This Application Procedure is not intended to supersede any company construction or safety standards. This procedure is offered only to illustrate safe application for the individual. **CAUTION: FAILURE TO FOLLOW THESE PROCEDURES AND RESTRICTIONS MAY RESULT IN PERSONAL INJURY OR DEATH.**
- 2.** This product is intended for the specified application. **CAUTION: DO NOT MODIFY THIS PRODUCT UNDER ANY CIRCUMSTANCES.**
- 3.** This product is intended for use by trained craftspeople only. This product **SHOULD NOT BE USED** by anyone who is not familiar with and trained in the use of it.
- 4.** When working in the area of energized lines with this product, **EXTRA CARE** should be taken to prevent accidental electrical contact.
- 5.** For **PROPER PERFORMANCE AND PERSONAL SAFETY** be sure to select the proper size **PREFORMED™** products before application.
- 6.** **PREFORMED™ PRODUCTS** are precision devices. To insure proper performance, they should be stored in cartons under cover and handled carefully.

**PREFORMED** LINE PRODUCTS 

P.O. Box 91129, Cleveland, Ohio 44101 • 440.461.5200 • www.preformed.com • e-mail: inquiries@preformed.com  
SP2663-1