

Viper Live Bird Flapper

GENERAL RECOMMENDATIONS

The Bird Flapper is designed to make overhead lines visible to birds and provides a cost beneficial means of reducing the hazard to both lines and birds. For low and medium voltage construction (up to 40 kV) it is applied to the phase conductors (bare or jacketed). For high voltages it is used on the earth wire. The Flapper Disc is injection moulded plastic with UV stabilizers to prevent discolouration, while the attachment clamp is made from a high strength UV stabilized engineering composite plastic for maximum strength and clamping force. The fasteners and springs are stainless steel grade 316. The fitting is light in weight, offers little wind resistance and is easily and quickly applied by hand or by hot sticks. The positive grip of the fitting on the conductor ensures that it remains in the applied position and cannot move along the span under vibration or wind action.

Visibility: The diverter section increases the visibility profile of the cable or conductor to a degree necessary to ensure safety, but avoids an undesirably bulky outline. A retro-reflective decal on the flapper enhances visibility by reflecting sunlight as the flapper moves in the wind.

Helical Suspender: Is also available instead of the plastic type clamp. Details on application.

Colours: Black and yellow flappers are available as standard, other colours available on request. The clamp is black only.

APPLICATION:

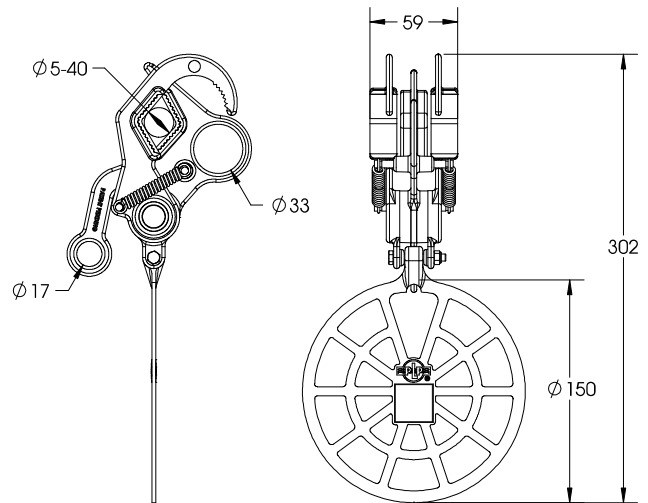
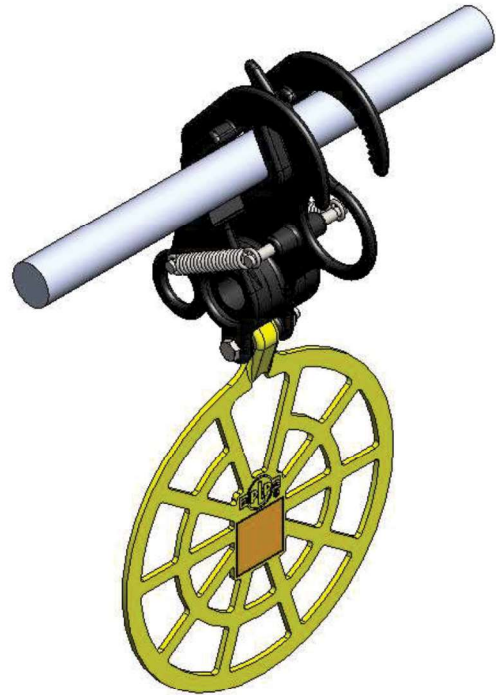
Live-Line: The clamp is opened by hand and then placed on a standard hotstick disconnect prong, hook or similar through the small 17mm diameter eye. No special applicator tool is required. The flapper is then raised up to the conductor, locating the clamp hooks over the conductor. Apply a short, sharp downward tug on the link-stick so that the jaws snap shut. To remove, the disconnect hook is placed through the large 33mm diameter eye, and downward tug applied to open the jaws allowing the flapper to be removed. A downward installation/removal force negates the need for a second operator to hold down the conductor on slack spans. Care should be taken when handling the clamp as spring force can cause injuries.

Spacing: Spacing distances are not critical and will depend upon local conditions. Since wind resistance is very limited, sufficient fittings can be used to ensure adequate visibility without creating stresses on the line. When marking adjacent spans, overall visibility without creating stresses on the line. When marking adjacent spans, overall visibility is improved by staggering the application with alternating colour Flappers. The general rule is to first apply Flappers at 10 m intervals.

Catalogue No.: BFLL

PART NUMBER	FLAPPER COLOUR
BFLL-YEL	YELLOW
BFLL-BLK	BLACK
BFLL-RED	RED

OTHER COLOURS ON REQUEST



NOTES:

1. Conductor Diameter range 0 – 40 mm
2. Flapper 10 spoke double annular ring with single axis rotation.
3. Standard disconnect hook or similar used to install and remove – no special tools required.
4. Downward force operation for installation and removal.
5. Weight approx 175g