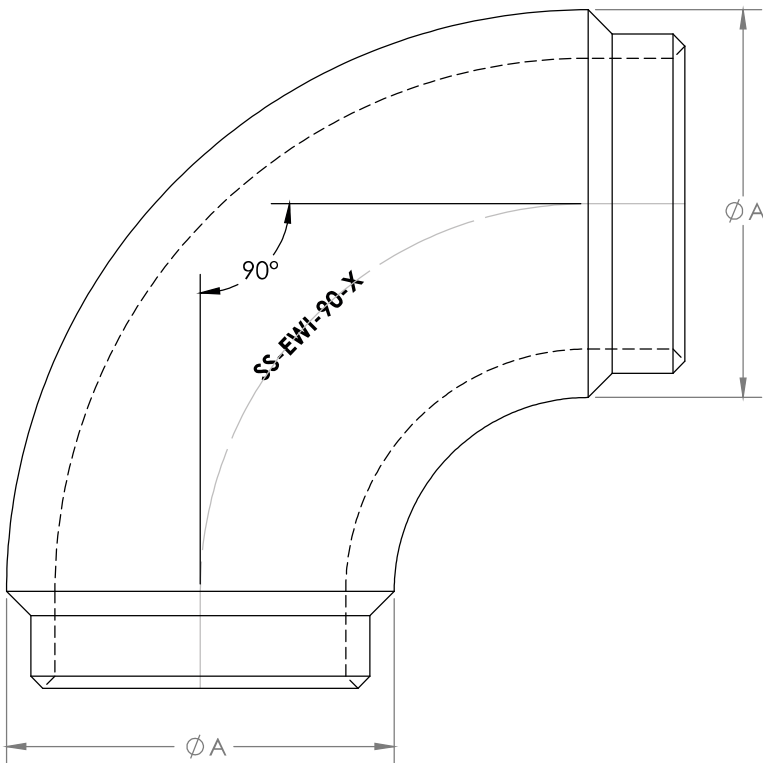


TBWI - 90



NOTES:

- To connect a two busbars (welded Type).
- Material: Cast aluminium.
- Cat No. to be stamped in location shown.
- Welded areas to be cleaned with a stainless steel wire brush before welding.
- Supplied in a clear, sealed, heavy duty, UV stabilized plastic bag.

ESKOM CODE	PLP CATALOGUE NO.	TUBE DIAM. (A) mm	MINIMUM RATED CURRENT @ 90°C	MAXIMUM VOLTAGE kV rms	WEIGHT kg
EWI-90-A	TBWI-80-90	80	2000	145	2.20
EWI-90-C	TBWI-120-90	120	3150	145	4.60
EWI-90-F	TBWI-200-90	200	4000	800	5.60
EWI-90-G	TBWI-250-90	250	4000	800	6.90