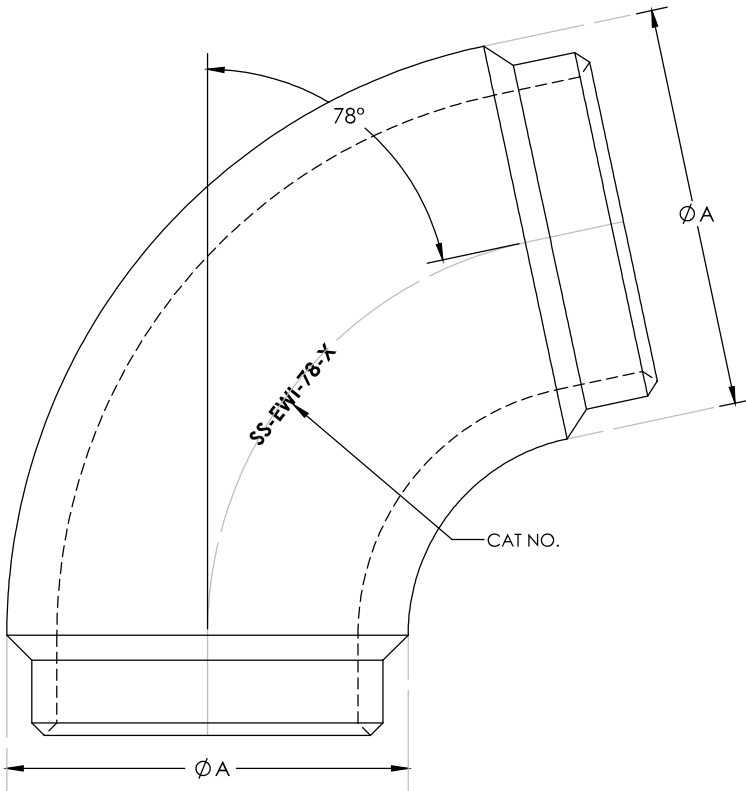


# TBWI-78

**NOTES:**

- To connect a two busbars (welded Type).
- Material: Cast aluminium.
- Cat No. to be stamped in location shown.
- Welded areas to be cleaned with a stainless steel wire brush before welding.
- Supplied in a clear, sealed, heavy duty, UV stabilized plastic bag.

ESKOM CODE	PLP CATALOGUE NO.	TUBE DIAM. (A) mm	MINIMUM RATED CURRENT @ 90°C	MAXIMUM VOLTAGE kV rms	WEIGHT kg
EWI-78-A	TBWI-80-78	80	2000	145	2.10
EWI-78-C	TBWI-120-78	120	3150	145	4.40
EWI-78-F	TBWI-200-78	200	4000	800	5.30
EWI-78-G	TBWI-250-78	250	4000	800	6.70