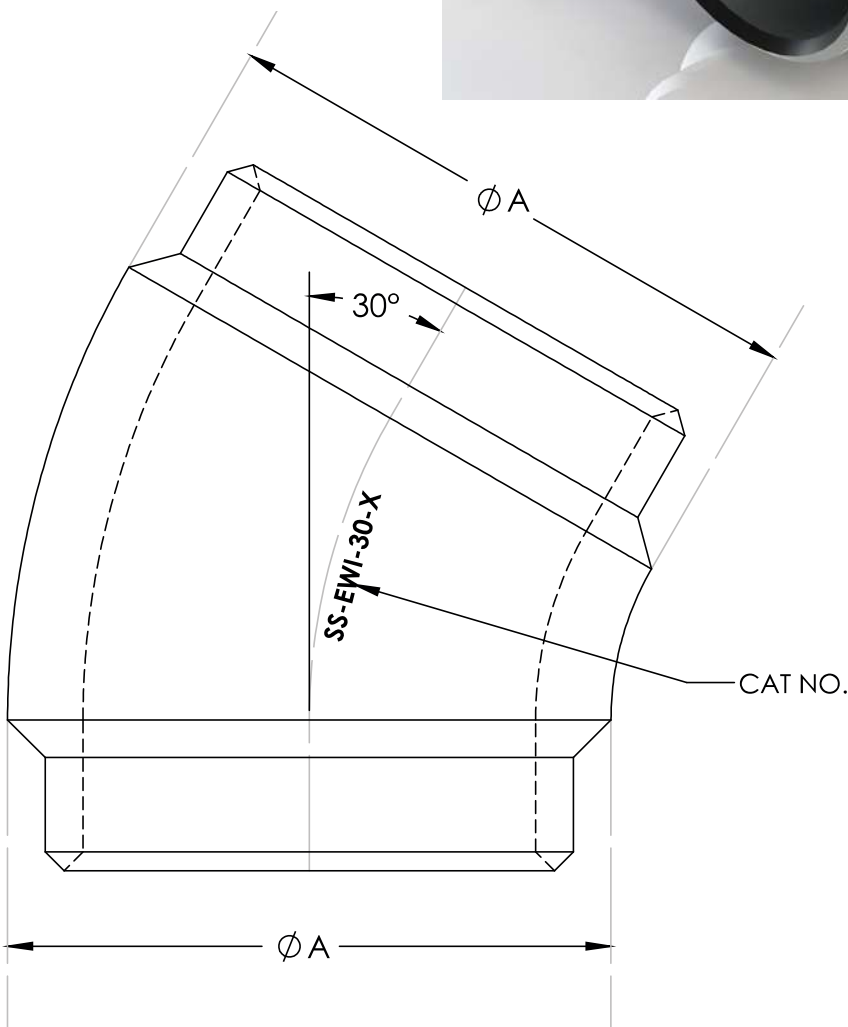


TBWI-3Ø**NOTES:**

- To connect a two busbars (welded Type).
- Material: Cast aluminium.
- Cat No, to be stamped in location shown.
- Welded areas to be cleaned with a stainless steel wire brush before welding.
- Supplied in a clear, sealed, heavy duty, UV stabilized plastic bag.

ESKOM CODE	PLP CATALOGUE NO.	TUBE DIAM. (A) mm	MINIMUM RATED CURRENT @ 90°C	MAXIMUM VOLTAGE kV rms	WEIGHT kg
EWI-30-A	TBWI-80-30	80	2000	145	0.70
EWI-30-C	TBWI-120-30	120	3150	145	1.80
EWI-30-F	TBWI-200-30	200	4000	800	8.00
EWI-30-G	TBWI-250-30	250	4000	800	15.00