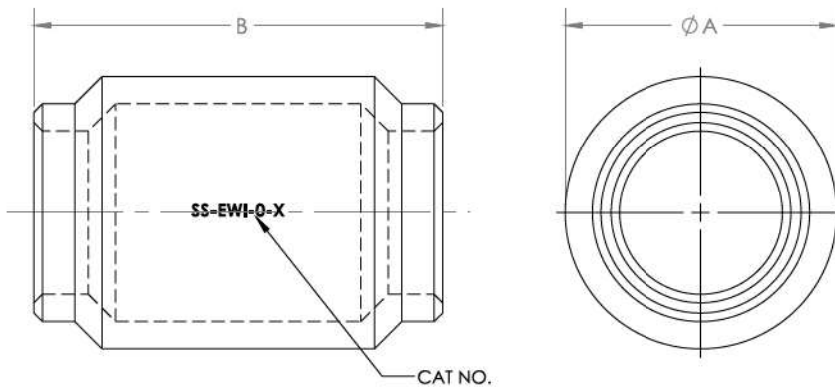


TBWI-Ø



NOTES:

- To connect a two busbars (welded Type).
- Material: Cast aluminium.
- Cat No. to be stamped in location shown.
- All bolted joint clamp and conductor/busbar surfaces to be cleaned with a stainless steel wire brush and a suitable conductive grease applied before use.
- Supplied in a clear, sealed, heavy duty, UV stabilized plastic bag.

ESKOM CODE	PLP CATALOGUE NO.	TUBE DIAM. (A) mm	(B) mm	MINIMUM RATED CURRENT @ 90°C	MAXIMUM VOLTAGE kV rms	WEIGHT kg
EWI-0-A	TBWI-80-0	80	120	2000	145	0.55
EWI-0-C	TBWI-120-0	120	120	3150	145	1.65
EWI-0-F	TBWI-120-0	200	180	4000	800	3.80
EWI-0-G	TBWI-250-0	250	200	4000	800	8.23