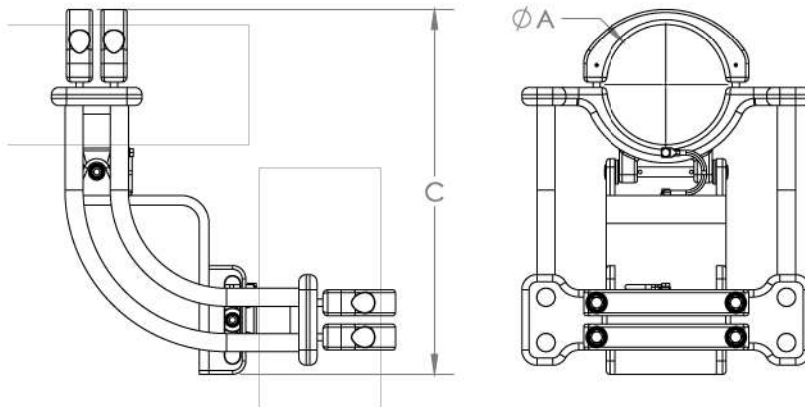
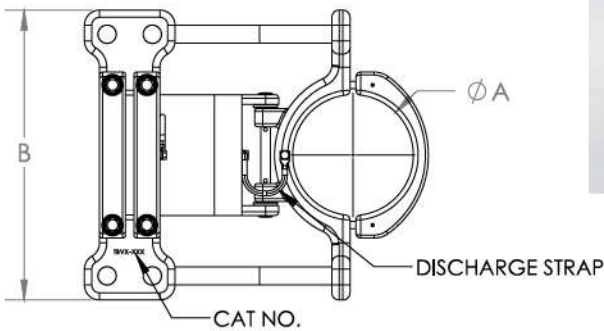


TBVHX



NOTES:

- To connect two busbars (sliding tee connection).
- Material: Fasteners for:
 Tube Diam. 150-250mm.
 Anodised HT 7075 AL Alloy.
 HDG steel plate
 Components are cast aluminium.
- Bolt torque values:
 M10 (St steel) 35Nm, (AL.) 21 Nm
 M12 (St steel) 60Nm, (AL) 36 Nm
- Cat No. to be stamped in location shown.
- All bolted joint clamp and conductor/busbar surfaces to be cleaned with a stainless steel wire brush and a suitable conductive grease applied before use.
- Supplied in a clear, sealed, heavy duty, UV stabilized plastic bag.
- Supplied with a static discharge strap.

ESKOM CODE	PLP CATALOGUE NO.	TUBE DIAM.			MINIMUM	MAXIMUM	WEIGHT
		(A) mm	(B) mm	(C) mm	RATED CURRENT @ 90°C	VOLTAGE kV rms	
EEC-T-S-A	TBVHX-200	200	480	605	4000	800	36.2
EEC-T-S-B	TBVHX-250	250	530	630	4000	800	45.2