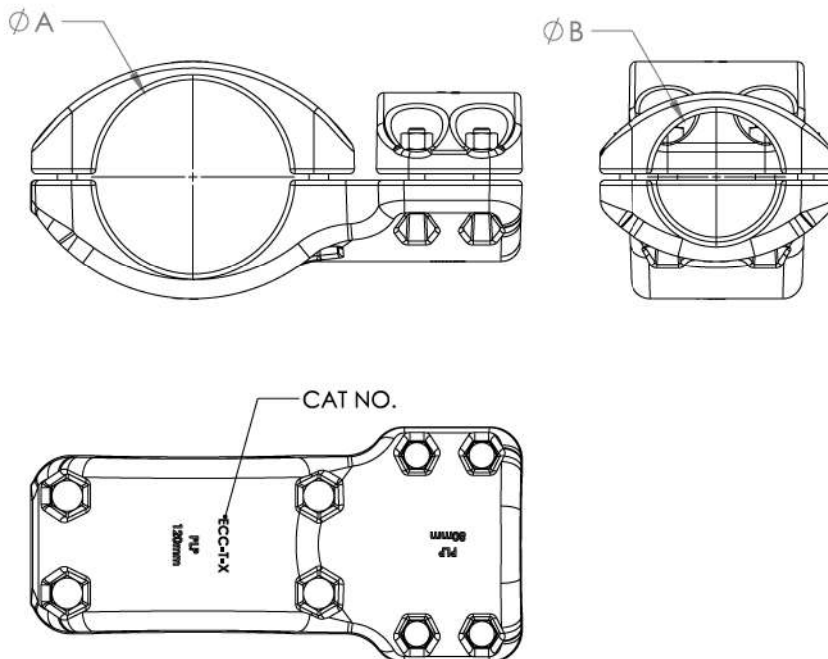


TBT



NOTES:

- To connect two busbars fixed tee connection.
- Material: Fasteners for:
Tube diam. 80-120mm
Stainless steel Gr. A4.
Tube Diam. 150-250mm
Anodised HT 7075 AL Alloy.
Components are cast aluminium.
- Bolt torque values:
M10 (St steel) 35Nm, (AL.) 21 Nm
M12 (St steel) 60Nm, (AL) 36 Nm
- Cat No. to be stamped in location shown.
- All bolted joint clamp and conductor/busbar surfaces to be cleaned with a stainless steel wire brush and a suitable conductive grease applied before use.
- Supplied in a clear, sealed, heavy duty, UV stabilized plastic bag.

ESKOM CODE	PLP CATALOGUE NO.	TUBE DIAM. (A) mm	TUBE DIAM. (B) mm	MINIMUM RATED CURRENT @ 90°C	MAXIMUM VOLTAGE kV rms	WEIGHT kg
ECC-T-A	TBT-80-80	80	80	2000	145	3.4
ECC-T-C	TBT-120-80	120	80	3150	145	4.9
ECC-T-D	TBT-120-120	120	120	3150	145	6.9
ECC-T-G	TBT-200-120	200	120	4000	800	18.9
ECC-T-H	TBT-200-250	200	250	4000	800	26.5
ECC-T-J	TBT-250-250	250	250	4000	800	27.8
ECC-T-K	TBT-200-200	200	200	4000	800	25.0