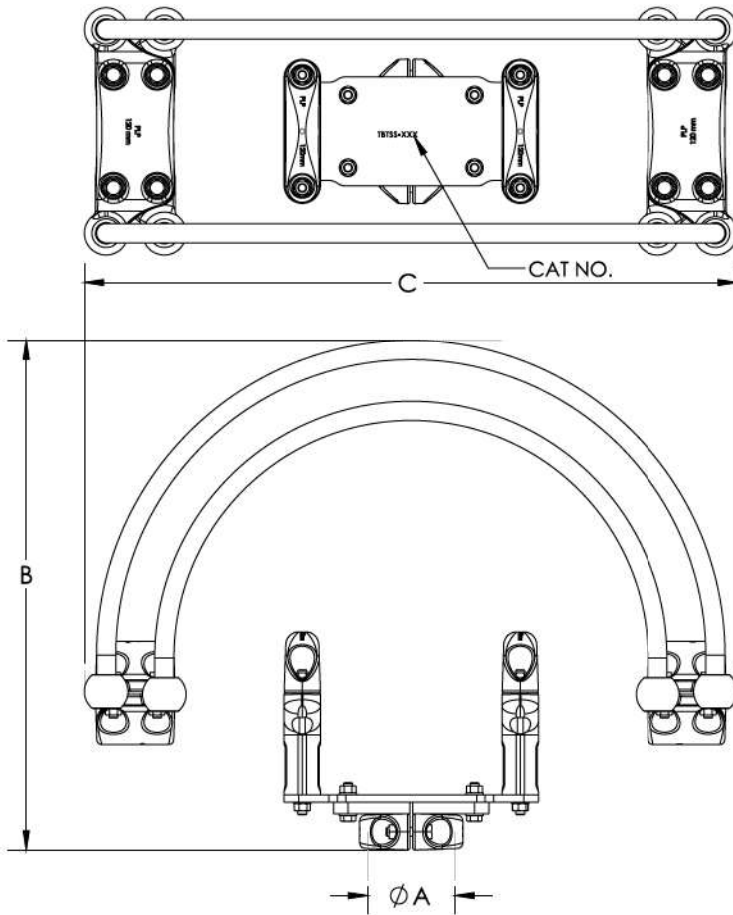


TBTSS



NOTES:

- To connect two busbars (tube mounted) fixed connection.
- Material: Fasteners for:
Tube diam. 80-120mm
Stainless steel Gr. A4.
Tube Diam. 150-250mm
Anodised HT 7075 AL Alloy.
Components are cast aluminium.
- Bolt torque values:
M10 (St steel) 35Nm, (AL.) 21 Nm
M12 (St steel) 60Nm, (AL) 36 Nm, (HDG) 45 Nm
M20 (HDG) 90 Nm
M24 (HDG) 130 Nm
- Cat No. to be stamped in location shown.
- All bolted joint clamp and conductor/busbar surfaces to be cleaned with a stainless steel wire brush and a suitable conductive grease applied before use.
- Supplied in a clear, sealed, heavy duty, UV stabilized plastic bag.

ESKOM CODE	PLP CATALOGUE NO.	TUBE DIAM. (A) mm	(B) mm	(C) mm	MINIMUM RATED CURRENT @ 90°C	MAXIMUM VOLTAGE kV rms	WEIGHT kg
EEC-TB-SS-A	TBTSS-80	80	700	900	2000	145	18.4
EEC-TB-SS-C	TBTSS-120	120	700	900	3150	145	21.7
EEC-TB-SS-F	TBTSS-200	200	800	1000	4000	800	55.5
EEC-TB-SS-G	TBTSS-250	250	850	1050	4000	800	66.8