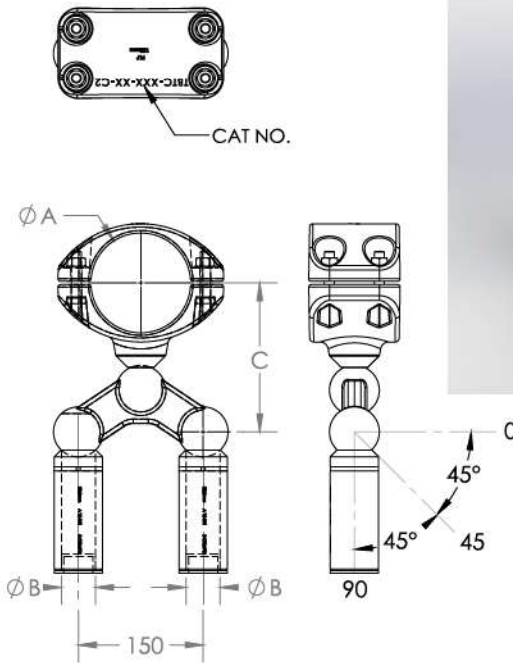


TBTC-C2



NOTES:

- To connect a busbar to twin stranded conductor.
- Material: Fasteners for:
Tube diam. 80-120mm
Stainless steel Gr. A4.
Tube Diam. 150-250mm.
Anodised HT 7075 AL Alloy
Extruded aluminium tubing
Components are cast aluminium.
- Bolt torque values:
M10 (St steel) 35Nm, (AL.) 21Nm
M12 (St steel) 60Nm, (AL.) 36Nm
- Cat No. to be stamped in location shown.
- All bolted joint clamp and conductor/busbar surfaces to be cleaned with a stainless steel wire brush and a suitable conductive grease applied before use.
- Supplied in a clear, sealed, heavy duty, UV stabilized plastic bag.

ESKOM CODE	PLP CATALOGUE NO.	TUBE	CONDUCTOR		ANGLE OFFSET	AFTER COMP. (A.F.) mm	ALCAN DIE	MINIMUM	MAXIMUM	WEIGHT kg
		DIAM. (A) mm	DIAM. (B) mm	(C) mm				RATED CURRENT @ 90°C	VOLTAGE kV rms	
ETP-IL-2-A	TBTC-80-26-C2-0	80	2x26.5	155	0	36	DA-10	1700	145	3.5
ETP-IL-2-B	TBTC-80-26-C2-45	80	2x26.5	155	45	36	DA-10	1700	145	3.5
ETP-IL-2-C	TBTC-80-26-C2-90	80	2x26.5	155	90	36	DA-10	1700	145	3.5
ETP-IL-2-D	TBTC-80-38-C2-0	80	2x38.3	155	0	49	DA-13	2000	145	3.9
ETP-IL-2-E	TBTC-80-38-C2-45	80	2x38.3	155	45	49	DA-13	2000	145	3.9
ETP-IL-2-F	TBTC-80-38-C2-90	80	2x38.3	155	90	49	DA-13	2000	145	3.9
ETP-IL-2-N	TBTC-120-26-C2-0	120	2x26.5	180	0	36	DA-10	1700	145	4.9
ETP-IL-2-P	TBTC-120-26-C2-45	120	2x26.5	180	45	36	DA-10	1700	145	4.9
ETP-IL-2-Q	TBTC-120-26-C2-90	120	2x26.5	180	90	36	DA-10	1700	145	4.9
ETP-IL-2-R	TBTC-120-38-C2-0	120	2x38.3	180	0	49	DA-13	2700	145	5.4
ETP-IL-2-S	TBTC-120-38-C2-45	120	2x38.3	180	45	49	DA-13	2700	145	5.4
ETP-IL-2-T	TBTC-120-38-C2-90	120	2x38.3	180	90	49	DA-13	2700	145	5.4
ETP-IL-2-AA	TBTC-200-38-C2-0	200	2x38.3	220	0	49	DA-13	2700	420	13.7
ETP-IL-2-AB	TBTC-200-38-C2-45	200	2x38.3	220	45	49	DA-13	2700	420	13.7
ETP-IL-2-AC	TBTC-200-38-C2-90	200	2x38.3	220	90	49	DA-13	2700	420	13.7
ETP-IL-2-AD	TBTC-250-38-C2-0	250	2x38.3	245	0	49	DA-13	2700	420	14.9
ETP-IL-2-AE	TBTC-250-38-C2-45	250	2x38.3	245	45	49	DA-13	2700	420	14.9
ETP-IL-2-AF	TBTC-250-38-C2-90	250	2x38.3	245	90	49	DA-13	2700	420	14.9