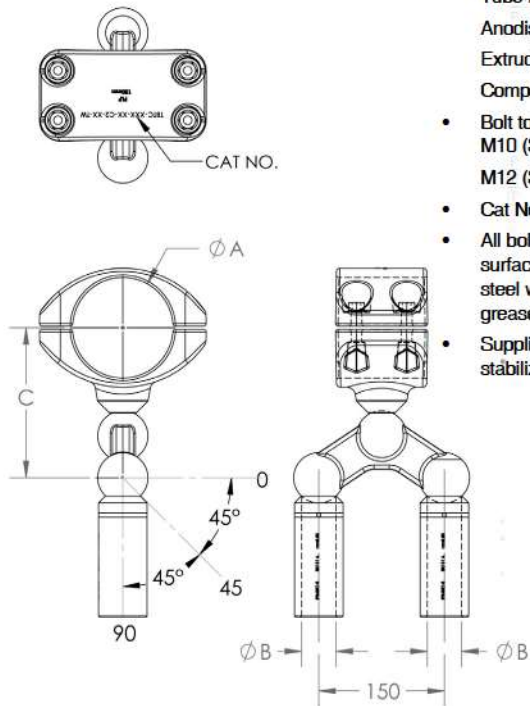


TBTC-C2-TW



NOTES:

- To connect a busbar to twin stranded conductor.
- Material: Fasteners for:
Tube diam. 80-120mm
Stainless steel Gr. A4.
Tube Diam. 150-250mm.
Anodised HT 7075 AL Alloy
Extruded aluminium tubing
Components are cast aluminium.
- Bolt torque values:
M10 (St steel) 35Nm, (AL) 21Nm
M12 (St steel) 60Nm, (AL) 36Nm
- Cat No. to be stamped in location shown.
- All bolted joint clamp and conductor/busbar surfaces to be cleaned with a stainless steel wire brush and a suitable conductive grease applied before use.
- Supplied in a clear, sealed, heavy duty, UV stabilized plastic bag.



ESKOM CODE	PLP CATALOGUE NO.	TUBE	CONDUCTOR		ANGLE OFFSET	AFTER COMP. (A.F.)	ALCAN DIE	MINIMUM RATED CURRENT @ 90°C	MAXIMUM VOLTAGE kV rms	WEIGHT kg
		DIAM. (A) mm	DIAM. (B) mm	(C) mm						
ETP-TW-2-A	TBTC-80-26-C2-0-TW	80	2x26.5	155	0	36	DA-10	1700	145	3.5
ETP-TW-2-B	TBTC-80-26-C2-45-TW	80	2x26.5	155	45	36	DA-10	1700	145	3.5
ETP-TW-2-C	TBTC-80-26-C2-90-TW	80	2x26.5	155	90	36	DA-10	1700	145	3.5
ETP-TW-2-D	TBTC-80-38-C2-0-TW	80	2x38.3	155	0	49	DA-13	2000	145	3.9
ETP-TW-2-E	TBTC-80-38-C2-45-TW	80	2x38.3	155	45	49	DA-13	2000	145	3.9
ETP-TW-2-F	TBTC-80-38-C2-90-TW	80	2x38.3	155	90	49	DA-13	2000	145	3.9
ETP-TW-2-N	TBTC-120-26-C2-0-TW	120	2x26.5	180	0	36	DA-10	1800	145	4.9
ETP-TW-2-P	TBTC-120-26-C2-45-TW	120	2x26.5	180	45	36	DA-10	1800	145	4.9
ETP-TW-2-Q	TBTC-120-26-C2-90-TW	120	2x26.5	180	90	36	DA-10	1800	145	4.9
ETP-TW-2-R	TBTC-120-38-C2-0-TW	120	2x38.3	180	0	49	DA-13	2700	145	5.4
ETP-TW-2-S	TBTC-120-38-C2-45-TW	120	2x38.3	180	45	49	DA-13	2700	145	5.4
ETP-TW-2-T	TBTC-120-38-C2-90-TW	120	2x38.3	180	90	49	DA-13	2700	145	5.4
ETP-TW-2-AA	TBTC-200-38-C2-0-TW	200	2x38.3	220	0	49	DA-13	2700	800	13.7
ETP-TW-2-AB	TBTC-200-38-C2-45-TW	200	2x38.3	220	45	49	DA-13	2700	800	13.7
ETP-TW-2-AC	TBTC-200-38-C2-90-TW	200	2x38.3	220	90	49	DA-13	2700	800	13.7
ETP-TW-2-AD	TBTC-250-38-C2-0-TW	250	2x38.3	245	0	49	DA-13	2700	800	14.9
ETP-TW-2-AE	TBTC-250-38-C2-45-TW	250	2x38.3	245	45	49	DA-13	2700	800	14.9
ETP-TW-2-AF	TBTC-250-38-C2-90-TW	250	2x38.3	245	90	49	DA-13	2700	800	14.9