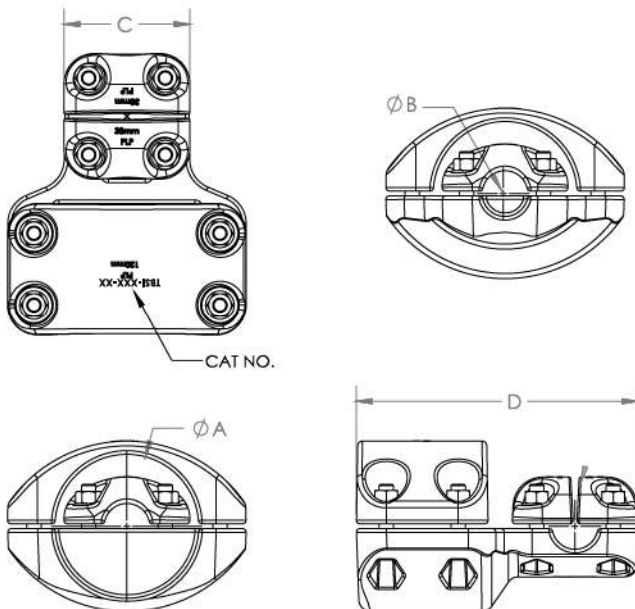


TBSI



NOTES:

- To connect a busbars to a single solid stem.
- Material: Fasteners for:
Tube diam. 80-120mm
Stainless steel Gr. A4.
Tube Diam. 150-250mm.
Anodised HT 7075 AL Alloy
Components are cast aluminium.
- Bolt torque values:
M10 (St steel) 35Nm, (AL.) 21Nm
M12 (St steel) 60Nm, (AL.) 36Nm
- Cat No. to be stamped in location shown.
- All bolted joint clamp and conductor/busbar surfaces to be cleaned with a stainless steel wire brush and a suitable conductive grease applied before use.
- Supplied in a clear, sealed, heavy duty, UV stabilized plastic bag.

ESKOM CODE	PLP CATALOGUE NO.	TUBE DIAM. (A) mm	STEM DIAM. (B) mm	(C) mm	(D) mm	MINIMUM RATED CURRENT @ 90°C	MAXIMUM VOLTAGE kV rms	WEIGHT kg
ECC-IL-ST-A	TBSI-80-26	80	26	105	205	900	145	3.3
ECC-IL-ST-B	TBSI-80-38	80	38	105	205	2500	145	3.2
ECC-IL-ST-E	TBSI-120-26	120	26	105	235	900	145	4.9
ECC-IL-ST-F	TBSI-120-38	120	38	105	235	2500	145	4.8
ECC-IL-ST-G	TBSI-120-60	120	60	205	310	3150	145	5.9
ECC-IL-ST-K	TBSI-200-60	200	60	160	350	3150	420	16.8
ECC-IL-ST-L	TBSI-250-60	250	60	160	525	3150	420	22.5