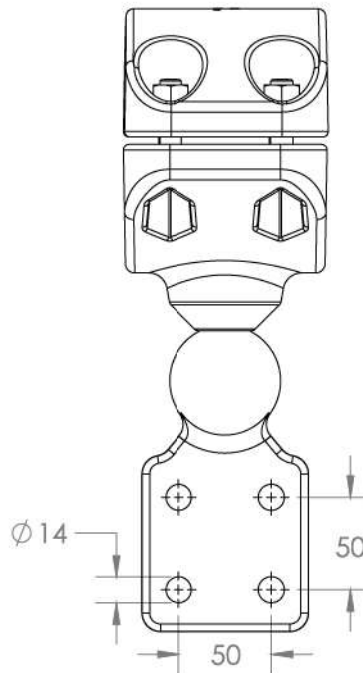
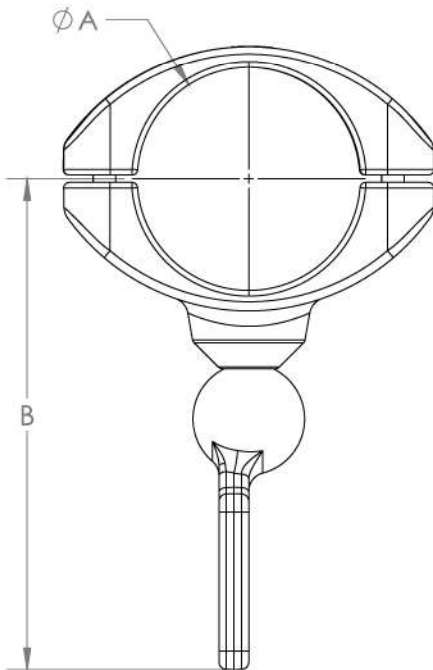
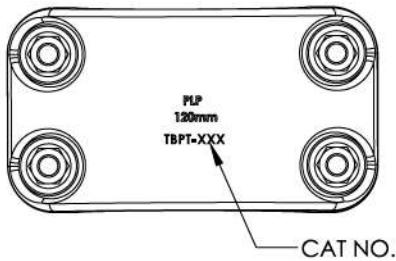


# TBPT



**NOTES:**

- To connect a busbar to 4-hole palm.
- Material: Fasteners for:  
Tube diam. 80-120mm  
Stainless steel Gr. A4.  
Components are cast aluminium.
- Bolt torque values:  
M10 (St steel) 35Nm  
M12 (St steel) 60Nm
- Cat No. to be stamped in location shown.
- All bolted joint clamp and conductor/busbar surfaces to be cleaned with a stainless steel wire brush and a suitable conductive grease applied before use.
- Supplied in a clear, sealed, heavy duty, UV stabilized plastic bag.

ESKOM CODE	PLP CATALOGUE NO.	TUBE DIAM. (A) mm	(B) mm	MINIMUM RATED CURRENT @ 90°C	MAXIMUM VOLTAGE kV rms	WEIGHT kg
ETP-PL-4H-A	TBPT-80	80	245	1350	145	2.4
ETP-PL-4H-C	TBPT-120	120	265	1350	145	3.8