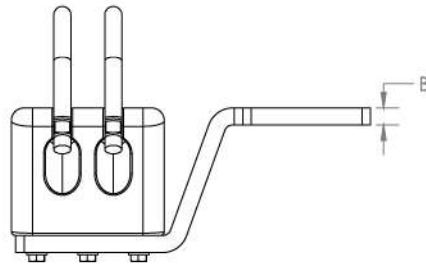
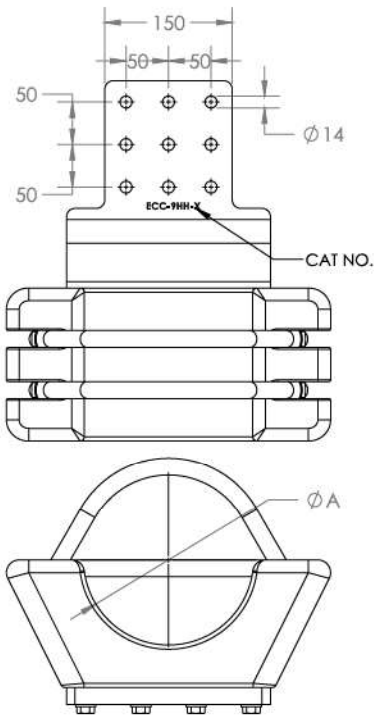


# TBP-9H-IL



**NOTES:**

- To connect a busbar to an 9 hole terminal.
- Material: Fasteners for:  
Tube Diam. 150-250mm.  
Anodised HT 7075 AL Alloy  
Components are cast aluminium.
- Bolt torque values:  
M12 (St steel) 60Nm, (AL.) 36Nm  
M20 (HDG) 90Nm  
M24 (HDG) 130Nm
- Cat No. to be stamped in location shown.
- All bolted joint clamp and conductor/busbar surfaces to be cleaned with a stainless steel wire brush and a suitable conductive grease applied before use.
- Supplied in a clear, sealed, heavy duty, UV stabilized plastic bag.

ESKOM CODE	PLP CATALOGUE NO.	TUBE DIAM. (A) mm	(B) mm	MINIMUM RATED CURRENT @ 90°C	MAXIMUM VOLTAGE kV rms	WEIGHT kg
ECC-9HH-A	TBP-200-9H-IL	200	20	4000	800	14.7
ECC-9HH-B	TBP-250-9H-IL	250	20	4000	800	18.9