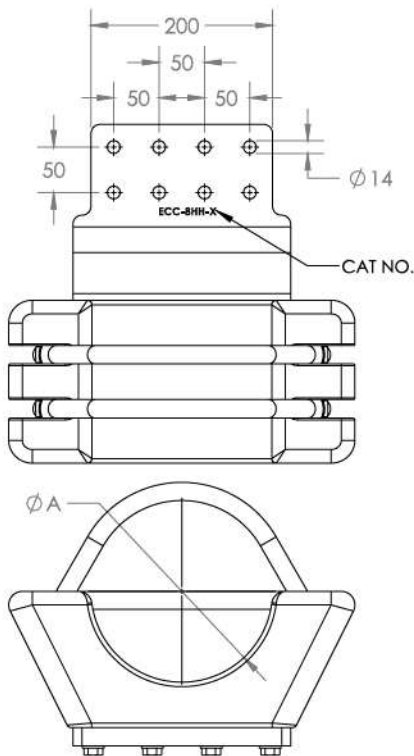


TBP-8H-IL



NOTES:

- To connect a busbar to an 8 hole terminal.
- Material: Fasteners for:
Tube diam. 80-120mm
Stainless steel Gr. A4.
Tube Diam. 150-250mm.
Anodised HT 7075 AL Alloy
Components are cast aluminium.
- Bolt torque values:
M12 (St steel) 60Nm, (AL.) 36Nm
M20 (HDG) 90Nm
M24 (HDG) 130Nm
- Cat No. to be stamped in location shown.
- All bolted joint clamp and conductor/busbar surfaces to be cleaned with a stainless steel wire brush and a suitable conductive grease applied before use.
- Supplied in a clear, sealed, heavy duty, UV stabilized plastic bag.

ESKOM CODE	PLP CATALOGUE NO.	TUBE DIAM. (A) mm	(B) mm	MINIMUM RATED CURRENT @ 90°C	MAXIMUM VOLTAGE kV rms	WEIGHT kg
ECC-8HH-C	TBP-200-8H-IL	200	20	4000	800	14.7
ECC-8HH-D	TBP-250-8H-IL	250	20	4000	800	18.9