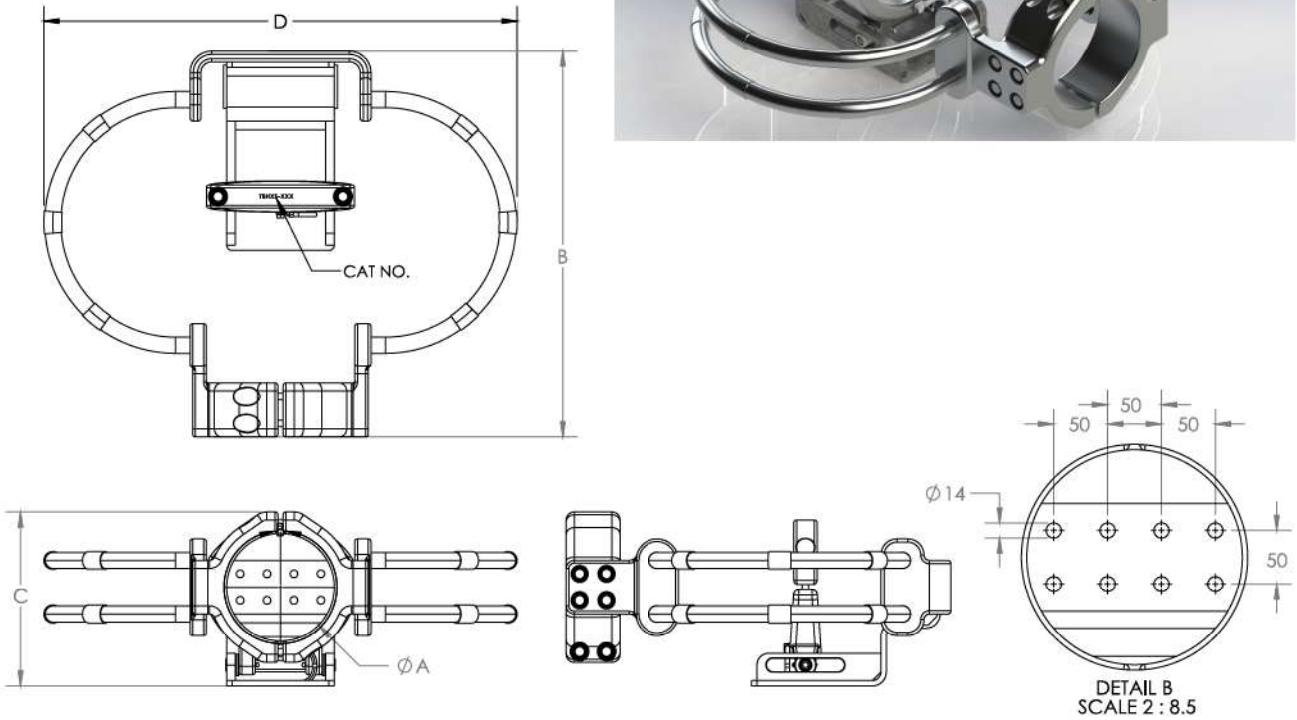


TBHXS-8H-IL



NOTES:

- To connect a busbar to an 8-hole terminal (expansion connection).
- **Material:** Fasteners for:
Tube diam. 80-120mm
Stainless steel Gr. A4.
Tube Diam. 150-250mm
Anodised HT 7075 AL Alloy.
Components are cast aluminium.
- **Bolt torque values:**
M10 (St steel) 35Nm, (AL.) 21 Nm
M12 (St steel) 60Nm, (AL) 36 Nm
- Cat No. to be stamped in location shown.
- All bolted joint clamp and conductor/busbar surfaces to be cleaned with a stainless steel wire brush and a suitable conductive grease applied before use.
- Supplied in a clear, sealed, heavy duty, UV stabilized plastic bag.
- Supplied with a static discharge strap.

ESKOM CODE	PLP CATALOGUE NO.	TUBE DIAM. (A) mm	(B) mm	(C) mm	(D) mm	MINIMUM RATED CURRENT @ 90°C	MAXIMUM VOLTAGE kV rms	WEIGHT kg
EEC-IL-8HV-S-A	TBHXS-200-8H-IL	200	720	325	880	4000	800	38.2
EEC-IL-8HV-S-B	TBHXS-250-8H-IL	250	735	380	930	4000	800	42.3