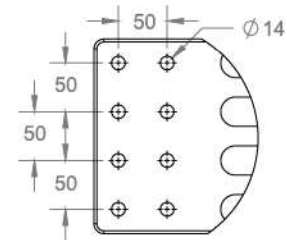
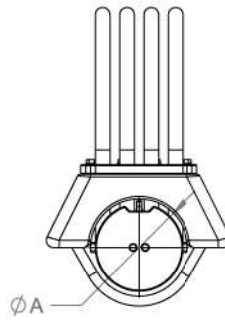
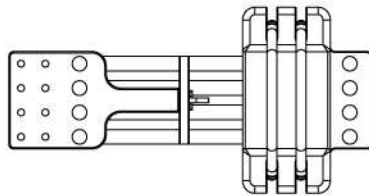
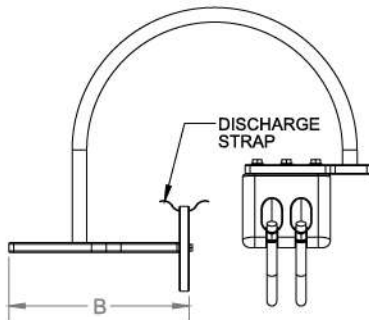
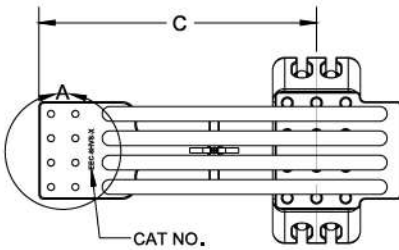


TBXS-8H-H



DETAIL A
SCALE 1 : 5

NOTES:

- To connect a busbar to an 8-hole terminal (expansion connection).
- Material: Fasteners for:
Tube diam. 80-120mm
Stainless steel Gr. A4.
Tube Diam. 150-250mm
Anodised HT 7075 AL Alloy.
HDG steel plate
Components are cast aluminium.
- Bolt torque values:
M10 (St steel) 35Nm, (AL) 21 Nm
M12 (St steel) 60Nm, (AL) 36 Nm
- Cat No. to be stamped in location shown.
- All bolted joint clamp and conductor/busbar surfaces to be cleaned with a stainless steel wire brush and a suitable conductive grease applied before use.
- Supplied in a clear, sealed, heavy duty, UV stabilized plastic bag.
- Supplied with a static discharge strap.
- Fitting supplied with a stainless steel discharge spring.

ESKOM CODE	PLP CATALOGUE NO.	TUBE	(B) mm	(C) mm	MINIMUM	MAXIMUM	WEIGHT
		DIAM.			RATED	VOLTAGE	
		(A) mm			CURRENT	kV rms	kg
EEC-8HH-S-C	TBXS-200-8H-H	200	370	600	@ 90°C 4000	800	20.7
EEC-8HH-S-D	TBXS-250-8H-H	250	370	615	4000	800	30.1