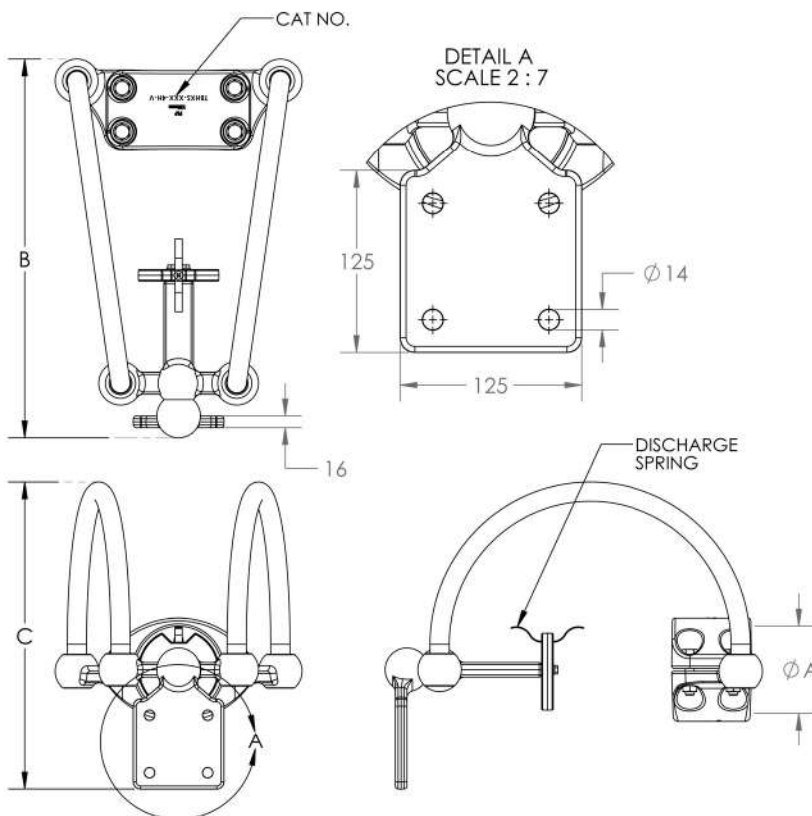


## TBHXS-4H-V



### NOTES:

- To connect a busbar to 4-hole terminal (expansion connection).
- Material: Fasteners for:  
Tube diam. 80-120mm  
Stainless steel Gr. A4.  
Tube Diam. 150-250mm.  
Anodised HT 7075 AL Alloy.  
HDG steel plate  
Components are cast aluminium.
- Bolt torque values:  
M10 (St steel) 35Nm, (AL.) 21 Nm  
M12 (St steel) 60Nm, (AL.) 36 Nm
- Cat No. to be stamped in location shown.
- All bolted joint clamp and conductor/busbar surfaces to be cleaned with a stainless steel wire brush and a suitable conductive grease applied before use.
- Supplied in a clear, sealed, heavy duty, UV stabilized plastic bag.
- Supplied with a static discharge strap.
- Fitting supplied with a stainless steel discharge spring.

ESKOM CODE	PLP CATALOGUE NO.	TUBE DIAM. (A) mm	(B) mm	(C) mm	MINIMUM RATED CURRENT @ 90°C	MAXIMUM VOLTAGE kV rms	WEIGHT kg
EEC-4HV-A	TBHXS-80-4H-V	80	490	395	2000	145	6.5
EEC-4HV-C	TBHXS-120-4H-V	120	520	425	3150	145	7.7