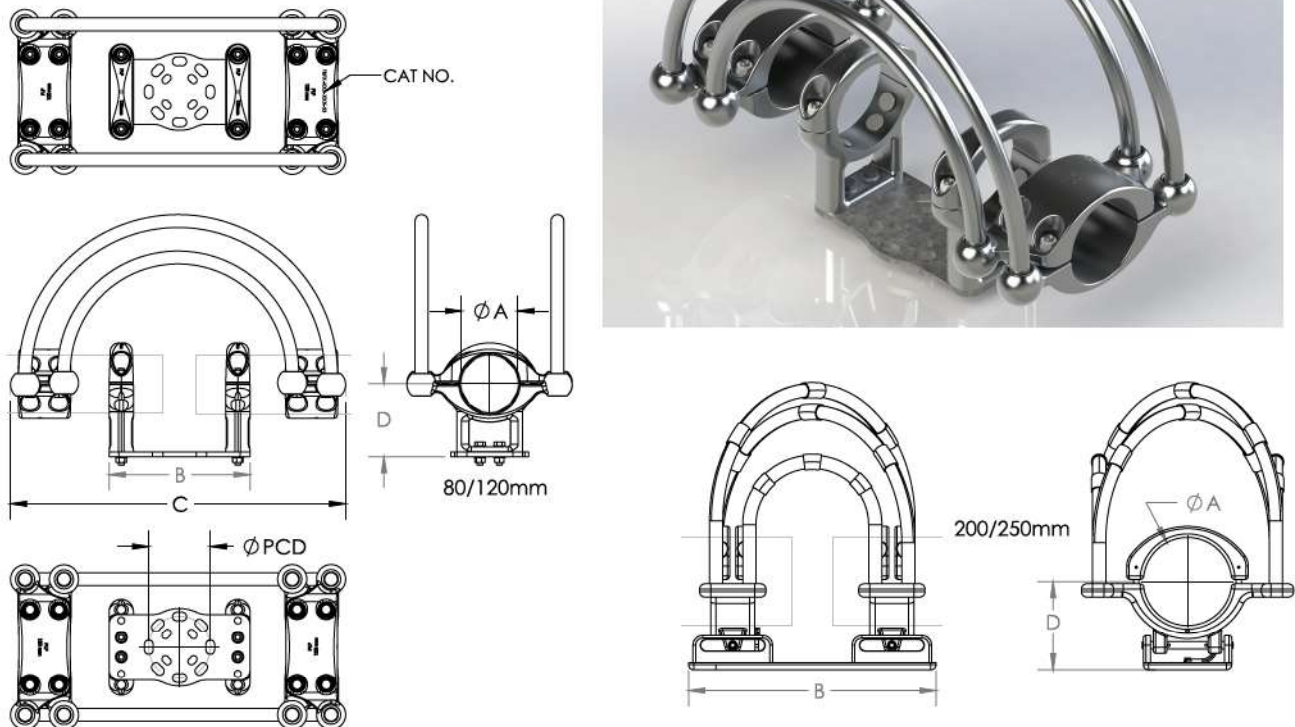


TBFX-SS



NOTES:

- To connect two busbars (Post insulator) sliding connection.
- Material: Fasteners for:
Tube diam. 80-120mm
Stainless steel Gr. A4.
Tube Diam. 150-250mm
Anodised HT 7075 AL Alloy.
Components are cast aluminium.
- Bolt torque values:
M10 (St steel) 35Nm, (AL) 21 Nm
M12 (St steel) 60Nm, (AL) 36 Nm
- Cat No. to be stamped in location shown.
- All bolted joint clamp and conductor/busbar surfaces to be cleaned with a stainless steel wire brush and a suitable conductive grease applied before use.
- Supplied in a clear, sealed, heavy duty, UV stabilized plastic bag.
- Stainless Steel discharge spring fitted to keeper.

ESKOM CODE	PLP CATALOGUE NO.	TUBE DIAM. (A) mm	PCD mm	(B) mm	(C) mm	(D) mm	MINIMUM RATED CURRENT @ 90°C	MAXIMUM VOLTAGE kV rms	WEIGHT kg
EEC-PI-SS-A/B	TBFX-80-SS	80	76/127	290	600	130	2000	145	14.3
EEC-PI-SS-E/F	TBFX-120-SS	120	76/127	290	690	150	2500	145	17.8
EEC-PI-SS-N/P/Q	TBFX-200-SS	200	76/127/225	580	580	250	4000	800	50.0
EEC-PI-SS-R	TBFX-250-SS	250	76/127/225	580	580	280	4000	800	61.1