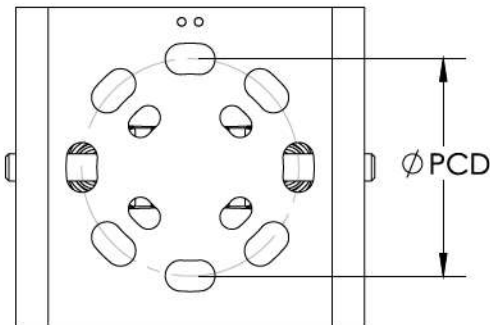
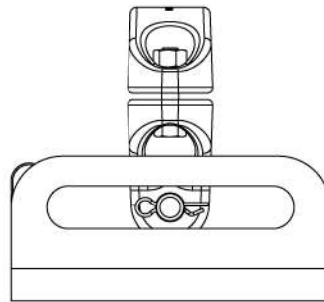
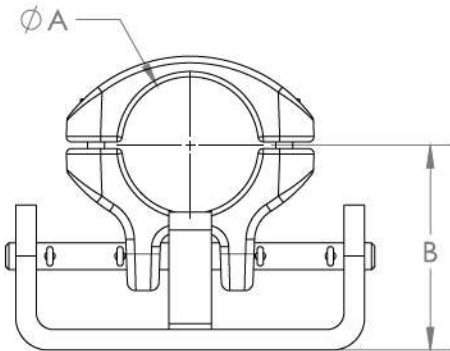


# TBFSS



**NOTES:**

- To connect two busbars (post insulator) sliding connection.
- Material: Fasteners for:  
 Tube diam. 80-120mm  
 Stainless steel Gr. A4.  
 Tube Diam. 150-250mm  
 Anodised HT 7075 AL Alloy.  
 Components are cast aluminium.
- Bolt torque values:  
 M10 (St steel) 35Nm, (AL.) 21 Nm  
 M12 (St steel) 60Nm, (AL) 36 Nm
- Cat No. to be stamped in location shown.
- All bolted joint clamp and conductor/busbar surfaces to be cleaned with a stainless steel wire brush and a suitable conductive grease applied before use.
- Supplied in a clear, sealed, heavy duty, UV stabilized plastic bag.
- Supplied with a static discharge strap.

ESKOM CODE	PLP CATALOGUE NO.	TUBE DIAM. (A) mm	(B)	"PCD"	MINIMUM RATED CURRENT @ 90°C	MAXIMUM VOLTAGE kV rms	WEIGHT kg
ESC-PI-S-A/B	TBFSS-80	80	120	76/127	2000	145	5.8
ESC-PI-S-E/F	TBFSS-120	120	150	76/127	3150	145	11.4