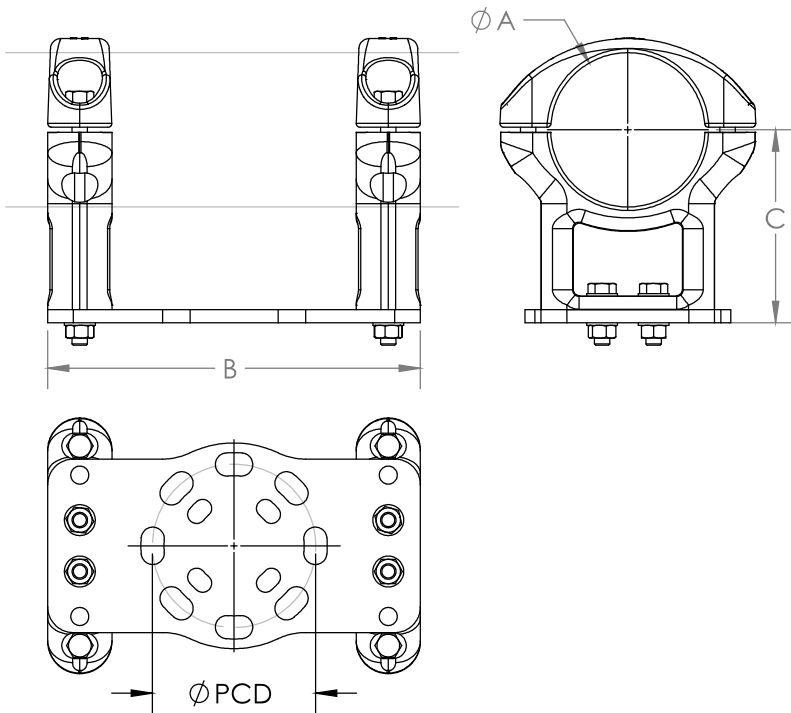
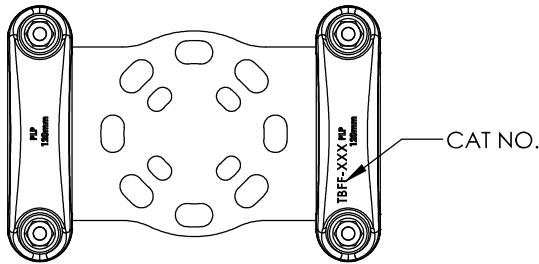


TBFF



NOTES:

- To connect two busbars (post insulator) fixed connection.
- Material: Fasteners for:
Tube diam. 80-120mm
Stainless steel Gr. A4,
Tube Diam. 150-250mm
Anodised HT 7075 AL Alloy,
Components are cast aluminium.
- Bolt torque values:
M10 (St steel) 35Nm, (AL.) 21 Nm
M12 (St steel) 60Nm, (AL) 36 Nm
- Cat No. to be stamped in location shown.
- All bolted joint clamp and conductor/busbar surfaces to be cleaned with a stainless steel wire brush and a suitable conductive grease applied before use.
- Supplied in a clear, sealed, heavy duty, UV stabilized plastic bag.

ESKOM CODE	PLP CATALOGUE NO.	TUBE DIAM. (A) mm	P.C.D.	(B)	(C)	MINIMUM RATED CURRENT	MAXIMUM VOLTAGE	WEIGHT kg
						@ 90°C	kV rms	
ESC-PI-TF-A/B	TBFF-80	80	76/127	290	120	2000	145	4.1
ESC-PI-TF-E/F	TBFF-120	120	76/127	290	150	3150	145	4.4
ESC-PI-TF-L/M	TBFF-200	200	76/127	350	200	4000	800	15.9
ESC-PI-TF-N/P	TBFF-250	250	76/127	350	220	4000	800	18.3