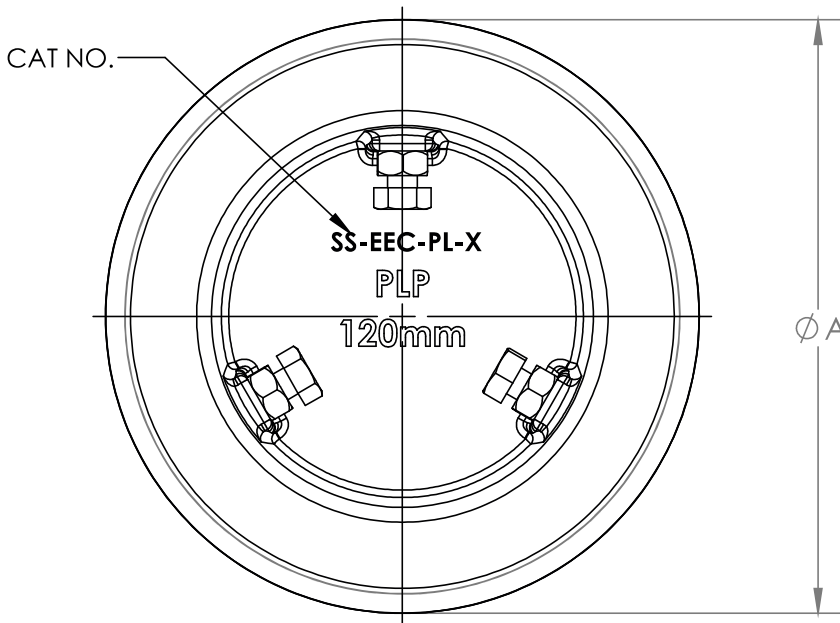
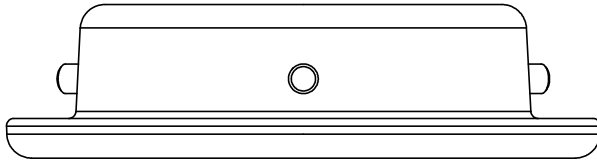


TBEC-P



NOTES:

- Busbar encap 80-250mm.
- Material: Fasteners for:
Cast aluminium
Stainless steel fasteners.
- Bolt torque values:
M6 (St steel) 20Nm
M8 (St steel) 25Nm
- Cat No. to be stamped in location shown.
- All bolted joint clamp and conductor/busbar surfaces to be cleaned with a stainless steel wire brush and a suitable conductive grease applied before use.
- Supplied in a clear, sealed, heavy duty, UV stabilized plastic bag.
- Castings can be powder coated to either White/Blue/Red. Add suffix "-W"/"-B"/"-R"/ to tabulated PLP Catalogue number. E.G. TBEC-P-120-W

ESKOM CODE	PLP CATALOGUE NO.	TUBE DIAM. (A) mm	MAXIMUM VOLTAGE kV rms	WEIGHT kg
EEC-PL-A	TBEC-P-80	80	145	0.12
EEC-PL-C	TBEC-P-120	120	145	0.36
EEC-PL-F	TBEC-P-200	200	800	2.20
EEC-PL-G	TBEC-P-250	250	800	3.36