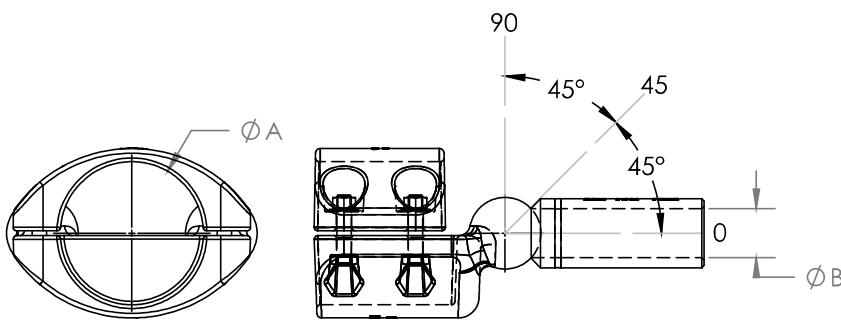
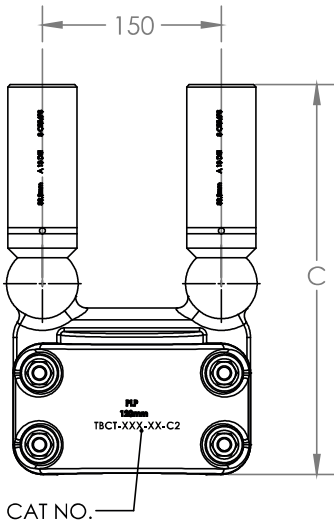


TBCT-C2



NOTES:

- To connect a busbar to twin stranded conductor.
- Material: Fasteners: Tube diam. 80-120mm Stainless steel Gr. A4. Extruded aluminium tubing Components are cast aluminium.
- Bolt torque values: M10 (St steel) 35Nm M12 (St steel) 60Nm
- Cat No. to be stamped in location shown.
- All bolted joint clamp and conductor/busbar surfaces to be cleaned with a stainless steel wire brush and a suitable conductive grease applied before use.
- Supplied in a clear, sealed, heavy duty, UV stabilized plastic bag.

ESKOM CODE	PLP CATALOGUE NO.	TUBE DIAM. (A) mm	CONDUCTOR DIAM. (B) mm	CONDUCTOR (C) mm	ANGLE OFFSET	MINIMUM	MAXIMUM	WEIGHT kg
						RATED CURRENT @ 90°C	VOLTAGE kV rms	
ETP-TE-IL-2-A	TBCT-80-26-C2-0	80	2X26.5	300	0	1700	145	3.2
ETP-TE-IL-2-B	TBCT-80-38-C2-0	80	2X38.3	300	0	2000	145	3.6
ETP-TE-IL-2-E	TBCT-120-26-C2-0	120	2X26.5	330	0	1700	145	4.8
ETP-TE-IL-2-F	TBCT-120-38-C2-0	120	2X38.3	330	0	2700	145	5.2
ETP-TE-IL-2-G	TBCT-200-38-C2-0	200	2X38.3	360	0	2700	800	8.5
ETP-TE-IL-2-H	TBCT-250-38-C2-0	250	2X38.3	375	0	2700	800	9.6