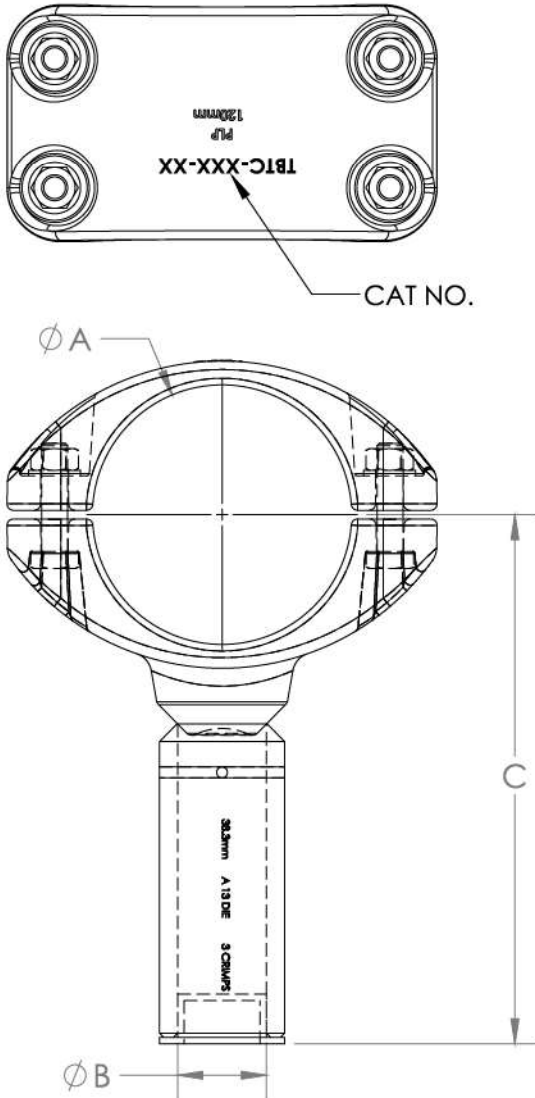


## TBCT-C1



**NOTES:**

- To connect a busbar to a stranded conductor.
- Material: Fasteners for:  
Tube diam. 80-120mm  
Stainless steel Gr. A4.  
Extruded aluminium tubing  
Components are cast aluminium.
- Bolt torque values:  
M10 (St steel) 35Nm, (AL.) 21Nm  
M12 (St steel) 60Nm, (AL.) 36Nm
- Cat No. to be stamped in location shown.
- All bolted joint clamp and conductor/busbar surfaces to be cleaned with a stainless steel wire brush and a suitable conductive grease applied before use.
- Supplied in a clear, sealed, heavy duty, UV stabilized plastic bag.

ESKOM CODE	PLP CATALOGUE NO.	TUBE DIAM. (A) mm	CONDUCTOR DIAM. (B) mm	(C) mm	AFTER COMP. (A.F.) mm	ALCAN DIE	MINIMUM RATED CURRENT @ 90°C	MAXIMUM VOLTAGE kV rms	WEIGHT kg
ETP-IL-1-A	TBCT-80-16-C1	80	16.3	220	26	K-32	450	145	1.8
ETP-IL-1-B	TBCT-80-26-C1	80	26.5	220	36	DA-10	900	145	2.0
ETP-IL-1-C	TBCT-80-38-C1	80	38.3	220	49	DA-13	1350	145	2.2
ETP-IL-1-G	TBCT-120-16-C1	120	16.3	240	26	K-32	450	145	3.2
ETP-IL-1-H	TBCT-120-26-C1	120	26.5	240	36	DA-10	900	145	3.4
ETP-IL-1-J	TBCT-120-38-C1	120	38.3	240	49	DA-13	1350	145	3.6
ETP-IL-1-M	TBCT-200-38-C1	200	38.3	280	49	DA-13	1350	145	5.3
ETP-IL-1-N	TBCT-250-38-C1	250	38.3	305	49	DA-13	1350	145	6.0