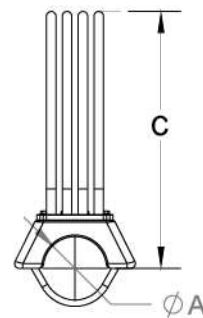
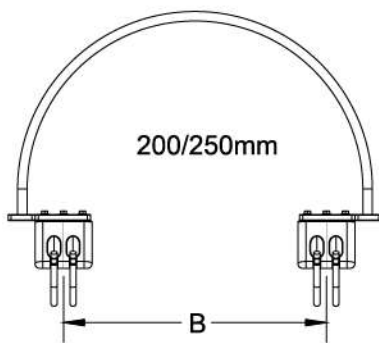
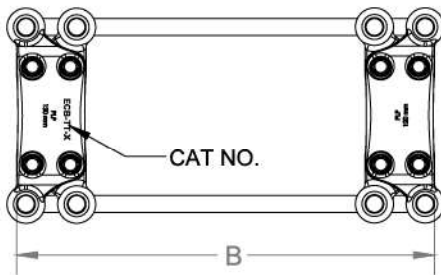
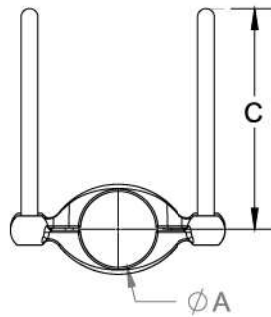
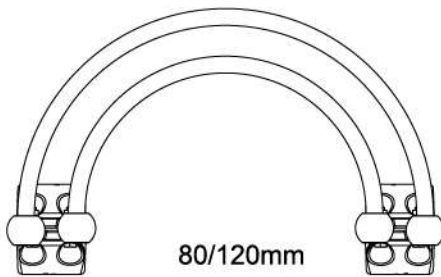


# TBCB



**NOTES:**

- To connect two busbars current bridge.
- Material: Fasteners for:  
Tube diam. 80-120mm  
Hot dipped Galvanised Gr8.8  
Stainless steel Gr. A4.  
Tube Diam. 150-250mm.  
Anodised HT 7075 AL Alloy  
Components are cast aluminium.
- Bolt torque values:  
M10 (St steel) 35Nm, (AL.) 21Nm  
M12 (St steel) 60Nm, (AL.) 36Nm  
M20 (HDG) 90Nm  
M24 (HDG) 130Nm
- Cat No. to be stamped in location shown.
- All bolted joint clamp and conductor/busbar surfaces to be cleaned with a stainless steel wire brush and a suitable conductive grease applied before use.
- Supplied in a clear, sealed, heavy duty, UV stabilized plastic bag.

ESKOM CODE	PLP CATALOGUE NO.	TUBE DIAM.			MINIMUM RATED CURRENT @ 90°C	MAXIMUM VOLTAGE kV rms	WEIGHT kg
		(A) mm	(B) mm	(C) mm			
ECB-TT-A	TBCB-80	80	600	340	2000	145	10.2
ECB-TT-C	TBCB-120	120	660	350	3150	145	13.3
ECB-TT-F	TBCB-200	200	720	510	4000	800	28.8
ECB-TT-G	TBCB-250	250	720	550	4000	800	35.3