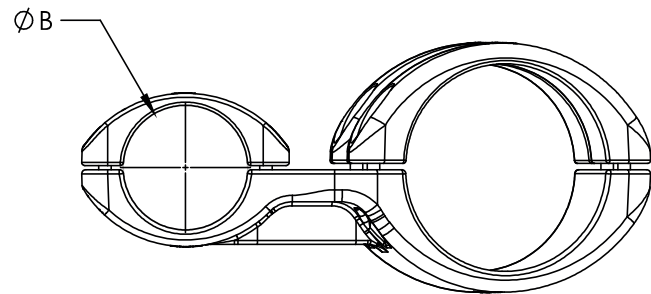
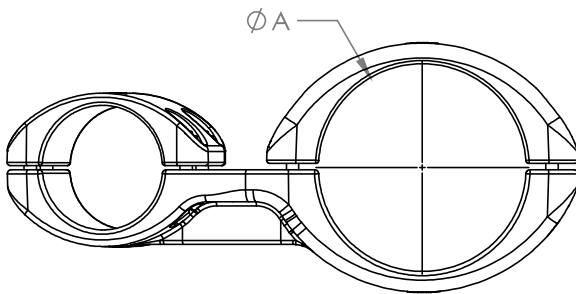
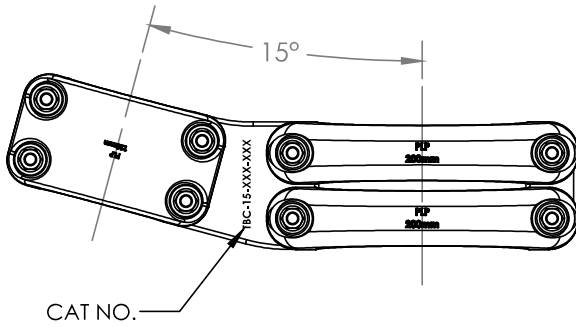


TBC-15



NOTES:

- To connect two busbars as a 15 degrees offset (from run) connection.
- Material: Fasteners for:
Tube diam, 80-120mm
Stainless steel Gr. A4.
Tube Diam, 150-250mm
Anodised HT 7075 AL Alloy.
Components are cast aluminium.
- Bolt torque values:
M10 (St steel) 35Nm, (AL.) 21 Nm
M12 (St steel) 60Nm, (AL) 36 Nm
- Cat No. to be stamped in location shown.
- All bolted joint clamp and conductor/busbar surfaces to be cleaned with a stainless steel wire brush and a suitable conductive grease applied before use.
- Supplied in a clear, sealed, heavy duty, UV stabilized plastic bag.

ESKOM CODE	PLP CATALOGUE NO.	TUBE DIAM. (A) mm	TUBE DIAM. (B) mm	MINIMUM RATED CURRENT @ 90°C	MAXIMUM VOLTAGE kV rms	WEIGHT kg
ESC-V-TT 15-A	TBC-15-200-120	200	120	3150	800	10.5
ESC-V-TT 15-B	TBC-15-250-120	250	120	3150	800	18.6