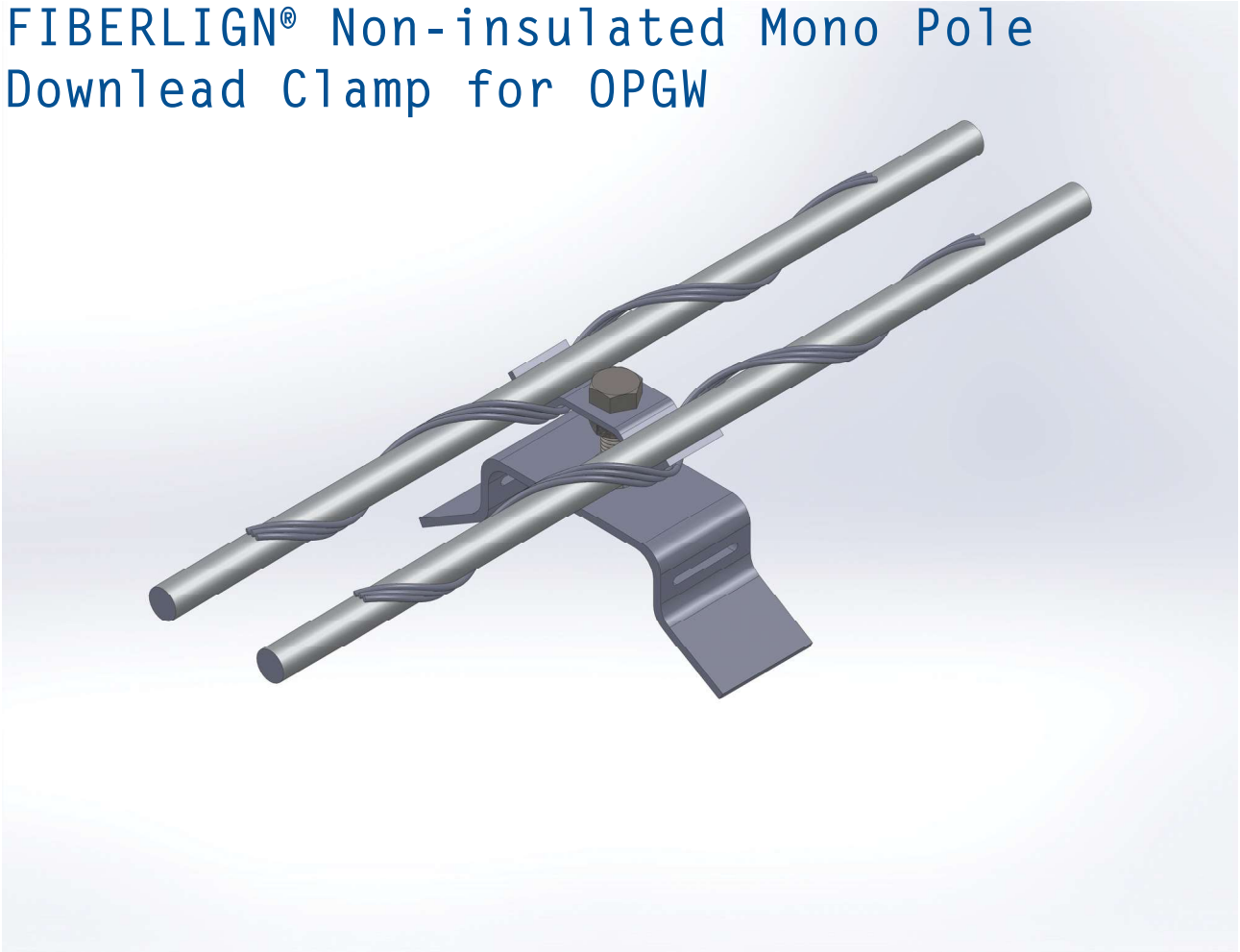


FIBERLIGN® Non-insulated Mono Pole Downlead Clamp for OPGW



Be sure to read and completely understand this procedure before applying product. Be sure to select the proper PREFORMED™ product before application.

1. Nomenclature

1.2 Type – Cat No. suffix in accordance with cable O.D.

| PART NO. DCMP... | OPGW DIAM. (mm) |
|---------------------|--------------------|
| 400 – 449 | 10.2 – 11.4 |
| 452 – 481 | 11.5 – 12.2 |
| 482 – 511 | 12.2 – 13.0 |
| 512 – 542 | 13.0 – 13.8 |
| 543 – 577 | 13.8 – 14.7 |
| 578 – 614 | 14.7 – 15.6 |
| 615 – 651 | 15.6 – 16.5 |
| 651 – 692 | 16.5 – 17.6 |
| 693 – 737 | 17.6 – 18.7 |
| 738 – 784 | 18.7 – 20.0 |

Catalogue Number: DCMP