

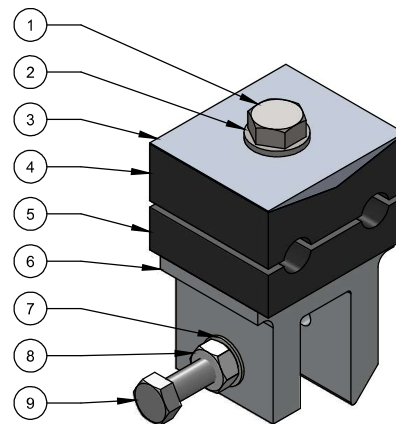
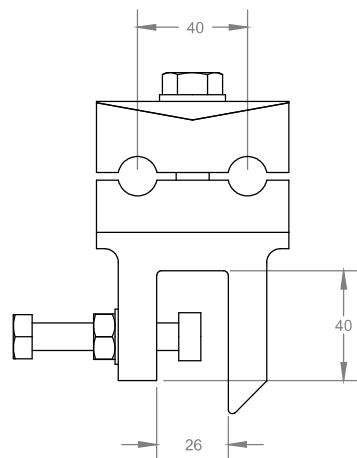
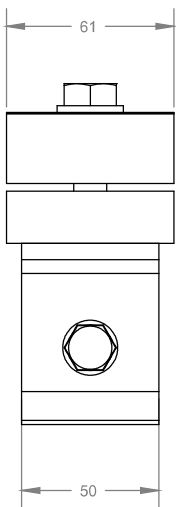
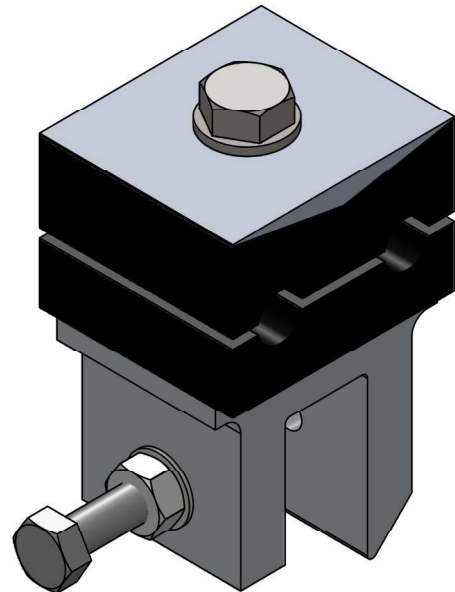
FIBERLIGN® Downlead Cushioned Clamp

The clamp body is made from aluminium alloy, and is designed to clamp onto the angle iron member of steel towers, and to secure OPGW or ADSS downleads to structures while minimising compressive clamping forces which could be transferred to the optical elements.

The fasteners are stainless steel and specially selected for this application. The unit is supplied complete with urethane cushions of the selected size.

Catalogue Number: DC

CATALOGUE NO.	DIAMETER RANGE (mm)	
	MIN.	MAX.
DC 8003041	9.5	11.8
DC 8003042	11.9	14.3
DC 8003043	14.4	16.7
DC 8003044	16.8	19.0



ITEM NO.	DESCRIPTION	QTY
1	M12x60 Stainless Steel Hex Set Screw	1
2	M12 Stainless Steel Flat Washer	1
3	Aluminium Cap	1
4	Urethane Downlead Cushion	1
5	Urethane Downlead Cushion	2
6	Aluminium Down Lead Clamp	1
7	M10 Stainless Steel Flat Washer	1
8	M10 Stainless Steel Nut	1
9	M10 Hex Set with Free Spin Washer End	1