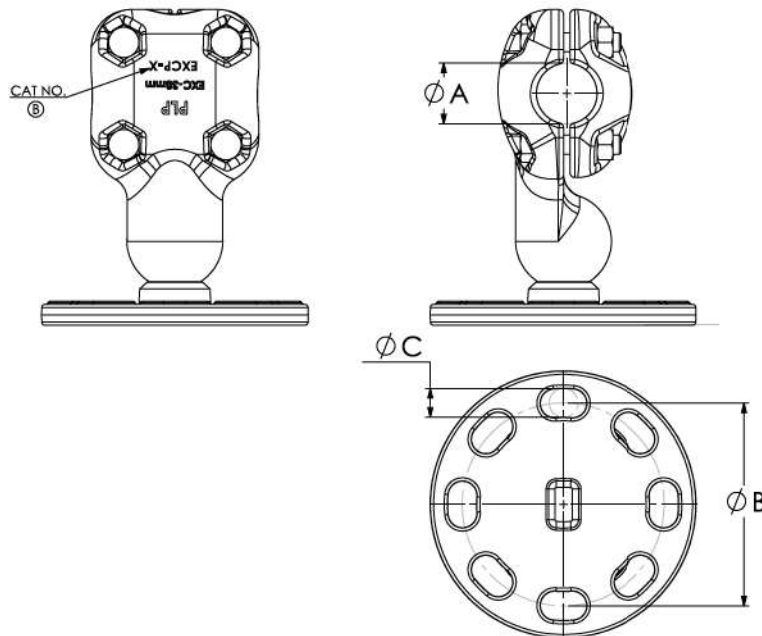


EXCP

These pedestal-mounted bolted clamps are intended for making connections between stranded conductors and post insulators.



NOTES:

- Non-current carrying for supporting stranded conductor on post insulators.
- Fasteners M12 GR. 8.8 HDG torque to 45Nm.
- Cat. no. to be stamped as shown.
- All bolted clamp and conductor surfaces with stainless steel wire brush and a suitable conductive grease applied before use.
- Material: Cast aluminium.
- Supplied in clear, sealed, heavy duty, UV stabilized plastic bag.

NEW TYPE DESIGNATION	RUN SIZE (mm) A	(B) PCD (mm)	RATED CURRENT [IN] (A RMS)	MAXIMUM VOLTAGE [UM] (KV RMS)
EXCP – A	26.5	76	900	145
EXCP – B	26.5	127	900	145
EXCP – C	38.3	76	1300	145
EXCP – D	38.3	127	1300	145

- All clamps supplied with M12 HDG bolts, nuts and washers
- Recommended Torque: 45 Nm