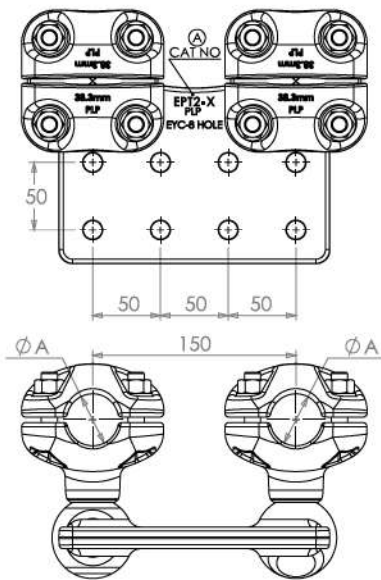


EPT 2

These bolted-type clamps shall be used mainly for connecting twin stranded conductors to earth switches with 8-hole pad terminals.



NOTES:

- To connect a flat terminal to a stranded conductor by bolting palm to terminal and crimping conductor in compression tube.
- Recommended fasteners M12 GR. 8.8 HDG torque to 45Nm.
- Compression die and size stamped on tube. All terminal, palm and conductor surfaces to be cleaned with stainless steel wire brush and a suitable conductive grease applied before use.
- Material: Cast aluminium.
- Supplied in clear, sealed, heavy duty, UV stabilized plastic bag.
- Cat. no. to be stamped as shown.

NEW TYPE DESIGNATION	CONDUCTOR DIAMETER (mm) (A)	CONDUCTOR SPACING (mm)	EQUIPMENT TERMINAL	RATED CURRENT [IN] (A RMS)	MAXIMUM VOLTAGE [UM] (KV RMS)
EPT2 - A	2 x 26.5	150	8 Bolt Pad	1700	145
EPT2 - B	2 x 38.3	150	8 Bolt Pad	2700	420

- All clamps supplied with M12 HDG bolts, nuts and washers
- Recommended Torque: 45 Nm