



SUBSTATION CONNECTORS

TUBULAR ALUMINIUM



ABOUT PLP

PLP protects the world's most critical connections by creating stronger and more reliable networks. Our precision-engineered solutions are trusted by energy and communications providers to perform better and last longer. PLP, a recognized world leader in conductor protection and support, began operations in 1947 with the introduction of the Armor Rod, an innovative helical product that fundamentally changed the electric utility industry. Since then, PLP has continued to introduce innovative products, like the ARMOR-GRIP® Suspension, which to this day still provides the best protection against static and dynamic stresses at the conductor's support point. With offices and manufacturing facilities in over 20 countries, PLP now works as a united global corporation, delivering high-quality products and unparalleled service to customers around the world.



STANDARD TERMS AND CONDITIONS OF BUSINESS

1. APPLICATION OF CONDITIONS

These terms and conditions shall govern, and control all offers and sales by PREFORMEDLINE PRODUCTS (SOUTH AFRICA) (PTY) LTD. (herein called "PLP"). Unless expressly accepted in writing signed at its head office in Pietermaritzburg by an authorised signatory, any qualification of these conditions in a customer's order or enquiry, or anything contrary to or conflicting with any of these conditions shall be treated as inapplicable and of no effect.

2. ACCEPTANCE

Any tender or quotation by PLP only applies for thirty days from date thereof; and no order shall bind PLP until the customer shall receive written confirmation thereof from PLP, duly signed on behalf of PLP.

3. PRICES

All prices are nett, F.O.R. Works at Pietermarit burg and subject to change without notice. Value Added Tax (VAT) is not included and will be added-on where applicable.

4. FINANCIAL RESPONSIBILITY

The customer's financial responsibility is at all times subject to approval of PLP's credit department and PLP at any time may require payment in advance for a satisfactory security or guarantee that invoices will be paid promptly when due. If the customer fails to comply with any term of payment, PLP reserves the right to withhold further deliveries or to terminate the agreement and any unpaid amount thereupon shall become due immediately.

5. TERMS OF PAYMENT

Unless otherwise specifically agreed between PLP and the customer in writing, The customer shall pay PLP immediately on presentation of an invoice before delivery, without deduction or set-off, and payments shall not be withheld or deferred on the basis of any claims as alleged by the customer against PLP.

6. DELIVERY

The PLP will use its best endeavours to deliver the products by the time fixed for delivery, but if from any cause other than the wilful default of PLP delivery is delayed, PLP will not be responsible for any loss or damage thereby caused to the customer. Failure of one delivery shall not vitiate the contract as to others. No responsibility is accepted for delays due to loss in manufacturing or for damage and/or other delays due to Act of God, War, Fire, Civil Commotion, Accidents, and for other causes beyond PLP's control. Offers of delivery from stock are subject to the fitting being unsold on receipt of order.

7. DELIVERY CHARGES

Unless otherwise agreed in writing or stated in the confirmation of the order, delivery charges are for the customer's account.

8. WARRANTY

PLP warrants that all products manufactured and /or supplied by PLP are free from defects in material and workmanship under normal and proper usage for a period of one year from the date of delivery. Products must be installed and maintained to PLP's recommended procedures, and subject to the provisions of clause 9 below that in the event of breach of this warranty, PLP's liability will be limited to the freer replacement only of the products provided such defect is proved to be directly attributable to defective materials or workmanship and subject to a claim being received by PLP in writing within 14 (Fourteen) days of such defect. This warranty is exclusive and in lieu of all other warranties, whether express, implied or otherwise arising by operation of law, trade, or course of dealing. In addition, the remedies set forth herein are the sole and exclusive remedies. PLP shall not be liable for any consequential or incidental damages of any kind.

9. LIABILITY

The liability of PLP for any loss or damage, including special, general, direct or consequential, in respect of any claim arising out of any contract entered into with a customer in connection with the manufacture and /or the sale and/or the supply and/or the delivery of our products, whether such claim shall be for breach of any statutory duty or for any delict (including the negligence of our employees or servants) shall not exceed the sale price of the relevant products sold to the customer. In addition, under no circumstance will PLP be liable for any costs associated with fires and wildfires including costs for clean-up efforts.

10. PACKING

All goods are packed in PLP's standard corrugated cartons, wooden crates and/or suitable alternatives at PLP's discretion.

11. LOSS OR DAMAGE IN TRANSIT

PLP is not responsible for this risk. In the case where PLP has accepted transit risk in terms of clause 1 of these conditions, transit loss or damage must be reported by the customer or consignee immediately in writing to the carrier, and also to PLP. Documentary evidence, as prescribed by the CARRIERS must be given by the consignee to PLP within seven days of receipt of the consignment in question.

12. TESTING AND INSPECTION

When testing and inspection is specified by customers and agreed to by PLP, PLP shall test/inspect at its Works in a suitable area designated by PLP.

13. DEVIATION IN QUANTITIES MANUFACTURED

Products manufactured are subject to a deviation of plus minus 10% in quantity.

14. STANDARD PACKS

PLP reserves the right to supply in increments its standard packs.

15. CANCELLATION

The customer shall not be entitled to cancel or repudiate any order or refuse to accept delivery of any order and/or claim damages or set-off as a consequence of late or short delivery.

STANDARD TERMS AND CONDITIONS OF BUSINESS

16. RETURNS

No product shall be returned without PLP's prior written authorization. Only non-obsolete standard items in original cartons may be returned. Carriage must be prepaid. Requests for return must be instituted within 90 days of original delivery and returns will be subject to factory inspection before acceptance and credit authorization. PLP reserves the right to apply a minimum servicing charge of 10% of the invoice amount..

17. SPECIFICATIONS

PLP reserves the right to change specifications without prior notice.

18. OWNERSHIP AND RISK

Notwithstanding the delivery of any product to a customer, ownership of the product shall not pass to the customer until PLP has received payment in full of the contract price of the said product. Risk in the product shall pass to the customer on delivery.

19. COSTS

Should PLP incur legal costs regarding litigation with the customer or for the collection of any amount due by the customer, the customer shall pay such costs on the attorney-and-client scale as well as collection costs calculated at 10% (TEN PERCENT) of each and every payment made.

20. CONFIDENTIALITY

The customer agrees that all information furnished by or obtained from PLP in connection with the sale of goods hereunder will be confidential, and the Buyer agrees not to disclose any such information to any other person, or use such information for any purpose, other than performing this contract.

21. MISCELLANEOUS

The failure of either party to insist upon performance of any term or condition herein or to exercise any right or privilege shall not thereafter waive the future performance of such term, condition, right of privilege or of any other terms, conditions, rights or privileges, whether of the same or similar type. The rights herein and the construction of these Terms and Conditions shall be governed by the laws of the Republic of South Africa, without giving effect to principles of conflict of laws, invalid or unenforceable, the remaining provisions shall not be affected thereby, but shall remain in full force and effect. The paragraph headings herein are solely for the convenience of and reference by the parties and do not constitute any part of these Terms and Conditions. The customer may not assign its rights or delegate its obligations hereunder without PLP's prior written consent.

22. FOREIGN LAW

Save for these terms and conditions being governed by the laws of the Republic of South Africa, PLP complies with the Foreign Corrupt Practices Act (FCPA) Customer agrees that it will comply with all relevant laws, and will comply with all laws regarding bribery including, but not limited to, FCPA.

23. PATENT

PLP shall defend the customer against any claim of infringement and shall pay any resulting damages finally awarded, provided that (a) the customer promptly notifies PLP in writing of any claim, and (b) PLP has sole control of the defence and all related settlement negotiations. This obligation does not apply to claims arising out of combinations of goods with goods provided by others, or to claims resulting from compliance of goods with the customer's design or specifications, or which the customer assumes and shall hold PLP harmless for any claims thereof.



SUBSTATION PROJECTS COMPLETED IN OVER 100 COUNTRIES WORLDWIDE

With 25 global locations, PLP is recognized around the world as a market leader in developing innovative and dependable solutions for electric power delivery systems.



Basslink HVDC
(Australia)
500 kV

UW Bisamberg
(Austria)
380 kV

Western Alberta
Transmission Line
HVDC (Canada)
500 kV

JinPing HVDC
(P.R. China)
800 kV

UPME (Colombia)
525 kV

(Finland - Estonia)
400 kV

SylWin (Germany)
330 kV

NEA 800 HVDC (India)
800 kV

Rahim Yar Khan
(Pakistan)
500 kV

Moyle HVDC
(Scotland - Northern Ireland)
420 kV

ESKOM (South Africa)
400 kV

Tha Tako (Thailand)
500 kV

Neptune HVDC (U.S.)
500 kV

Yaracuy - La Arenosa
(Venezuela)
765 kV

SALES CONTACTS



SUBSTATION CONNECTORS SALES

CUSTOMER SUPPORT

SUPPORT:

Tel: (033) 397 5800

Fax: (033) 387 7094

Email: sales.sa@plp.com



CONTENTS

SUBSTATION CONNECTORS

TUBULAR ALUMINIUM CONNECTORS

TBFC	10
TBSC	12
TBFCTS	14
TBC.....	16
TBT.....	18
TBFE.....	20
TBSS.....	22
TBFSS.....	24
TBC-15.....	26
TBT-15	28
TBTFS	30
TBTSS	32
TBFX-SS.....	34
TBFX-FS	36
TBHXS-8H-IL.....	38
TBHXS-8H-0	40
TBHXS-8H-H	42
TBHXS	44
TBHXS-4H-V	46
TBVHX	48
TBHXS	50
TBFX-SS-90	52
TBFX-FS-90	54
TBCB	56
TBP-8H-IL.....	58
TBP-9H-IL	60
TBP-8H-TO	62
TBP-9H-TO	64

CONTENTS

SUBSTATION CONNECTORS

TUBULAR ALUMINIUM CONNECTORS

TBP-9H-0	66
TBSI	68
TBST	70
TBCT-C1.....	72
TBTC-C2	74
TBTC-C3	76
TBTC-C2-TW.....	78
TBCT-C3-TW	80
TBCT-C1	82
TBCT-C2	84
TBTO	86
TBPT	88
TBWI-0	90
TBWI-30	92
TBWI-45	94
TBWI-78	96
TBWI-90.....	98
TBWI-2C-45	100
TBEC-C.....	102
TBEC-P.....	104
TBEC	106
TBET	108
TBEET	110
TBS	112
TBTO-90	114
TBPT-90	116

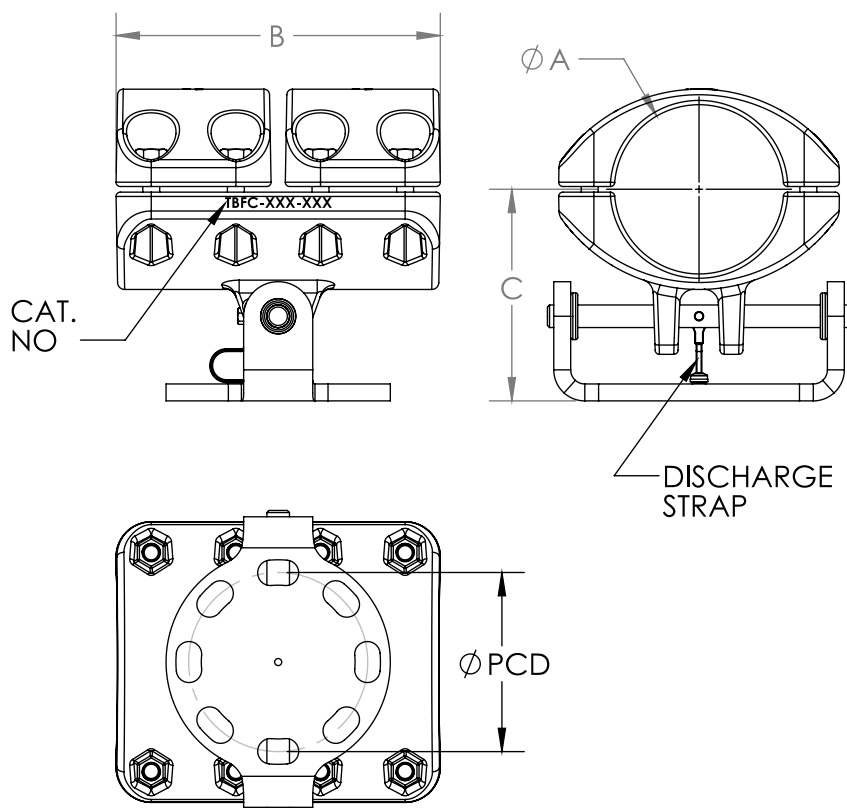


TBFC

FEATURES AND BENEFITS

- To connect two busbars (post insulators) fixed connection.
- Bolt torque values: M10(St steel) 35Nm, (AL.) 21Nm M12 (St steel) 60Nm, (AL) 36Nm.
- Material Fasteners for: Tube diam. 80-120mm, Stainless steel Gr. A4. Tube Diam. 150-250mm Anodised HT 7075 AL Alloy. Components are cast aluminium.
- Cat No. to be cast on substation body casting.
- All bolted clamp and conductor/busbar surfaces to be cleaned with a stainless steel wire brush and a suitable conductive grease applied before use.
- Supplied with a static discharge strap.
- Supplied in clear, sealed, heavy duty, UV stabilized plastic bag.

TBFC SPECIFICATION



Eskom Code	PLP Cat. No.	Tube Dia. (A) (mm)	P.C.D (mm)	(B) (mm)	(C) (mm)	Maximum Voltage [KV rms]	Weight KG
ECC-PI-F-A	TBFC-80-76	80	76	190	125	145	3.9
ECC-PI-F-B	TBFC-80-127	80	127	190	125	145	4.4
ECC-PI-F-E	TBFC-120-76	120	76	230	150	145	6.8
ECC-PI-F-F	TBFC-120-127	120	127	230	150	145	7.3
ECC-PI-F-J	TBFC-200-225	200	225	250	210	800	26.2
ECC-PI-F-K	TBFC-250-225	250	225	375	232	800	32.0

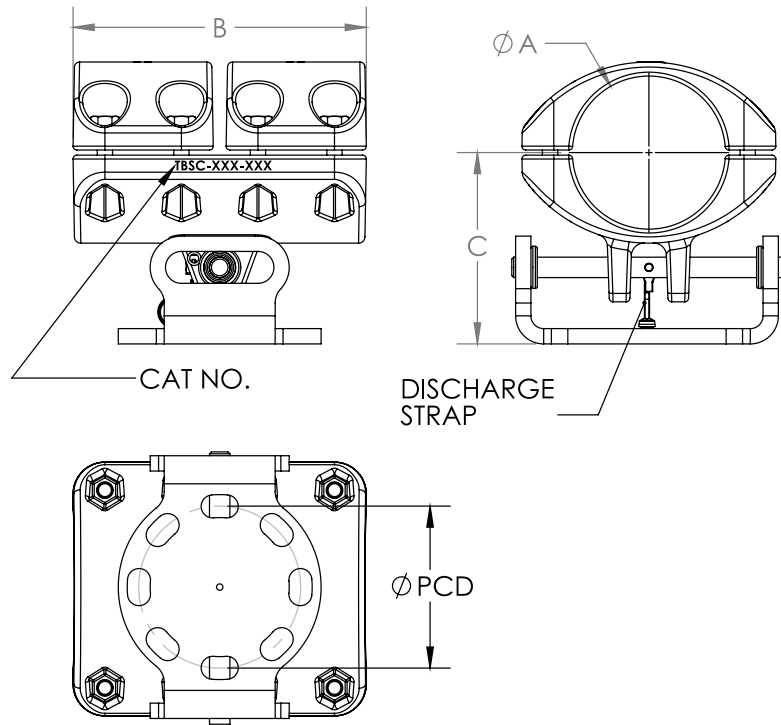


TBSC

FEATURES AND BENEFITS

- To connect two busbar (post insulators) sliding connection.
- Material: Fasteners for: Tube diam. 80 - 120mm Stainless Gr. A4. Tube Diam. 150-250mm Anodised HT 7075 AL Alloy. Components are cast aluminium.
- Cat No. to be stamped on substation body casting.
- All bolted joint clamp and conductor/busbar surfaces to be cleaned with a stainless steel wire brush and a suitable conductive grease applied before use.
- Supplied with a static discharge strap.
- Supplied in clear, sealed, heavy duty, UV stabilized plastic bag.

TBSC SPECIFICATION



Eskom Code	PLP Cat. No.	Tube Dia. (A) (mm)	P.C.D (mm)	(B) (mm)	(C) (mm)	Maximum Voltage [KV rms]	Weight KG	Minimum Current Rating @ 90°C
EEC-PI-S-A	TBSC-80-76	80	76	190	125	145	3.9	2000
EEC-PI-S-B	TBSC-80-127	80	127	190	125	145	4.4	2000
EEC-PI-S-E	TBSC-120-76	120	76	230	150	145	6.8	3150
EEC-PI-S-F	TBSC-120-127	120	127	230	150	145	7.3	3150
EEC-PI-S-J	TBSC-200-225	200	225	250	210	800	26.2	4000
EEC-PI-S-K	TBSC-250-225	250	225	375	232	800	32.0	4000
EEC-PI-S-L	TBSC-200-127	200	127	250	210	800	21.3	4000

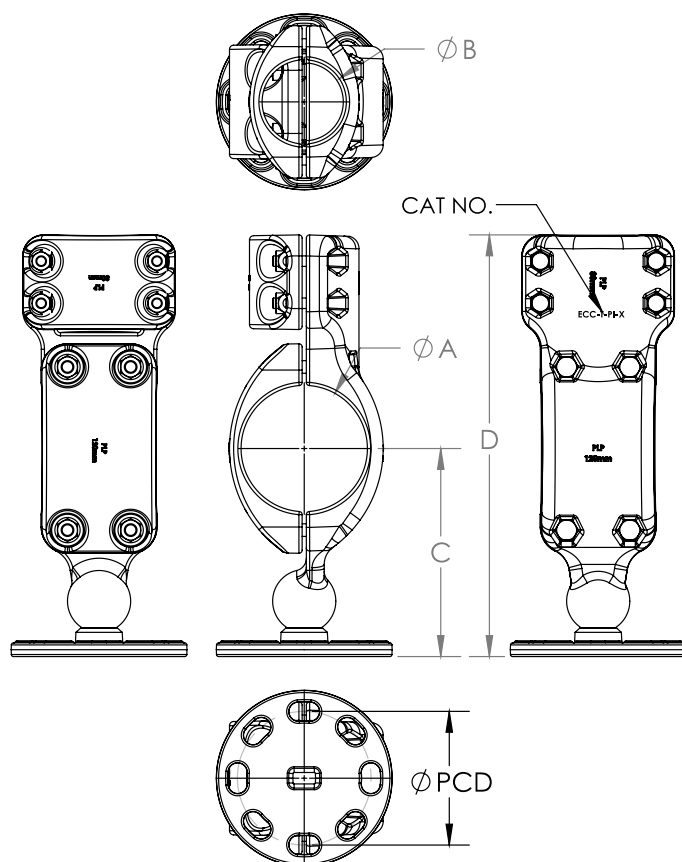


TBFCTS

FEATURES AND BENEFITS

- To connect two busbar (post insulators) fixed tee connection.
- Material: Fasteners for: Tube diam. 80 - 120mm Stainless Gr. A4. Tube Diam. 150-250mm Anodised HT 7075 AL Alloy. Components are cast aluminium.
- Bolt torque values: M10 (St steel) 35Nm, (AL) 21Nm M12 (St steel) 60Nm, (AL) 36 Nm
- Cat No. to be stamped on substation body casting.
- All bolted joint clamp and conductor/busbar surfaces to be cleaned with a stainless steel wire brush and a suitable conductive grease applied before use.
- Supplied in clear, sealed, heavy duty, UV stabilized plastic bag.

TBFCTS SPECIFICATION



Eskom Code	PLP Cat. No.	Diam. (A) (mm)	Diam. (B) (mm)	P.C.D (mm)	(C) (mm)	(D) (mm)	Minimum Rated Current @ 90°C		Weight (kg)
ECC-T-PI-A	TBFCTS-80-80-76	80	80	76	165	340	2000	145	4.0
ECC-T-PI-B	TBFCTS-80-80-127	80	80	127	165	340	2000	145	4.4
ECC-T-PI-E	TBFCTS-120-80-127	120	80	127	203	405	3150	145	6.0
ECC-T-PI-F	TBFCTS-120-80-225	120	80	225	203	405	3150	145	6.5
ECC-T-PI-G	TBFCTS-120-120-127	120	120	127	203	425	3150	145	8.0
ECC-T-PI-H	TBFCTS-120-120-225	120	120	225	203	425	3150	145	10.1
ECC-T-PI-N	TBFCTS-200-200-127	200	200	127	258	570	4000	145	29.4
ECC-T-PI-P	TBFCTS-200-200-225	200	200	225	258	570	4000	800	30.4
ECC-T-PI-Q	TBFCTS-250-250-127	250	250	127	288	682	4000	800	31.0
ECC-T-PI-R	TBFCTS-250-250-225	250	250	225	288	682	4000	800	31.6

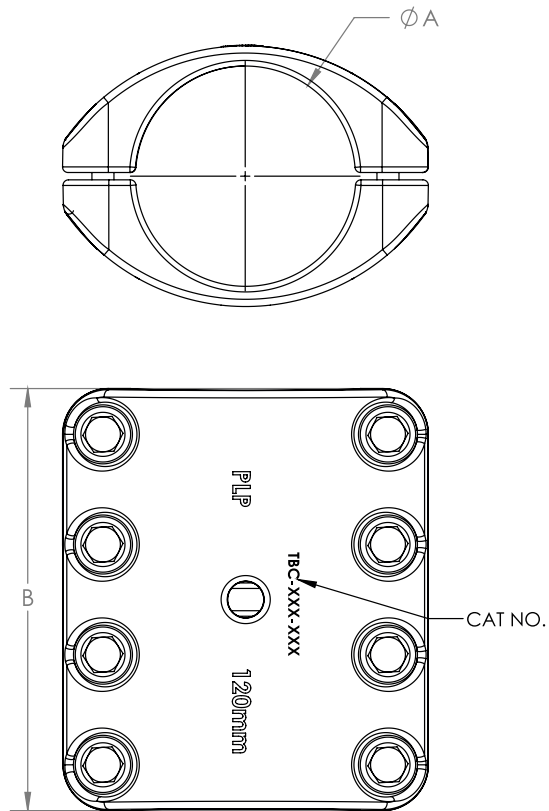


TBC

FEATURES AND BENEFITS

- To connect two busbar fixed connection.
- Material: Fasteners for: Tube diam. 80 - 120mm Stainless Gr. A4. Tube Diam. 150-250mm Anodised HT 7075 AL Alloy. Components are cast aluminium.
- Bolt torque values: M10 (St steel) 35Nm, (AL) 21Nm M12 (St steel) 60Nm, (AL) 36 Nm
- Cat No. to be stamped on substation body casting.
- All bolted joint clamp and conductor/busbar surfaces to be cleaned with a stainless steel wire brush and a suitable conductive grease applied before use.
- Supplied in clear, sealed, heavy duty, UV stabilized plastic bag.

TBC SPECIFICATION



Eskom Code	PLP Cat. No.	Tube Dia. (A) (mm)	(B) (mm)	Minimum Rated Current @90°C	Maximum Voltage [KV rms]	Weight KG
ECC-TT-A	TBC-80-80	80	190	2000	145	3.2
ECC-TT-C	TBC-120-120	120	190	3150	145	5.8
ECC-TT-F	TBC-200-200	200	230	4000	800	15.5
ECC-TT-G	TBC-250-250	250	230	4000	800	31.4

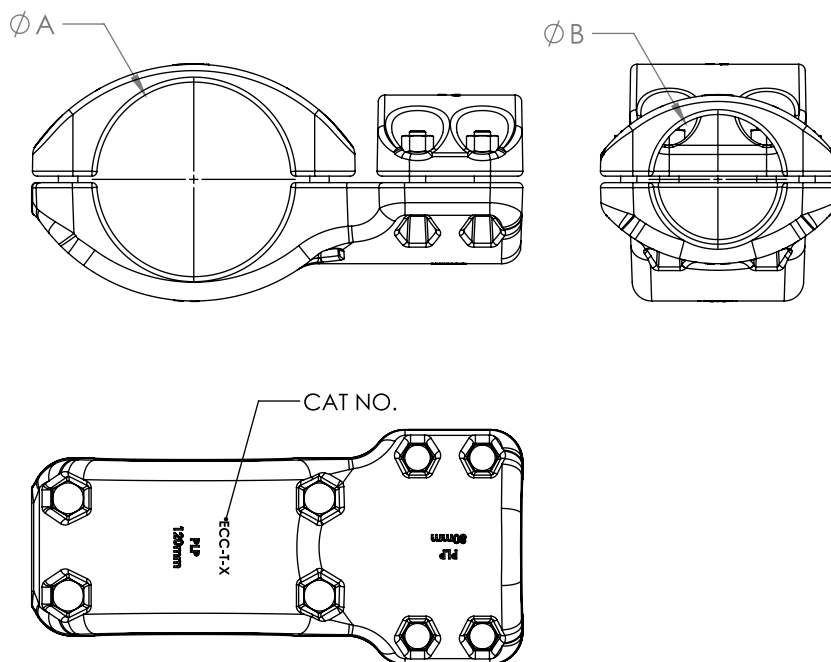


TBT

FEATURES AND BENEFITS

- To connect two busbar fixed tee connection.
- Material: Fasteners for: Tube diam. 80 - 120mm Stainless Gr. A4. Tube Diam. 150-250mm Anodised HT 7075 AL Alloy. Components are cast aluminium.
- Bolt torque values: M10 (St steel) 35Nm, (AL) 21Nm M12 (St steel) 60Nm, (AL) 36 Nm
- Cat No. to be stamped on substation body casting.
- All bolted joint clamp and conductor/busbar surfaces to be cleaned with a stainless steel wire brush and a suitable conductive grease applied before use.
- Supplied in clear, sealed, heavy duty, UV stabilized plastic bag.

TBT SPECIFICATION



Eskom Code	PLP Cat No.	Tube Diam. (A) mm	Tube Diam. (B) mm	Minimum Rated Current @90°C	Maximum Voltage kV rms	Weight (kg)
ECC-T-A	TBT-80-80	80	26.5	2000	145	3.4
ECC-T-C	TBT-120-80	120	38.3	3150	145	4.9
ECC-T-D	TBT-120-120	120	26.5	3150	145	6.9
ECC-T-G	TBT-200-120	200	38.3	4000	800	18.9
ECC-T-H	TBT-200-250	200	26.5	4000	800	26.5
ECC-T-J	TBT-250-250	250	26.5	4000	800	27.8
ECC-T-K	TBT-200-200	200	38.3	4000	800	25.0

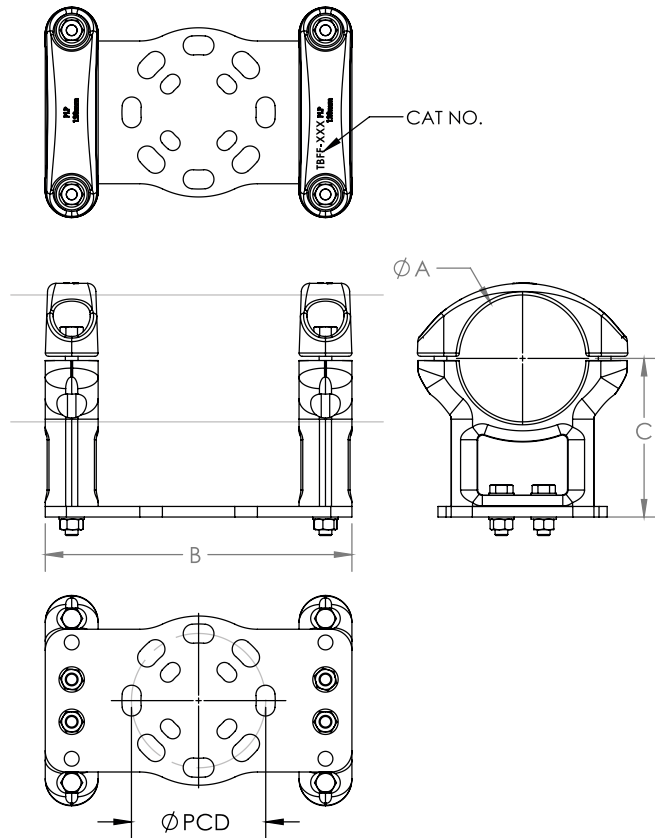


TBFF

FEATURES AND BENEFITS

- To connect two busbar (post insulator) fixed tee connection.
- Material: Fasteners for: Tube diam. 80 - 120mm Stainless Gr. A4. Tube Diam. 150-250mm Anodised HT 7075 AL Alloy. Components are cast aluminium.
- Bolt torque values: M10 (St steel) 35Nm, (AL) 21Nm M12 (St steel) 60Nm, (AL) 36 Nm
- Cat No. to be stamped on substation body casting.
- All bolted joint clamp and conductor/busbar surfaces to be cleaned with a stainless steel wire brush and a suitable conductive grease applied before use.
- Supplied in clear, sealed, heavy duty, UV stabilized plastic bag.

TBFF SPECIFICATION



Eskom Code	PLP Cat. No.	Tube Dia. (A) (mm)	P.C.D.	(B)	(C)	Maximum Rated Current @90°C	Maximum Voltage kV rms	Weight kg
ESC-PI-TF-A/B	TBFF-80	80	76/127	290	120	2000	145	4.1
ESC-PI-TF-E/F	TBFF-120	120	76/127	290	150	3150	145	4.4
ESC-PI-TF-L/M	TBFF-200	200	76/127	350	200	4000	800	15.9
ESC-PI-TF-N/P	TBFF-250	250	76/127	350	220	4000	800	18.3

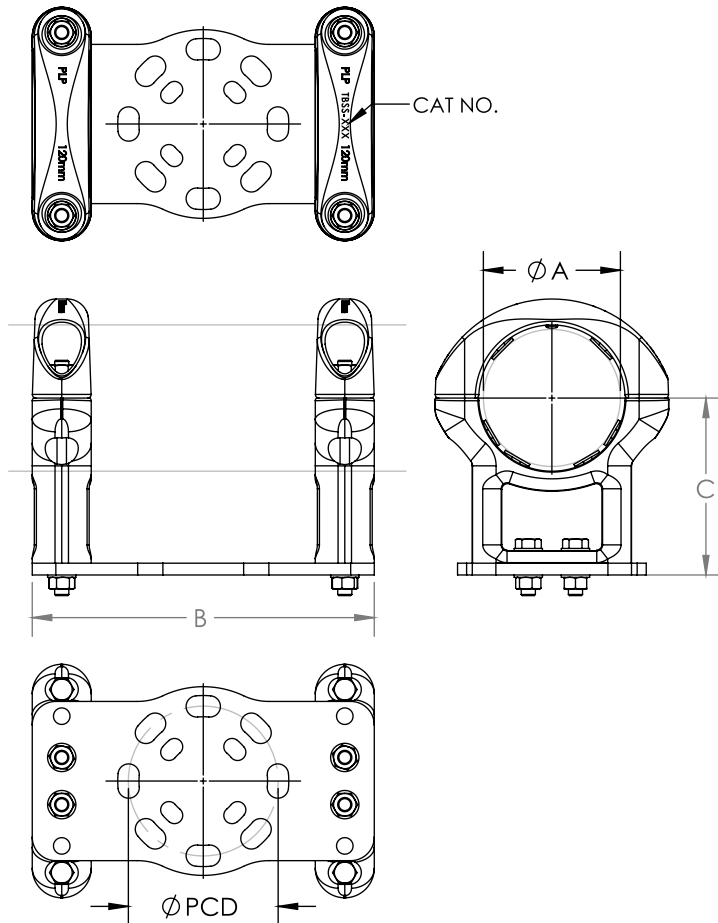


TBSS

FEATURES AND BENEFITS

- To connect two busbar (post insulator) fixed tee connection.
- Material: Fasteners for: Tube diam. 80 - 120mm Stainless Gr. A4. Tube Diam. 150-250mm Anodised HT 7075 AL Alloy. Components are cast aluminium.
- Bolt torque values: M10 (St steel) 35Nm, (AL) 21Nm M12 (St steel) 60Nm, (AL) 36 Nm
- Cat No. to be stamped on substation body casting.
- All bolted joint clamp and conductor/busbar surfaces to be cleaned with a stainless steel wire brush and a suitable conductive grease applied before use.
- Supplied in clear, sealed, heavy duty, UV stabilized plastic bag.

TBSS SPECIFICATION



Eskom Code	PLP Cat. No.	Tube Dia. (A) (mm)	P.C.D.	(B)	(C)	Maximum Rated Current @90°C	Maximum Voltage kV rms	Weight kg
ESC-PI-TF-A/B	TBFF-80	80	76/127	290	120	2000	145	4.1
ESC-PI-TF-E/F	TBFF-120	120	76/127	290	150	3150	145	4.4

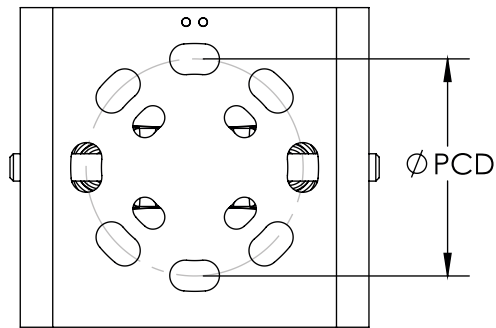
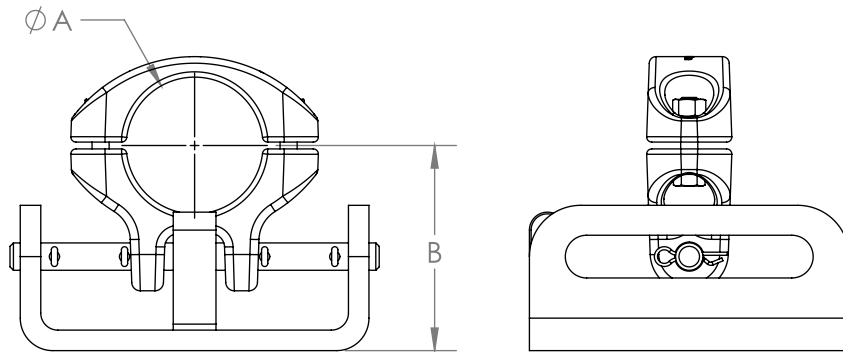


TBFSS

FEATURES AND BENEFITS

- To connect two busbar (post insulator) fixed tee connection.
- Material: Fasteners for: Tube diam. 80 - 120mm Stainless Gr. A4. Tube Diam. 150-250mm Anodised HT 7075 AL Alloy. Components are cast aluminium.
- Bolt torque values: M10 (St steel) 35Nm, (AL) 21Nm M12 (St steel) 60Nm, (AL) 36 Nm
- Cat No. to be stamped on substation body casting.
- All bolted joint clamp and conductor/busbar surfaces to be cleaned with a stainless steel wire brush and a suitable conductive grease applied before use.
- Supplied in clear, sealed, heavy duty, UV stabilized plastic bag.
- Supplied with a static discharge strap.

TBFSS SPECIFICATION



Eskom Code	PLP Cat. No.	Tube Dia. (A) (mm)	P.C.D.	(B)	Maximum Rated Current @90°C	Maximum Voltage kV rms	Weight kg
ESC-PI-S-A/B	TBFSS-80	80	76/127	120	2000	145	5.8
ESC-PI-S-E/F	TBFSS-120	120	76/127	150	3150	145	11.4

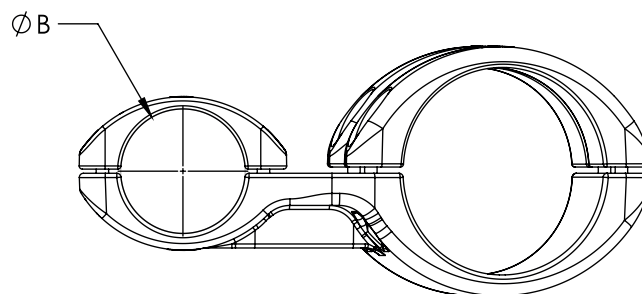
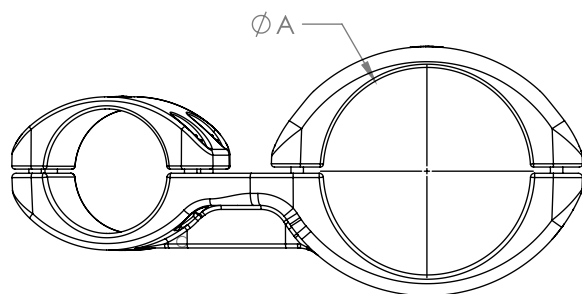
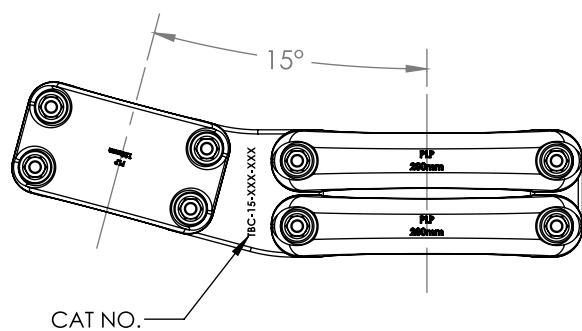


TBS-15

FEATURES AND BENEFITS

- To connect two busbar as a 15 degrees offset (from run) connection.
- Material: Fasteners for: Tube diam. 80 - 120mm Stainless Gr. A4. Tube Diam. 150-250mm Anodised HT 7075 AL Alloy. Components are cast aluminium.
- Bolt torque values: M10 (St steel) 35Nm, (AL) 21Nm M12 (St steel) 60Nm, (AL) 36 Nm
- Cat No. to be stamped on substation body casting.
- All bolted joint clamp and conductor/busbar surfaces to be cleaned with a stainless steel wire brush and a suitable conductive grease applied before use.
- Supplied in clear, sealed, heavy duty, UV stabilized plastic bag.

TBS-15 SPECIFICATION



Eskom Code	PLP Cat. No.	Tube Dia. (A) (mm)	Tube Dia. (B) (mm)	Maximum Rated Current @90°C	Maximum Voltage kV rms	Weight kg
ESC-V-TT 15-A	TBC-15-200-120	80	120	3150	800	10.5.
ESC-V-TT 15-B	TBC-15-250-120	250	120	3150	800	18..6

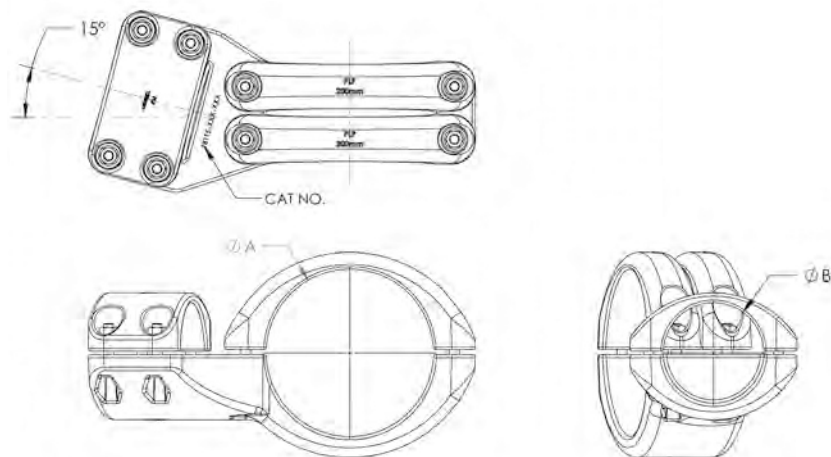


TBT-15

FEATURES AND BENEFITS

- To connect two busbar as a 15 degrees offset (from run) connection.
- Material: Fasteners for: Tube diam. 80 - 120mm Stainless Gr. A4. Tube Diam. 150-250mm Anodised HT 7075 AL Alloy. Components are cast aluminium.
- Bolt torque values: M10 (St steel) 35Nm, (AL) 21Nm M12 (St steel) 60Nm, (AL) 36 Nm
- Cat No. to be stamped on substation body casting.
- All bolted joint clamp and conductor/busbar surfaces to be cleaned with a stainless steel wire brush and a suitable conductive grease applied before use.
- Supplied in clear, sealed, heavy duty, UV stabilized plastic bag.

TBT-15 SPECIFICATION



Eskom Code	PLP Cat. No.	Tube Dia. (A) (mm)	Tube Dia. (B) (mm)	Maximum Rated Current @90°C	Maximum Voltage kV rms	Weight kg
ESC-H-TT-15-A	TBT-15-200-120	200	120	3150	800	11.7
ESC-H-TT-15-B	TBT-15-250-120	250	120	2500	800	18..3

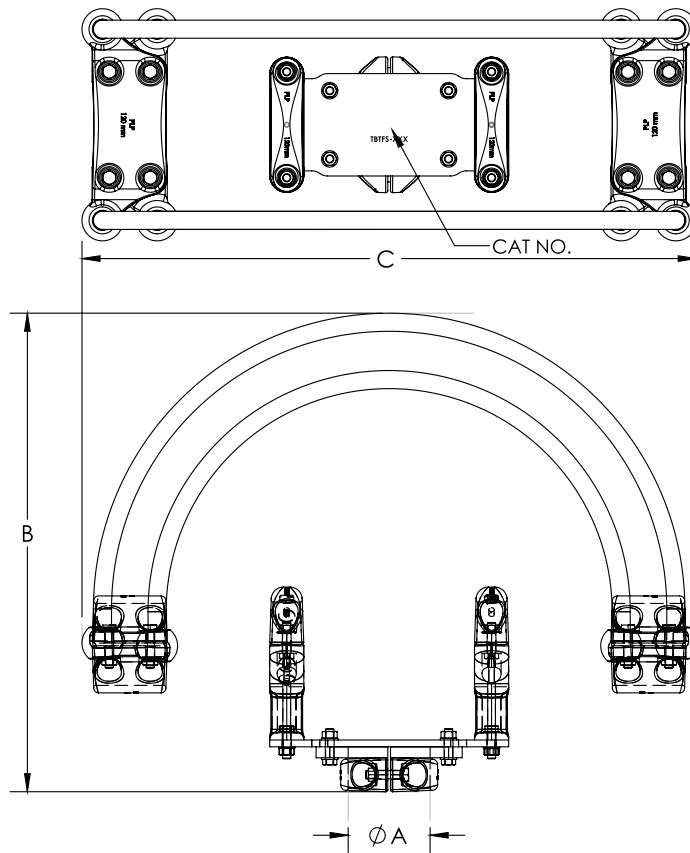


TBTFS

FEATURES AND BENEFITS

- To connect two busbar as a 15 degrees offset (from run) connection.
- Material: Fasteners for: Tube diam. 80 - 120mm Stainless Gr. A4. Tube Diam. 150-250mm Anodised HT 7075 AL Alloy. Components are cast aluminium.
- Bolt torque values: M10 (St steel) 35Nm, (AL) 21Nm M12 (St steel) 60Nm, (AL) 36 Nm
- Cat No. to be stamped on substation body casting.
- All bolted joint clamp and conductor/busbar surfaces to be cleaned with a stainless steel wire brush and a suitable conductive grease applied before use.
- Supplied in clear, sealed, heavy duty, UV stabilized plastic bag.

TBTFS SPECIFICATION



Eskom Code	PLP Cat. No.	Tube Dia. (A) (mm)	(B) (mm)	(C) (mm)	Maximum Rated Current @90°C	Maximum Voltage kV rms	Weight kg
EEC-TB-FS-A	TBTFS-80	80	700	900	2000	145	18.4
EEC-TB-FS-C	TBTFS-120	120	700	900	3150	145	21.7
EEC-TB-FS-F	TBTFS-200	200	800	1000	4000	800	55.5
EEC-TB-FS-G	TBTFS-250	250	850	1050	4000	800	66.8

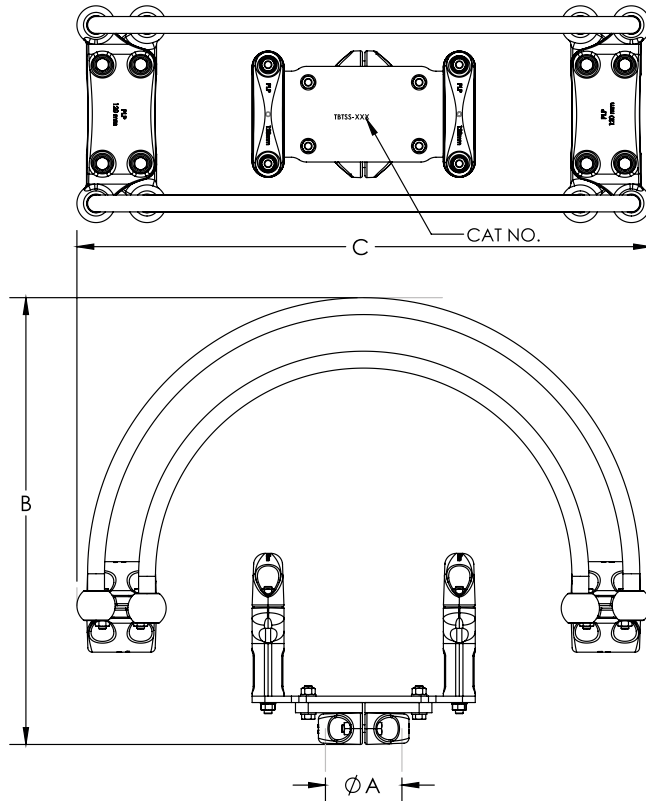


TBTSS

FEATURES AND BENEFITS

- To connect two busbar (tube mounted) fixed connection.
- Material: Fasteners for: Tube diam. 80 - 120mm Stainless Gr. A4. Tube Diam. 150-250mm Anodised HT 7075 AL Alloy. Components are cast aluminium.
- Bolt torque values: M10 (St steel) 35Nm, (AL) 21Nm M12 (St steel) 60Nm, (AL) 36 Nm, (HDG) 45Nm M20 (HDG) 90Nm, M24 (HDG) 130Nm
- Cat No. to be stamped on substation body casting.
- All bolted joint clamp and conductor/busbar surfaces to be cleaned with a stainless steel wire brush and a suitable conductive grease applied before use.
- Supplied in clear, sealed, heavy duty, UV stabilized plastic bag.

TBTSS SPECIFICATION



Eskom Code	PLP Cat. No.	Tube Dia. (A) (mm)	(B) (mm)	(C) (mm)	Maximum Rated Current @90°C	Maximum Voltage kV rms	Weight kg
EEC-TB-SS-A	TBTSS-80	80	700	900	2000	145	18.4
EEC-TB-SS-C	TBTSS-120	120	700	900	3150	145	21.7
EEC-TB-SS-F	TBTSS-200	200	800	1000	4000	800	55.5
EEC-TB-SS-G	TBTSS-250	250	850	1050	4000	800	66.8

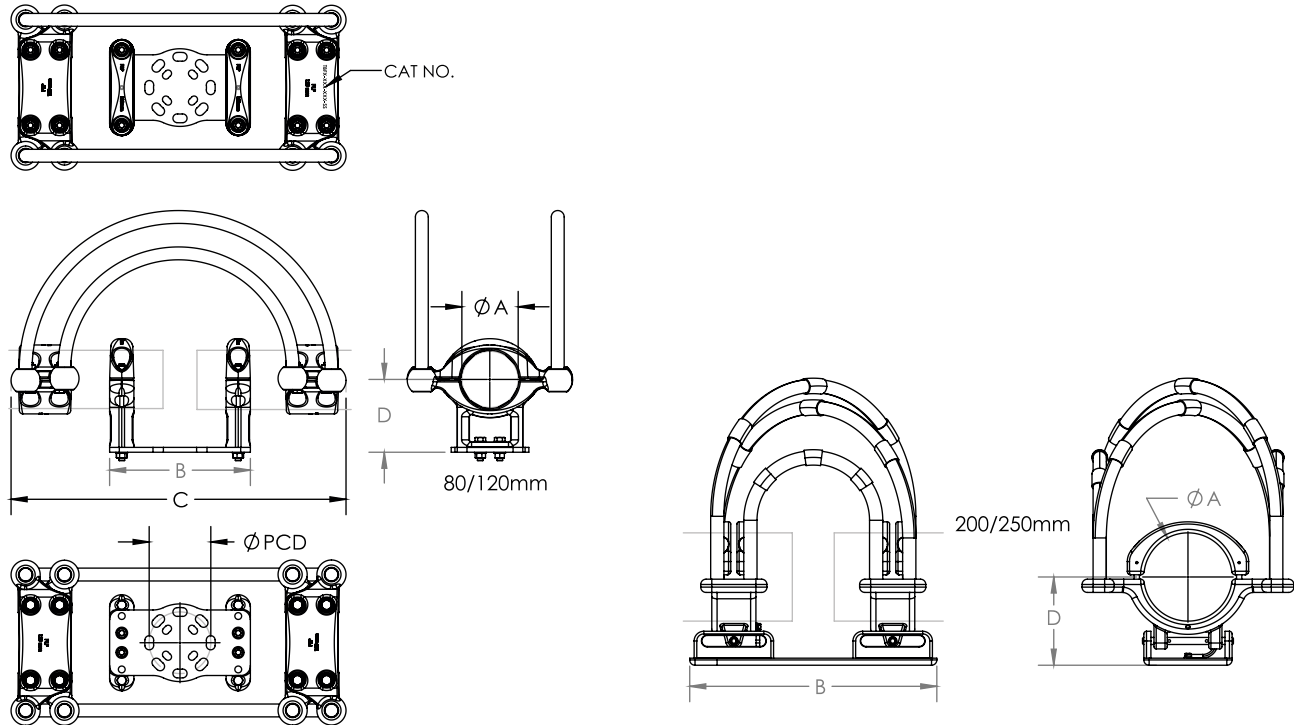


TBFX-SS

FEATURES AND BENEFITS

- To connect two busbar (tube mounted) fixed connection.
- Material: Fasteners for: Tube diam. 80 - 120mm Stainless Gr. A4. Tube Diam. 150-250mm Anodised HT 7075 AL Alloy. Components are cast aluminium.
- Bolt torque values: M10 (St steel) 35Nm, (AL) 21Nm M12 (St steel) 60Nm, (AL) 36 Nm, (HDG) 45Nm M20 (HDG) 90Nm, M24 (HDG) 130Nm
- Cat No. to be stamped on substation body casting.
- All bolted joint clamp and conductor/busbar surfaces to be cleaned with a stainless steel wire brush and a suitable conductive grease applied before use.
- Supplied in clear, sealed, heavy duty, UV stabilized plastic bag.

TBFX-SS SPECIFICATION



Eskom Code	PLP Cat. No.	Tube Dia. (A) (mm)	PCD (mm)	(B) (mm)	(C) (mm)	(D) (mm)	Maximum Rated Current @90°C	Maximum Voltage kV rms	Weight kg
EEC-PI-SS-A/B	TBFX-80-SS	80	76/127	290	600	130	2000	145	14.3
EEC-PI-SS-E/F	TBFX-120-SS	120	76/127	290	690	150	2500	145	17.8
EEC-PI-SS-NP/Q	TBFX-200-SS	200	76/127/225	580	580	250	4000	800	50.0
EEC-PI-SS-R	TBFX-250-SS	250	76/127/225	580	580	280	4000	800	61.1

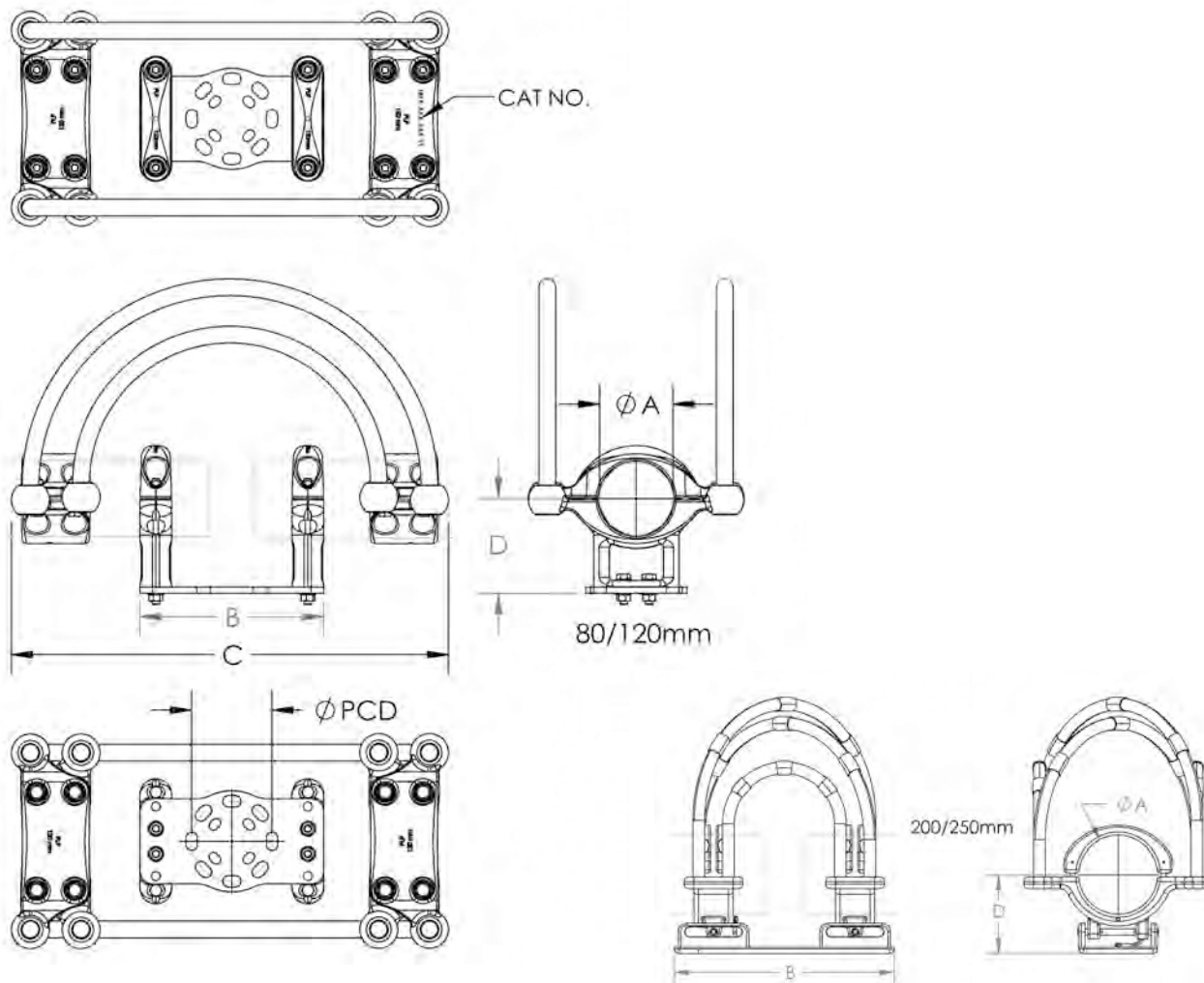


TBFX-FS

FEATURES AND BENEFITS

- To connect two busbar (tube mounted) fixed connection.
- Material: Fasteners for: Tube diam. 80 - 120mm Stainless Gr. A4. Tube Diam. 150-250mm Anodised HT 7075 AL Alloy. Components are cast aluminium.
- Bolt torque values: M10 (St steel) 35Nm, (AL) 21Nm M12 (St steel) 60Nm, (AL) 36 Nm, (HDG) 45Nm M20 (HDG) 90Nm, M24 (HDG) 130Nm
- Cat No. to be stamped on substation body casting.
- All bolted joint clamp and conductor/busbar surfaces to be cleaned with a stainless steel wire brush and a suitable conductive grease applied before use.
- Supplied in clear, sealed, heavy duty, UV stabilized plastic bag.

TBFX-FS SPECIFICATION



Eskom Code	PLP Cat. No.	Tube Dia. (A) (mm)	PCD (mm)	(B) (mm)	(C) (mm)	(D) (mm)	Maximum Rated Current @90°C	Maximum Voltage kV rms	Weight kg
EEC-PI-SS-A/B	TBFX-80-FS	80	76/127	290	600	130	2000	145	14.3
EEC-PI-SS-E/F	TBFX-120-FS	120	76/127	290	690	150	2500	145	17.8
EEC-PI-SS-NP/Q	TBFX-200-FS	200	76/127/225	580	580	250	4000	800	50.0
EEC-PI-SS-R	TBFX-250-FS	250	76/127/225	580	580	280	4000	800	61.1

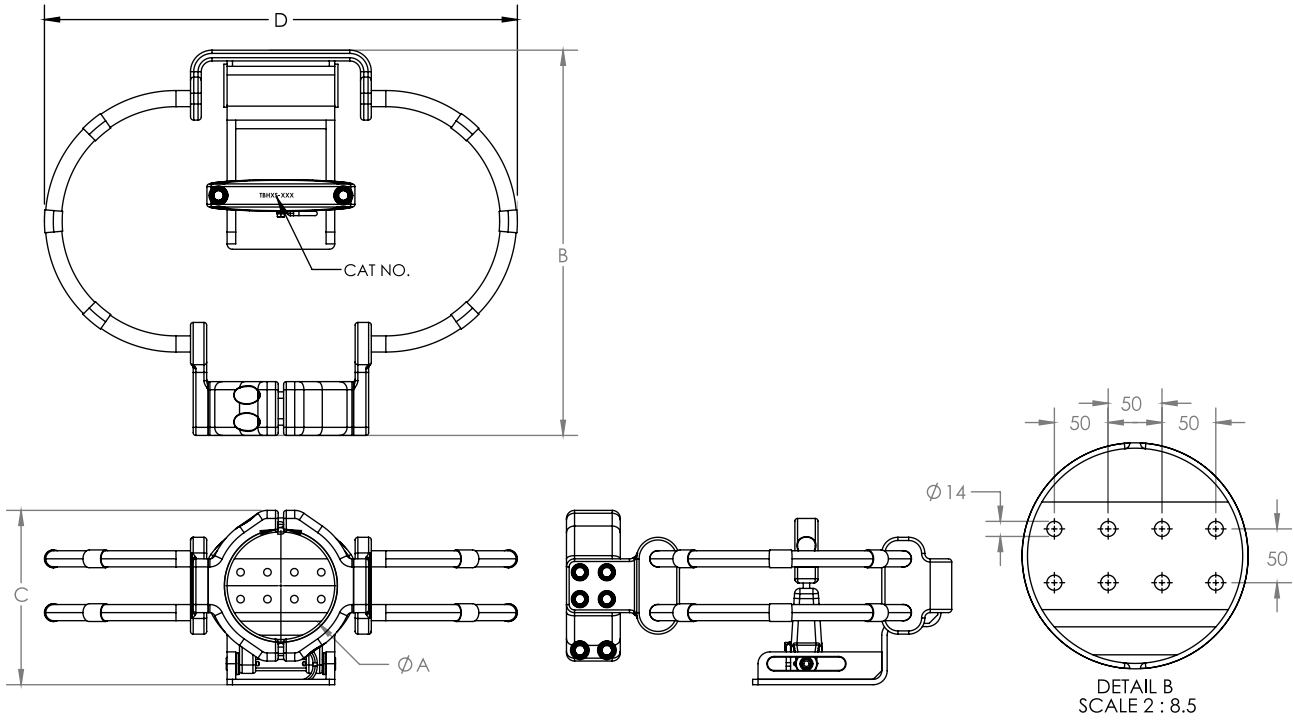


TBHXS-8H-IL

FEATURES AND BENEFITS

- To connect two busbar to an 8-hole terminal (expansion connection)
- Material: Fasteners for: Tube diam. 80 - 120mm Stainless Gr. A4. Tube Diam. 150-250mm Anodised HT 7075 AL Alloy. Components are cast aluminium.
- Bolt torque values: M10 (St steel) 35Nm, (AL) 21Nm M12 (St steel) 60Nm, (AL) 36 Nm, (HDG) 45Nm M20 (HDG) 90Nm, M24 (HDG) 130Nm
- Cat No. to be stamped on substation body casting.
- All bolted joint clamp and conductor/busbar surfaces to be cleaned with a stainless steel wire brush and a suitable conductive grease applied before use.
- Supplied in clear, sealed, heavy duty, UV stabilized plastic bag.
- Supplied with a static discharge strap.

TBHXS-8H-IL SPECIFICATION



Eskom Code	PLP Cat. No.	Tube Dia. (A) (mm)	(B) (mm)	(C) (mm)	(D) (mm)	Maximum Rated Current @90°C	Maximum Voltage kV rms	Weight kg
EEC-IL-8HV-S-A	TBHXS-200-8H-IL	200	720	325	880	4000	800	38.2
EEC-IL-8HV-S-B	TBHXS-250-8H-IL	250	735	380	930	4000	800	42.3

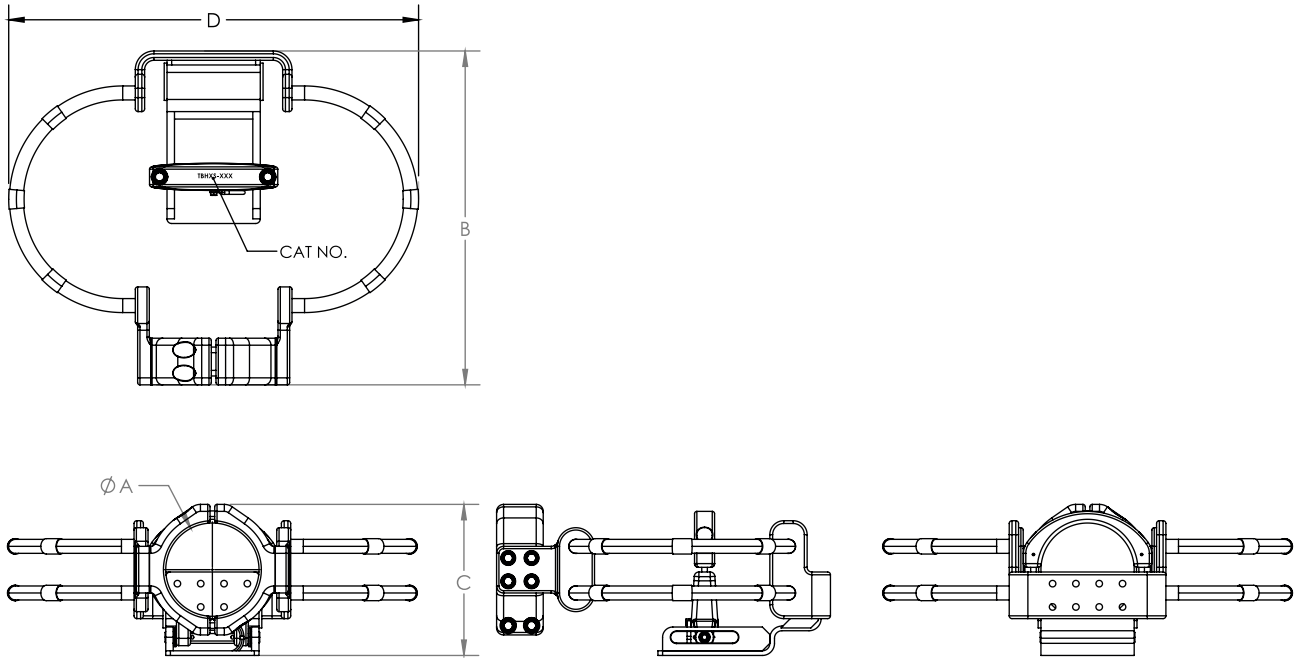


TBHXS-8H-0

FEATURES AND BENEFITS

- To connect two busbar to an 8-hole terminal (expansion connection)
- Material: Fasteners for: Tube diam. 80 - 120mm Stainless Gr. A4. Tube Diam. 150-250mm Anodised HT 7075 AL Alloy. Components are cast aluminium.
- Bolt torque values: M10 (St steel) 35Nm, (AL) 21Nm M12 (St steel) 60Nm, (AL) 36 Nm, (HDG) 45Nm M20 (HDG) 90Nm, M24 (HDG) 130Nm
- Cat No. to be stamped on substation body casting.
- All bolted joint clamp and conductor/busbar surfaces to be cleaned with a stainless steel wire brush and a suitable conductive grease applied before use.
- Supplied in clear, sealed, heavy duty, UV stabilized plastic bag.
- Supplied with a static discharge strap.

TBHXS-8H-0 SPECIFICATION



Eskom Code	PLP Cat. No.	Tube Dia. (A) (mm)	(B) (mm)	(C) (mm)	(D) (mm)	Maximum Rated Current @90°C	Maximum Voltage kV rms	Weight kg
EEC-8HV-S-C	TBHXS-200-8H-0	200	720	325	880	4000	800	38.2
EEC-8HV-S-D	TBHXS-250-8H-0	250	735	380	930	4000	800	42.3

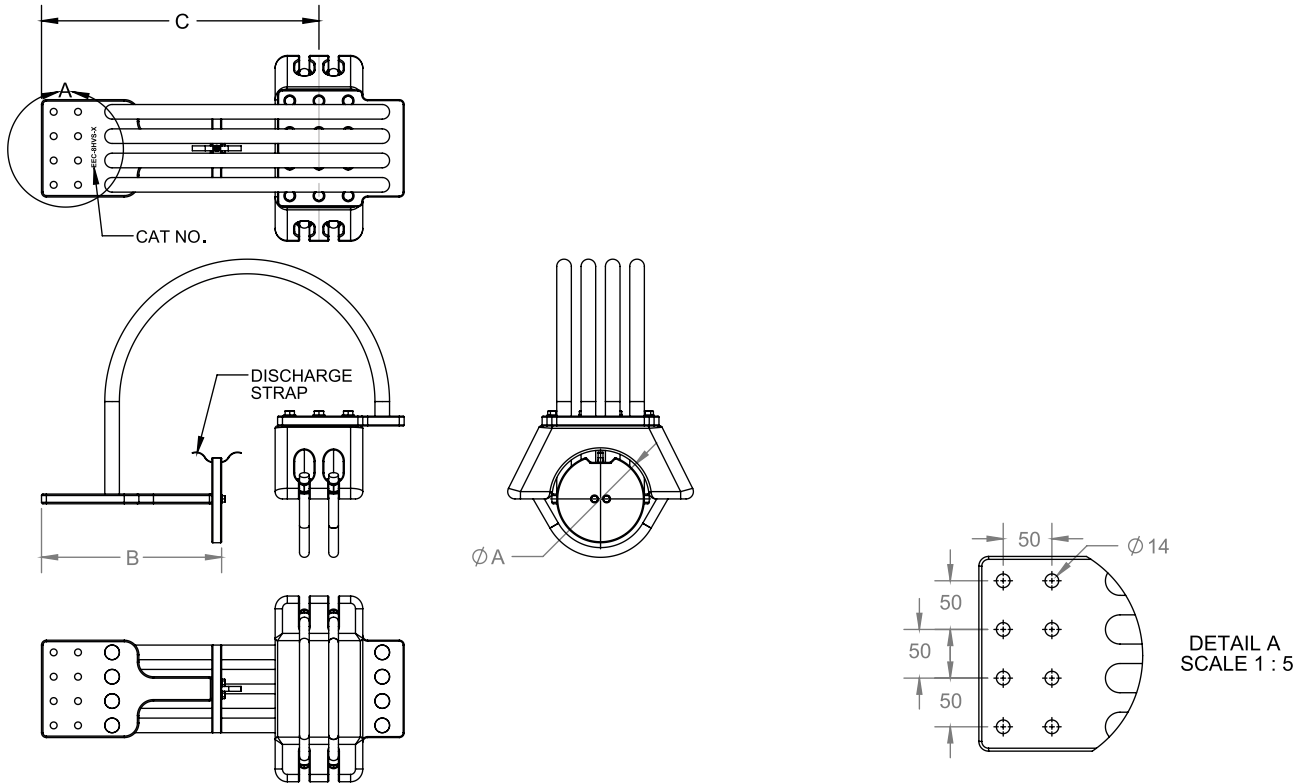


TBHXS-8H-H

FEATURES AND BENEFITS

- To connect two busbar to an 8-hole terminal (expansion connection)
- Material: Fasteners for: Tube diam. 80 - 120mm Stainless Gr. A4. Tube Diam. 150-250mm Anodised HT 7075 AL Alloy. Components are cast aluminium.
- Bolt torque values: M10 (St steel) 35Nm, (AL) 21Nm M12 (St steel) 60Nm, (AL) 36 Nm,
- Cat No. to be stamped on substation body casting.
- All bolted joint clamp and conductor/busbar surfaces to be cleaned with a stainless steel wire brush and a suitable conductive grease applied before use.
- Supplied in clear, sealed, heavy duty, UV stabilized plastic bag.
- Supplied with a static discharge strap.
- Fitting supplied with a stainless steel discharge spring.

TBHXS-8H-H SPECIFICATION



Eskom Code	PLP Cat. No.	Tube Dia. (A) (mm)	(B) (mm)	(C) (mm)	Maximum Rated Current @90°C	Maximum Voltage kV rms	Weight kg
EEC-8HH-S-C	TBHXS-200-8H-H	200	370	600	4000	800	20.7
EEC-8HH-S-D	TBHXS-250-8H-H	250	370	615	4000	800	30.1

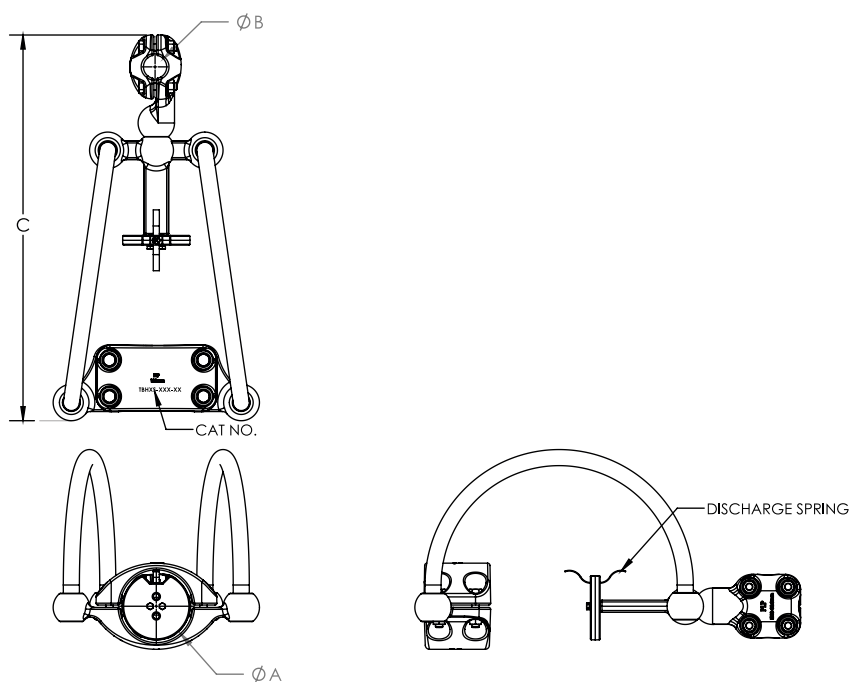


TBHXS

FEATURES AND BENEFITS

- To connect a busbar to a solid stem terminal (expansion connection)
- Material: Fasteners for: Tube diam. 80 - 120mm Stainless Gr. A4. Tube Diam. 150-250mm Anodised HT 7075 AL Alloy. Components are cast aluminium.
- Bolt torque values: M10 (St steel) 35Nm, (AL) 21Nm M12 (St steel) 60Nm, (AL) 36 Nm,
- Cat No. to be stamped on substation body casting.
- All bolted joint clamp and conductor/busbar surfaces to be cleaned with a stainless steel wire brush and a suitable conductive grease applied before use.
- Supplied in clear, sealed, heavy duty, UV stabilized plastic bag.
- Supplied with a static discharge strap.
- Fitting supplied with a stainless steel discharge spring.

TBHXS SPECIFICATION



Eskom Code	PLP Cat. No.	Tube Dia. (A) (mm)	Stem Dia. (B) (mm)	(C) (mm)	Maximum Rated Current @90°C	Maximum Voltage kV rms	Weight kg
EEC-H/VS-TB-A	TBHXS-80-26	80	26	625	900	145	6.9
EEC-H/VS-TB-B	TBHXS-80-38	80	38	625	1350	145	6.8
EEC-H/VS-TB-C	TBHXS-80-60	80	60	645	2000	145	8.2
EEC-H/VS-TB-G	TBHXS-120-26	120	26	645	900	145	8.9
EEC-H/VS-TB-H	TBHXS-120-38	120	38	645	1350	145	8.8
EEC-H/VS-TB-J	TBHXS-120-60	120	60	645	2000	145	9.6

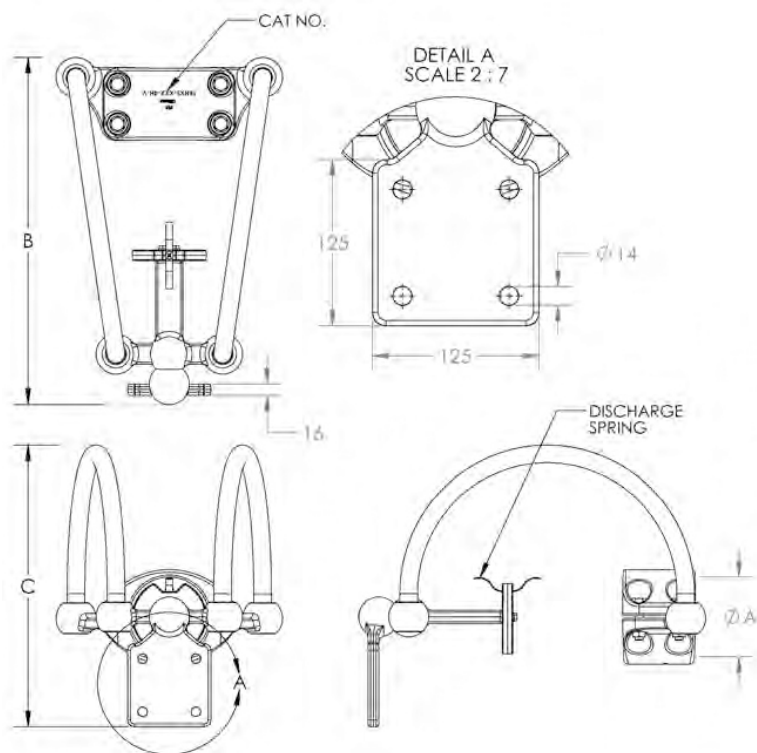


TBHXS-4H-V

FEATURES AND BENEFITS

- To connect a busbar to 4-hole terminal (expansion connection)
- Material: Fasteners for: Tube diam. 80 - 120mm Stainless Gr. A4. Tube Diam. 150-250mm Anodised HT 7075 AL Alloy. Components are cast aluminium.
- Bolt torque values: M10 (St steel) 35Nm, (AL) 21Nm M12 (St steel) 60Nm, (AL) 36 Nm,
- Cat No. to be stamped on substation body casting.
- All bolted joint clamp and conductor/busbar surfaces to be cleaned with a stainless steel wire brush and a suitable conductive grease applied before use.
- Supplied in clear, sealed, heavy duty, UV stabilized plastic bag.
- Supplied with a static discharge strap.
- Fitting supplied with a stainless steel discharge spring.

TBHXS-4H-V SPECIFICATION



Eskom Code	PLP Cat. No.	Tube Dia. (A) (mm)	(B) (mm)	(C) (mm)	Maximum Rated Current @90°C	Maximum Voltage kV rms	Weight kg
EEC-4HV-A	TBHXS-80-4H-V	80	490	395	2000	145	6.5
EEC-4HV-C	TBHXS-120-4H-V	120	520	425	3150	145	7.7

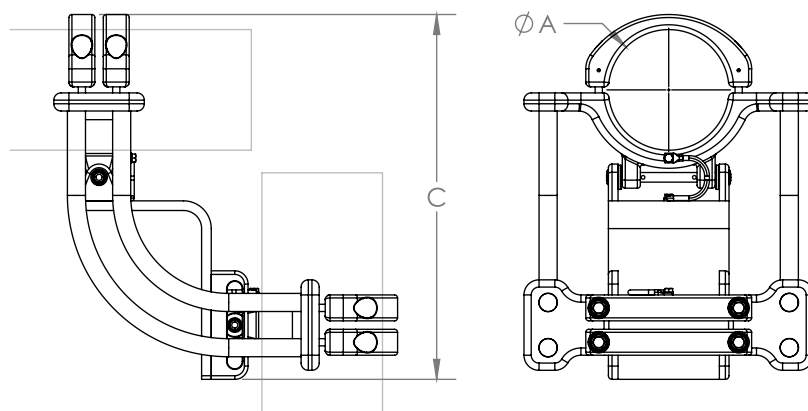
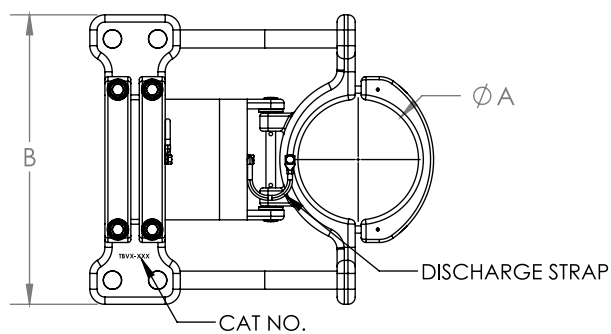


TBVHX

FEATURES AND BENEFITS

- To connect two busbar (sliding tee connection)
- Material: Fasteners for: Tube diam. 80 - 120mm Stainless Gr. A4. Tube Diam. 150-250mm Anodised HT 7075 AL Alloy. Components are cast aluminium.
- Bolt torque values: M10 (St steel) 35Nm, (AL) 21Nm M12 (St steel) 60Nm, (AL) 36 Nm,
- Cat No. to be stamped on substation body casting.
- All bolted joint clamp and conductor/busbar surfaces to be cleaned with a stainless steel wire brush and a suitable conductive grease applied before use.
- Supplied in clear, sealed, heavy duty, UV stabilized plastic bag.
- Supplied with a static discharge strap.

TBVHX SPECIFICATION



Eskom Code	PLP Cat. No.	Tube Dia. (A) (mm)	(B) (mm)	(C) (mm)	Maximum Rated Current @90°C	Maximum Voltage kV rms	Weight kg
EEC-T-S-A	TBVHX-200	200	480	605	4000	800	36.2
EEC-T-S-B	TBVHX-250	250	530	630	4000	800	45.2

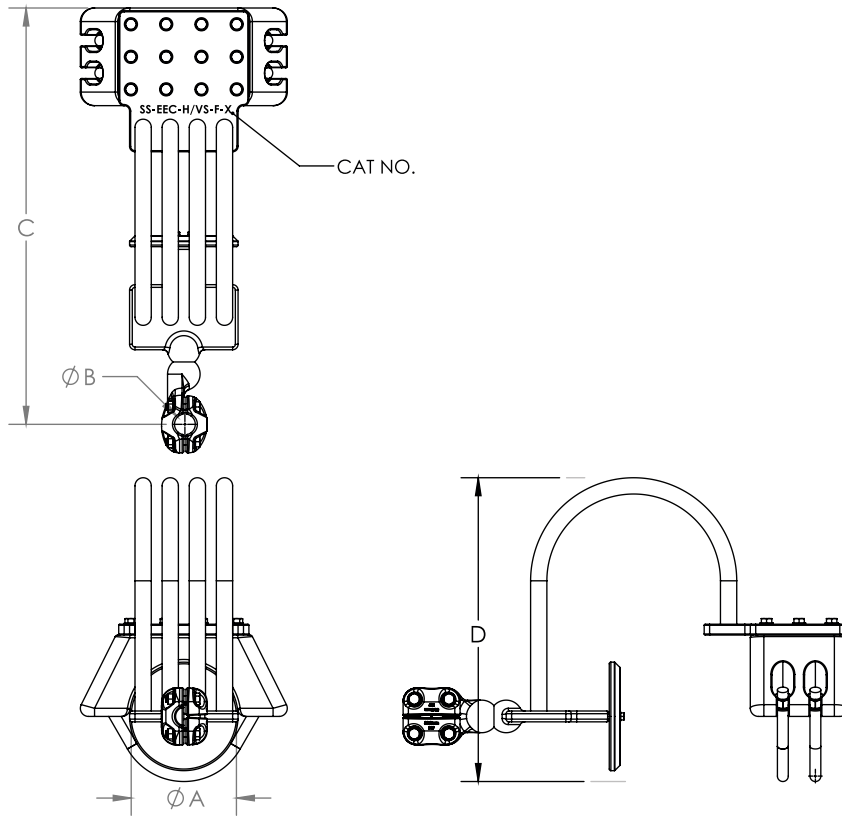


TBHXS

FEATURES AND BENEFITS

- To connect a busbar to solid stem (expansion connection)
- Material: Fasteners for: Tube diam. 80 - 120mm Stainless Gr. A4. Tube Diam. 150-250mm Anodised HT 7075 AL Alloy. Components are cast aluminium.
- Bolt torque values: M10 (St steel) 35Nm, (AL) 21Nm M12 (St steel) 60Nm, M20 (HDG) 90Nm, M24 (HDG) 130Nm
- Cat No. to be stamped on substation body casting.
- All bolted joint clamp and conductor/busbar surfaces to be cleaned with a stainless steel wire brush and a suitable conductive grease applied before use.
- Supplied in clear, sealed, heavy duty, UV stabilized plastic bag.
- Supplied with a static discharge strap.

TBHX5 SPECIFICATION



Eskom Code	PLP Cat. No.	Tube Dia. (A) (mm)	Stem Dia. (B) (mm)	(C) (mm)	(D) (mm)	Maximum Rated Current @90°C	Maximum Voltage kV rms	Weight kg
EEC-H/VS-F-E	TBHX5-200-38	200	38	820	520	2500	800	27.6
EEC-H/VS-F-F	TBHX5-200-60	200	60	880	520	3150	800	28.9
EEC-H/VS-F-G	TBHX5-250-38	250	38	870	550	2500	800	28.9
EEC-H/VS-F-H	TBHX5-250-60	250	60	930	550	3150	800	30.1

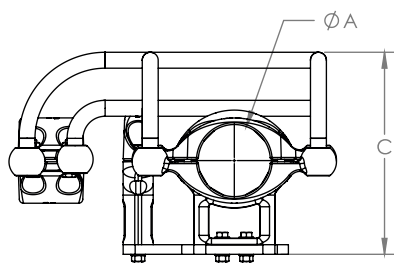
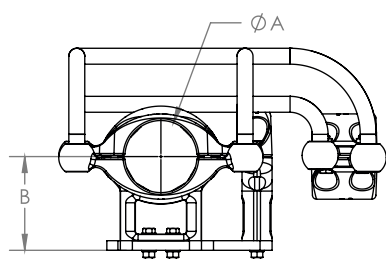
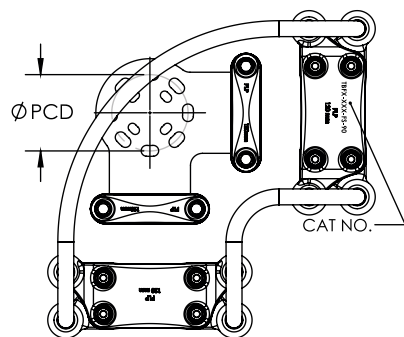


TBFX-SS-90

FEATURES AND BENEFITS

- To connect two busbar (post insulator/fixed connection)
- Material: Fasteners for: Tube diam. 80 - 120mm Stainless Gr. A4. Tube Diam. 150-250mm Anodised HT 7075 AL Alloy. Components are cast aluminium.
- Bolt torque values: M10 (St steel) 35Nm, (AL) 21Nm M12 (St steel) 60Nm, M20 (HDG) 90Nm, M24 (HDG) 130Nm
- Cat No. to be stamped on substation body casting.
- All bolted joint clamp and conductor/busbar surfaces to be cleaned with a stainless steel wire brush and a suitable conductive grease applied before use.
- Supplied in clear, sealed, heavy duty, UV stabilized plastic bag.
- Supplied with a static discharge string in keeper.

TBFX-SS-90 SPECIFICATION



Eskom Code	PLP Cat. No.	Tube Dia. (A) (mm)	PCD (mm)	(B) (mm)	(C) (mm)	Maximum Rated Current @90°C	Maximum Voltage kV rms	Weight kg
EEC-PI-SS 90-A/B	TBFX-80-SS-90	80	76/127	130	325	2000	145	17.3
EEC-PI-SS 90-E/F	TBFX-120-SS-90	120	76/127	150	335	3150	145	20.8
EEC-PI-SS 90-N/P/Q	TBFX-200-SS-90	200	76/127/225	200	375	4000	800	53.2
EEC-PI-SS 90-R	TBFX-250-SS-90	250	76/127/225	230	395	4000	800	65.3

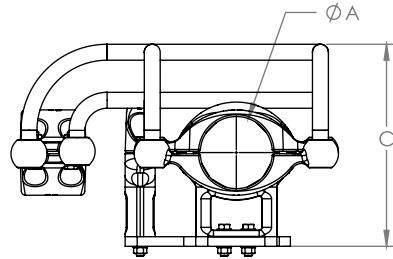
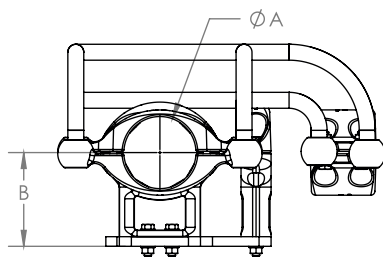
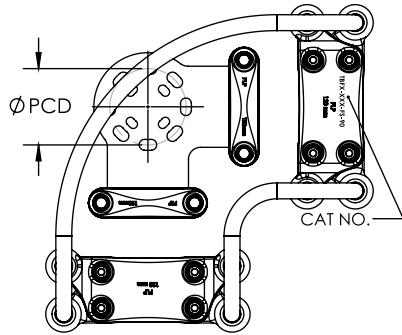


TBFX-FS-90

FEATURES AND BENEFITS

- To connect two busbar (post insulator) sliding/fixed connection (90 degrees).
- Material: Fasteners for: Tube diam. 80 - 120mm Stainless Gr. A4. Tube Diam. 150-250mm Anodised HT 7075 AL Alloy. Components are cast aluminium.
- Bolt torque values: M10 (St steel) 35Nm, (AL.) 21Nm M12 (St steel) 60Nm, (AL.) 36Nm
- Cat No. to be stamped on substation body casting.
- All bolted joint clamp and conductor/busbar surfaces to be cleaned with a stainless steel wire brush and a suitable conductive grease applied before use.
- Supplied in clear, sealed, heavy duty, UV stabilized plastic bag.
- Supplied with a static discharge string in keeper.

TBFX-SS-90 SPECIFICATION



Eskom Code	PLP Cat. No.	Tube Dia. (A) (mm)	PCD (mm)	(B) (mm)	(C) (mm)	Maximum Rated Current @90°C	Maximum Voltage kV rms	Weight kg
EEC-PI-FS 90-A/B	TBFX-80-FS-90	80	76/127	130	325	2000	145	17.3
EEC-PI-FS 90-E/F	TBFX-120-FS-90	120	76/127	150	335	3150	145	20.8
EEC-PI-FS 90-N/P/Q	TBFX-200-FS-90	200	76/127/225	200	375	4000	800	53.2
EEC-PI-FS 90-R	TBFX-250-FS-90	250	76/127/225	230	395	4000	800	65.3

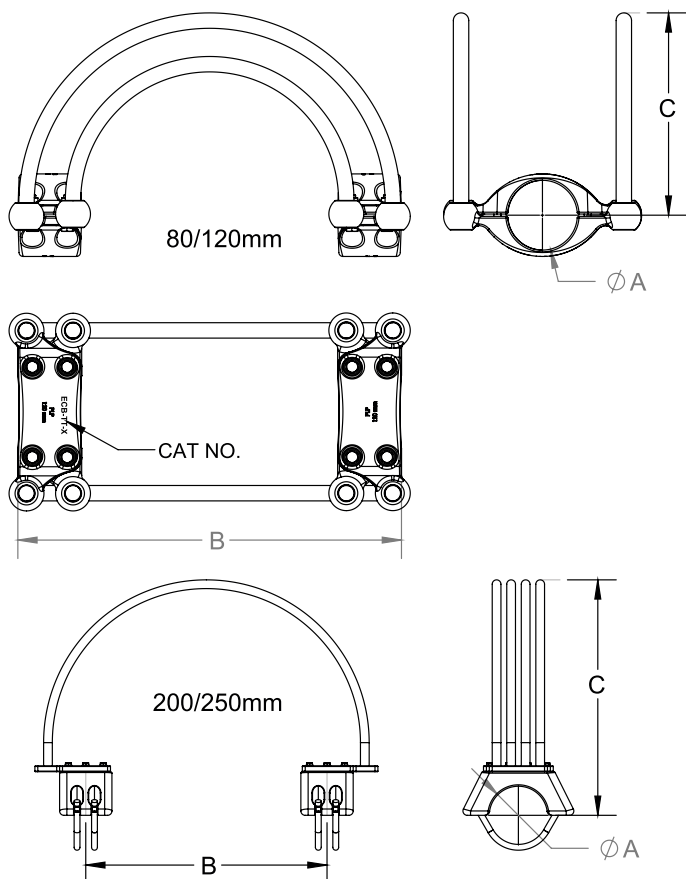


TBCB

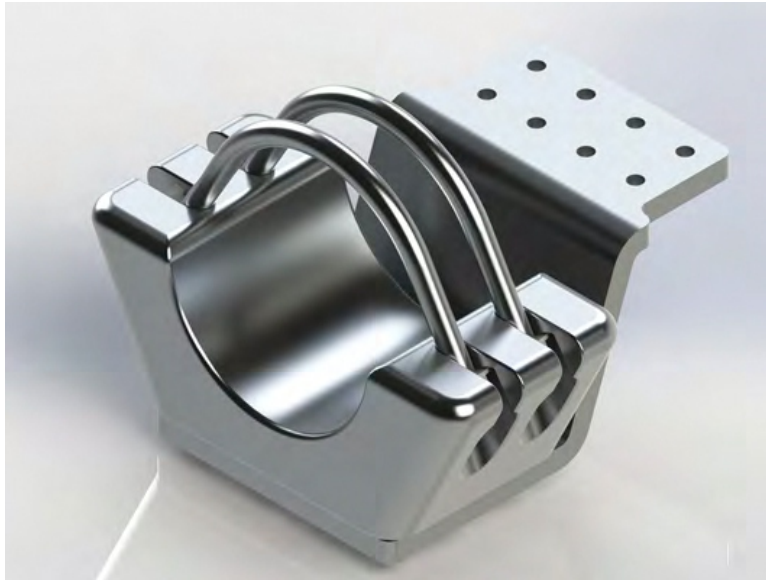
FEATURES AND BENEFITS

- To connect two busbar current bridge.
- Material: Fasteners for: Tube diam. 80 - 120mm Stainless Gr. A4. Tube Diam. 150-250mm Anodised HT 7075 AL Alloy. Components are cast aluminium.
- Bolt torque values: M10 (St steel) 35Nm, (AL.) 21Nm M12 (St steel) 60Nm, (AL.) 36Nm, M20 (HDG) 90Nm M24 (HDG) 130Nm
- Cat No. to be stamped on substation body casting.
- All bolted joint clamp and conductor/busbar surfaces to be cleaned with a stainless steel wire brush and a suitable conductive grease applied before use.
- Supplied in clear, sealed, heavy duty, UV stabilized plastic bag.
- Supplied with a static discharge string in keeper.

TBCB SPECIFICATION



Eskom Code	PLP Cat. No.	Tube Dia. (A) (mm)	(B) (mm)	(C) (mm)	Maximum Rated Current @90°C	Maximum Voltage kV rms	Weight kg
ECB-TT-A	TBCB-80	80	600	340	2000	145	10.2
ECB-TT-C	TBCB-120	120	660	350	3150	145	13.3
ECB-TT-F	TBCB-200	200	720	510	4000	800	28.8
ECB-TT-G	TBCB-250	250	720	550	4000	800	35.3

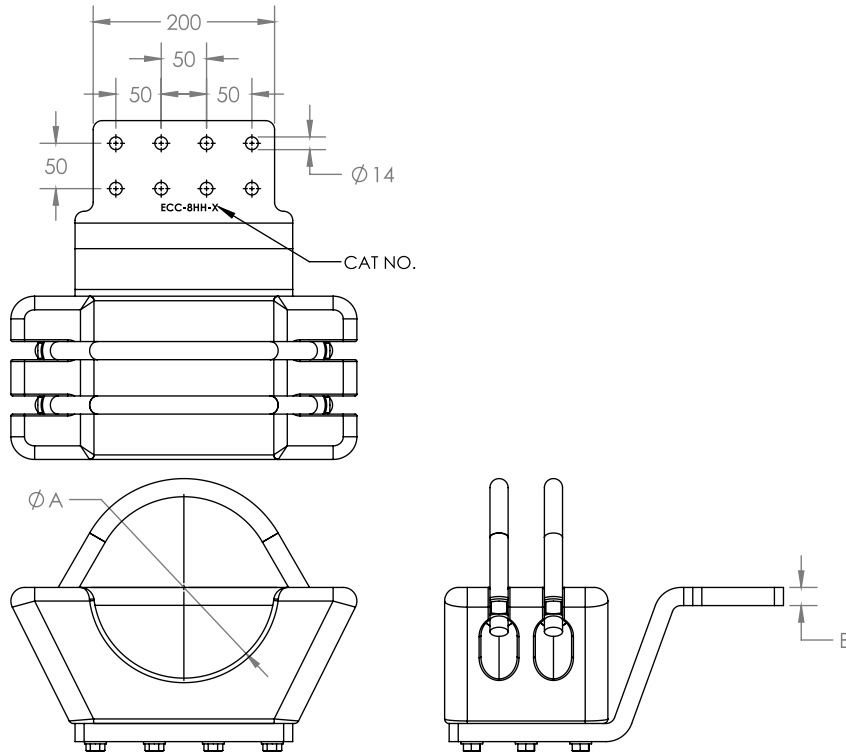


TBP-8H-IL

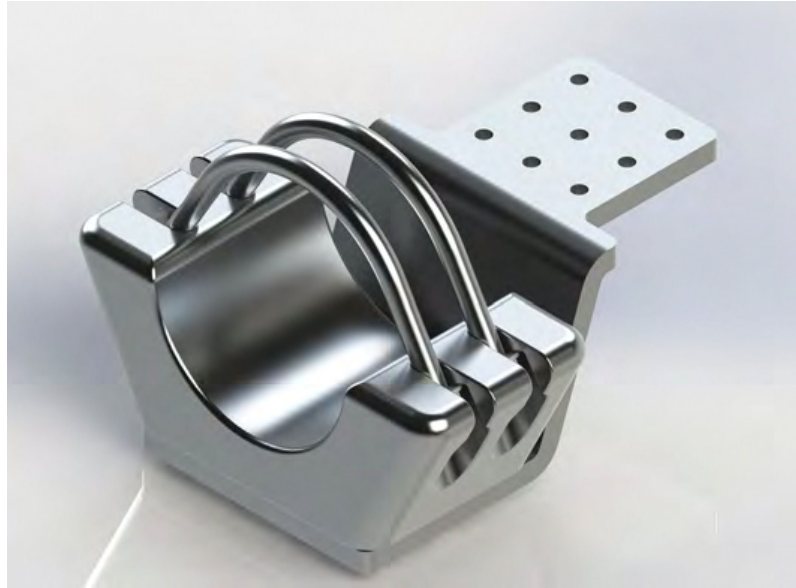
FEATURES AND BENEFITS

- To connect a busbar to an 8 hole terminal.
- Material: Fasteners for: Tube diam. 80 - 120mm Stainless Gr. A4. Tube Diam. 150-250mm Anodised HT 7075 AL Alloy. Components are cast aluminium.
- Bolt torque values: M10 (St steel) 35Nm, (AL.) 21Nm M12 (St steel) 60Nm, (AL.) 36Nm, M20 (HDG) 90Nm M24 (HDG) 130Nm
- Cat No. to be stamped on substation body casting.
- All bolted joint clamp and conductor/busbar surfaces to be cleaned with a stainless steel wire brush and a suitable conductive grease applied before use.
- Supplied in clear, sealed, heavy duty, UV stabilized plastic bag.

TBP-8H-IL SPECIFICATION



Eskom Code	PLP Cat. No.	Tube Dia. (A) (mm)	(B) (mm)	Maximum Rated Current @90°C	Maximum Voltage kV rms	Weight kg
ECC-8HH-C	TBP-200-8H-IL	200	20	4000	800	14.7
ECC-8HH-D	TBP-250-8H-IL	250	20	4000	800	18.9

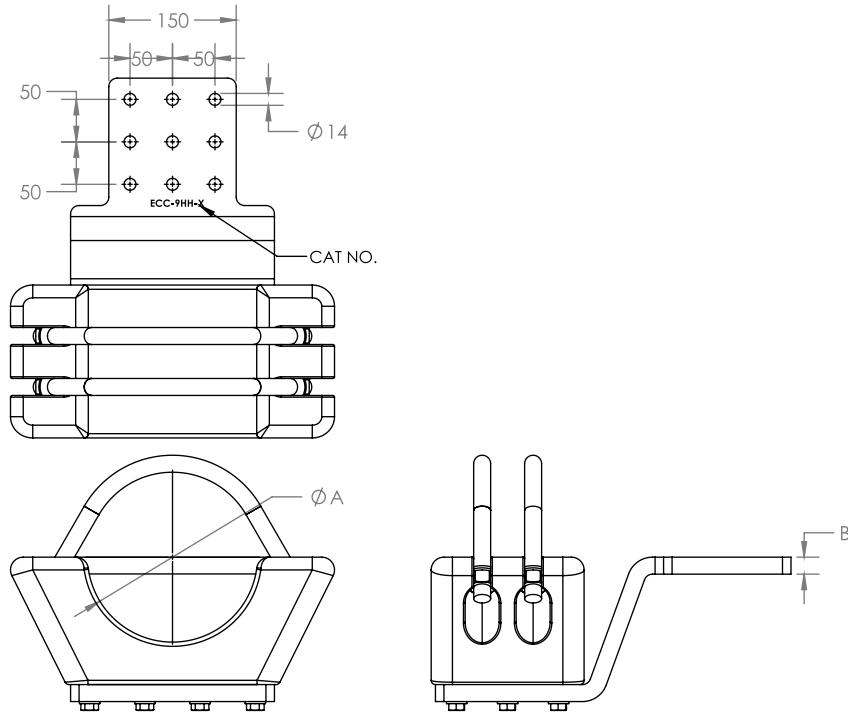


TBP-9H-IL

FEATURES AND BENEFITS

- To connect a busbar to an 9 hole terminal.
- Material: Fasteners for: Tube Diam. 150-250mm Anodised HT 7075 AL Alloy.
Components are cast aluminium.
- Bolt torque values: M12 (St steel) 60Nm, (AL.) 36Nm, M20 (HDG) 90Nm
M24 (HDG) 130Nm
- Cat No. to be stamped on substation body casting.
- All bolted joint clamp and conductor/busbar surfaces to be cleaned with a stainless steel wire brush and a suitable conductive grease applied before use.
- Supplied in clear, sealed, heavy duty, UV stabilized plastic bag.

TBP-9H-IL SPECIFICATION



Eskom Code	PLP Cat. No.	Tube Dia. (A) (mm)	(B) (mm)	Maximum Rated Current @90°C	Maximum Voltage kV rms	Weight kg
ECC-9HH-A	TBP-200-9H-IL	200	20	4000	800	14.7
ECC-9HH-B	TBP-250-9H-IL	250	20	4000	800	18.9

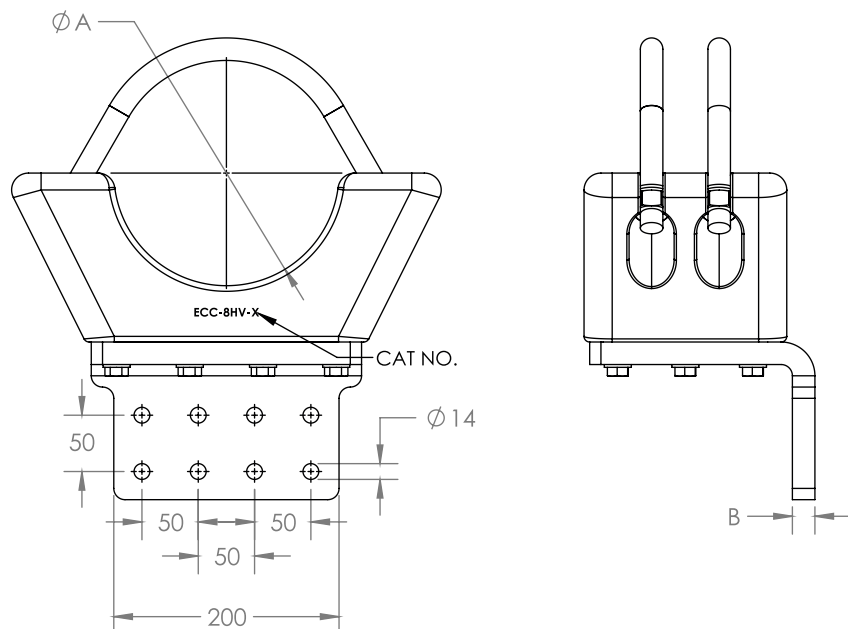


TBP-8H-T0

FEATURES AND BENEFITS

- To connect a busbar to an 8 hole terminal.
- Material: Fasteners for: Tube Diam. 150-250mm Anodised HT 7075 AL Alloy.
Components are cast aluminium.
- Bolt torque values: M12 (St steel) 60Nm, (AL.) 36Nm, M20 (HDG) 90Nm
M24 (HDG) 130Nm
- Cat No. to be stamped on substation body casting.
- All bolted joint clamp and conductor/busbar surfaces to be cleaned with a stainless steel wire brush and a suitable conductive grease applied before use.
- Supplied in clear, sealed, heavy duty, UV stabilized plastic bag.

TBP-8H-TO SPECIFICATION



Eskom Code	PLP Cat. No.	Tube Dia. (A) (mm)	(B) (mm)	Maximum Rated Current @90°C	Maximum Voltage kV rms	Weight kg
ECC-8HV-C	TBP-200-8H-TO	200	20	4000	800	12.7
ECC-8HV-D	TBP-250-9H-TO	250	20	4000	800	16.9

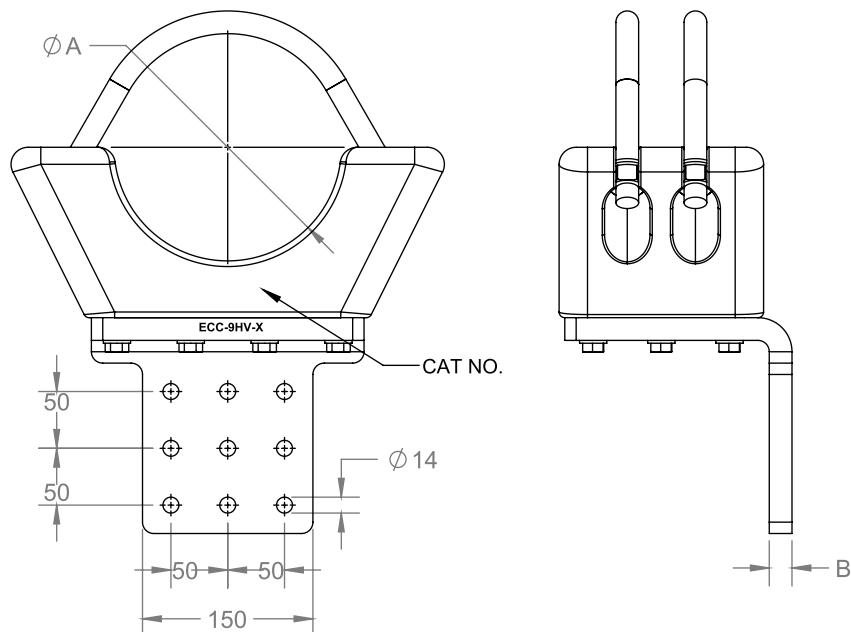


TBP-9H-T0

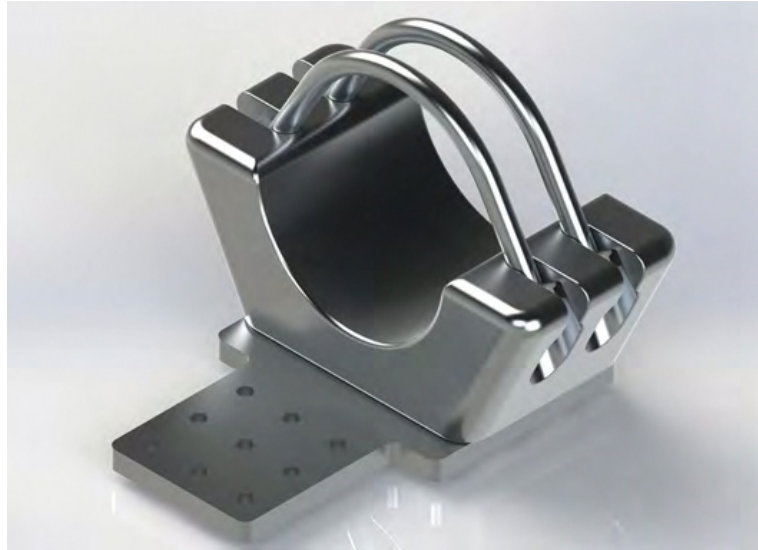
FEATURES AND BENEFITS

- To connect a busbar to an 9 hole terminal.
- Material: Fasteners for: Tube Diam. 150-250mm Anodised HT 7075 AL Alloy.
Components are cast aluminium.
- Bolt torque values: M12 (St steel) 60Nm, (AL.) 36Nm, M20 (HDG) 90Nm
M24 (HDG) 130Nm
- Cat No. to be stamped on substation body casting.
- All bolted joint clamp and conductor/busbar surfaces to be cleaned with a stainless steel wire brush and a suitable conductive grease applied before use.
- Supplied in clear, sealed, heavy duty, UV stabilized plastic bag.

TBP-9H-TO SPECIFICATION



Eskom Code	PLP Cat. No.	Tube Dia. (A) (mm)	(B) (mm)	Maximum Rated Current @90°C	Maximum Voltage kV rms	Weight kg
ECC-9HV-C	TBP-200-9H-TO	200	20	4000	800	12.7
ECC-9HV-D	TBP-250-9H-TO	250	20	4000	800	16.9

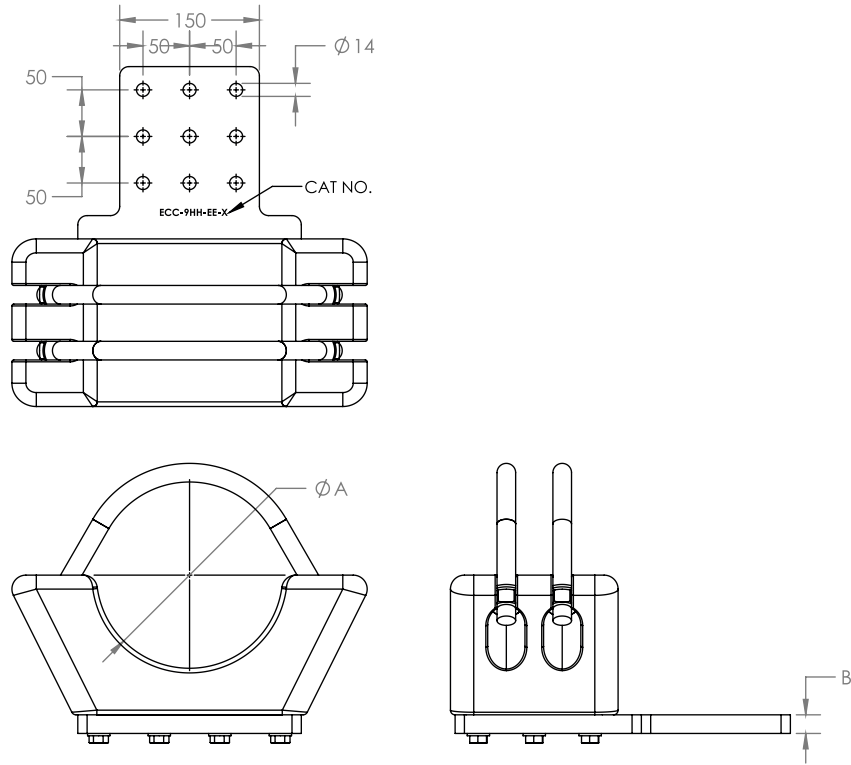


TBP-9H-0

FEATURES AND BENEFITS

- To connect a busbar to an 9 hole terminal.
- Material: Fasteners for: Tube Diam. 150-250mm Anodised HT 7075 AL Alloy.
Components are cast aluminium.
- Bolt torque values: M12 (St steel) 60Nm, (AL.) 36Nm, M20 (HDG) 90Nm
M24 (HDG) 130Nm
- Cat No. to be stamped on substation body casting.
- All bolted joint clamp and conductor/busbar surfaces to be cleaned with a stainless steel wire brush and a suitable conductive grease applied before use.
- Supplied in clear, sealed, heavy duty, UV stabilized plastic bag.

TBP-9H-0 SPECIFICATION



Eskom Code	PLP Cat. No.	Tube Dia. (A) (mm)	(B) (mm)	Maximum Rated Current @90°C	Maximum Voltage kV rms	Weight kg
ECC-9HH-EE-A	TBP-200-9H-0	200	20	4000	800	12.7
ECC-9HH-EE-A	TBP-250-9H-0	250	20	4000	800	16.9

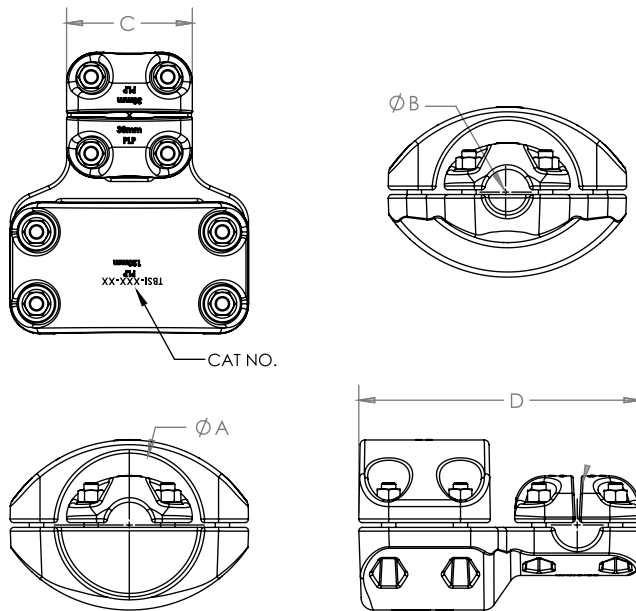


TBSI

FEATURES AND BENEFITS

- To connect two busbar to a single solid stem.
- Material: Fasteners for: Tube diam. 80 - 120mm Stainless Gr. A4. Tube Diam. 150-250mm Anodised HT 7075 AL Alloy. Components are cast aluminium.
- Bolt torque values: M10 (St steel) 35Nm, (AL.) 21Nm M12 (St steel) 60Nm, (AL.) 36Nm
- Cat No. to be stamped on substation body casting.
- All bolted joint clamp and conductor/busbar surfaces to be cleaned with a stainless steel wire brush and a suitable conductive grease applied before use.
- Supplied in clear, sealed, heavy duty, UV stabilized plastic bag.

TBSI SPECIFICATION



Eskom Code	PLP Cat. No.	Tube Dia. (A) (mm)	Stem Dia. (B) (mm)	(C) (mm)	(D) (mm)	Maximum Rated Current @90°C	Maximum Voltage kV rms	Weight kg
ECC-IL-ST-A	TBSI-80-26	80	26	105	205	900	145	3.3
ECC-IL-ST-B	TBSI-80-38	80	38	105	205	2500	145	3.2
ECC-IL-ST-E	TBSI-120-26	120	26	105	235	900	145	4.9
ECC-IL-ST-F	TBSI-120-38	120	38	105	235	2500	800	4.8
ECC-IL-ST-G	TBSI-120-60	120	60	205	310	3150	145	5.9
ECC-IL-ST-K	TBSI-200-60	200	60	160	350	3150	420	16.8
ECC-IL-ST-L	TBSI-250-60	250	60	160	525	3150	420	22.5

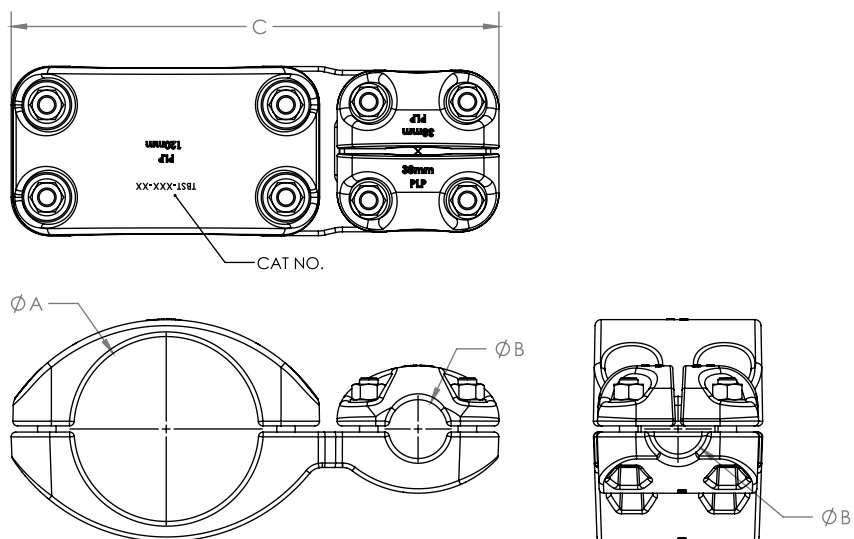


TBST

FEATURES AND BENEFITS

- To connect two busbar to a single solid stem.
- Material: Fasteners for: Tube diam. 80 - 120mm Stainless Gr. A4. Tube Diam. 150-250mm Anodised HT 7075 AL Alloy. Components are cast aluminium.
- Bolt torque values: M10 (St steel) 35Nm, (AL.) 21Nm M12 (St steel) 60Nm, (AL.) 36Nm
- Cat No. to be stamped on substation body casting.
- All bolted joint clamp and conductor/busbar surfaces to be cleaned with a stainless steel wire brush and a suitable conductive grease applied before use.
- Supplied in clear, sealed, heavy duty, UV stabilized plastic bag.

TBST SPECIFICATION



Eskom Code	PLP Cat. No.	Tube Dia. (A) (mm)	Stem Dia. (B) (mm)	(C) (mm)	Maximum Rated Current @90°C	Maximum Voltage kV rms	Weight kg
ECC-T-ST-A	TBST-80-26	80	26	260	900	900	3.4
ECC-T-ST-B	TBST-80-38	80	38	260	1350	1350	3.3
ECC-T-ST-E	TBST-120-26	120	26	315	900	900	4.7
ECC-T-ST-F	TBST-120-38	120	38	315	1350	1350	4.6

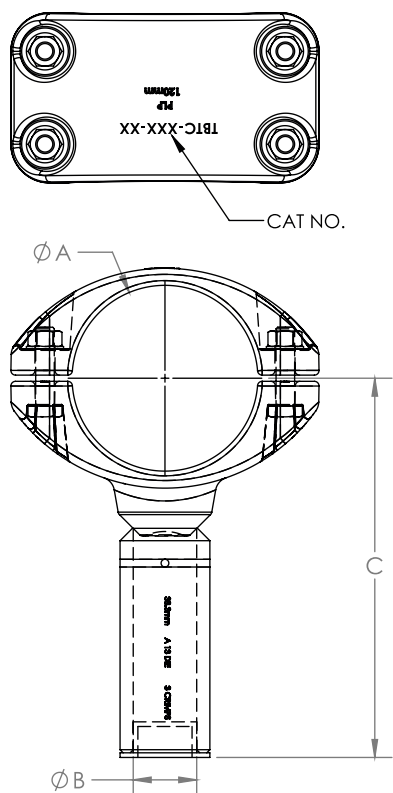


TBCT-C1

FEATURES AND BENEFITS

- To connect two busbar to a stranded conductor.
- Material: Fasteners for: Tube diam. 80 - 120mm Stainless Gr. A4. Tube Diam. 150-250mm Anodised HT 7075 AL Alloy. Components are cast aluminium.
- Bolt torque values: M10 (St steel) 35Nm, (AL.) 21Nm M12 (St steel) 60Nm, (AL.) 36Nm
- Cat No. to be stamped on substation body casting.
- All bolted joint clamp and conductor/busbar surfaces to be cleaned with a stainless steel wire brush and a suitable conductive grease applied before use.
- Supplied in clear, sealed, heavy duty, UV stabilized plastic bag.

TBCT-C1 SPECIFICATION



Eskom Code	PLP Cat. No.	Tube Dia. (A) (mm)	Cond. Dia. (B) (mm)	(C) (mm)	After Comp (A.F.)(mm)	ALCAN DIE	Minimum Rated Current @90°C	Minimum Voltage kV rms	Weight kg
ETP-IL-1-A	TBCT-80-16-C1	80	16.3	220	26	K-32	450	145	1.8
ETP-IL-1-B	TBCT-80-26-C1	80	26.5	220	36	DA-10	900	145	2.0
ETP-IL-1-C	TBCT-80-38-C1	80	38.3	220	49	DA-13	1350	145	2.2
ETP-IL-1-G	TBCT-120-16-C1	120	16.3	240	26	K-32	450	145	3.2
ETP-IL-1-H	TBCT-120-26-C1	120	26.5	240	36	DA-10	900	145	3.4
ETP-IL-1-J	TBCT-120-38-C1	120	38.3	240	49	DA-13	1350	145	3.6
ETP-IL-1-M	TBCT-200-38-C1	200	38.3	280	49	DA-13	1350	145	5.3
ETP-IL-1-N	TBCT-250-38-C1	250	38.3	305	49	DA-13	1350	145	6.0

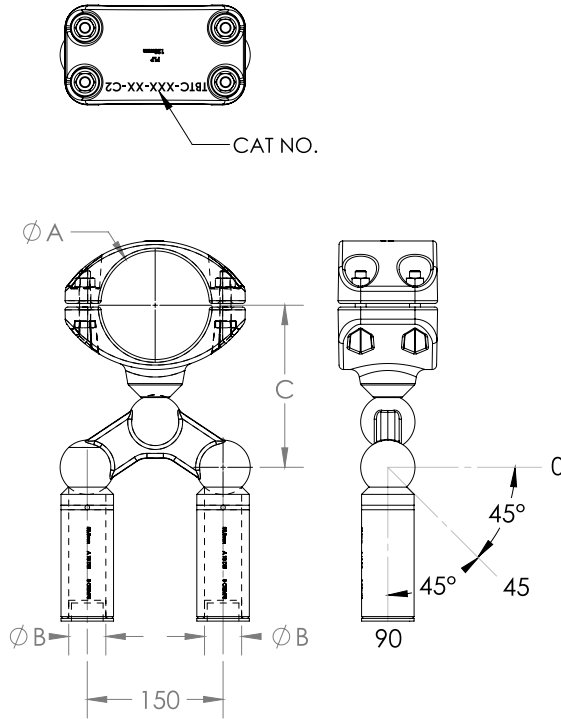


TBTC-C2

FEATURES AND BENEFITS

- To connect two busbar to a stranded conductor.
- Material: Fasteners for: Tube diam. 80 - 120mm Stainless Gr. A4. Tube Diam. 150-250mm Anodised HT 7075 AL Alloy. Components are cast aluminium.
- Bolt torque values: M10 (St steel) 35Nm, (AL.) 21Nm M12 (St steel) 60Nm, (AL.) 36Nm
- Cat No. to be stamped on substation body casting.
- All bolted joint clamp and conductor/busbar surfaces to be cleaned with a stainless steel wire brush and a suitable conductive grease applied before use.
- Supplied in clear, sealed, heavy duty, UV stabilized plastic bag.

TBTC-C2 SPECIFICATION



Eskom Code	PLP Cat. No.	Tube Dia. (A) (mm)	Cond. Dia. (B) (mm)	(C) (mm)	After Comp (A.F.)(mm)	ALCAN DIE	Minimum Rated Current @90°C	Minimum Voltage kV rms	Angle Offset	Weight kg
ETP-IL-2-A	TBTC-80-26-C2-0	80	2x26.5	155	36	DA-10	1700	145	0	3.5
ETP-IL-2-B	TBTC-80-26-C2-45	80	2x26.5	155	36	DA-10	1700	145	45	3.5
ETP-IL-2-C	TBTC-80-26-C2-90	80	2x26.5	155	36	DA-10	1700	145	90	3.5
ETP-IL-2-D	TBTC-80-38-C2-0	80	2x38.3	155	49	DA-13	2000	145	0	3.9
ETP-IL-2-E	TBTC-80-38-C2-45	80	2x38.3	155	49	DA-13	2000	145	45	3.9
ETP-IL-2-F	TBTC-80-38-C2-90	80	2x38.3	155	49	DA-13	2000	145	90	3.9
ETP-IL-2-N	TBTC-120-26-C2-0	120	2x26.5	180	36	DA-10	1700	145	0	4.9
ETP-IL-2-P	TBTC-120-26-C2-45	120	2x26.5	180	36	DA-10	1700	145	45	4.9
ETP-IL-2-Q	TBTC-120-26-C2-90	120	2x26.5	180	36	DA-10	1700	145	90	4.9
ETP-IL-2-R	TBTC-120-38-C2-0	120	2x38.3	180	49	DA-13	2700	145	0	5.4
ETP-IL-2-S	TBTC-120-38-C2-45	120	2x38.3	180	49	DA-13	2700	145	45	5.4
ETP-IL-2-T	TBTC-120-38-C2-90	120	2x38.3	180	49	DA-13	2700	145	90	5.4
ETP-IL-2-AA	TBTC-200-38-C2-0	200	2x38.3	220	49	DA-13	2700	420	0	13.7
ETP-IL-2-AB	TBTC-200-38-C2-45	200	2x38.3	220	49	DA-13	2700	420	45	13.7
ETP-IL-2-AC	TBTC-200-38-C2-90	200	2x38.3	220	49	DA-13	2700	420	90	13.7
ETP-IL-2-AD	TBTC-250-38-C2-0	250	2x38.3	245	49	DA-13	2700	420	0	14.9
ETP-IL-2-AE	TBTC-250-38-C2-45	250	2x38.3	245	49	DA-13	2700	420	45	14.9
ETP-IL-2-AF	TBTC-250-38-C2-90	250	2x38.3	245	49	DA-13	2700	420	90	14.9



TBTC-C3

FEATURES AND BENEFITS

- To connect two busbar to a triple stranded conductor.
- Material: Fasteners for: Tube Diam. 150-250mm Anodised HT 7075 AL Alloy Extruded aluminium tubing
Components are cast aluminium.
- Bolt torque values: M10 (St steel) 35Nm, (AL.) 21Nm, M12 (St steel) 60Nm, (AL.) 36Nm
- Cat No. to be stamped on substation body casting.
- All bolted joint clamp and conductor/busbar surfaces to be cleaned with a stainless steel wire brush and a suitable conductive grease applied before use.
- Supplied in clear, sealed, heavy duty, UV stabilized plastic bag.

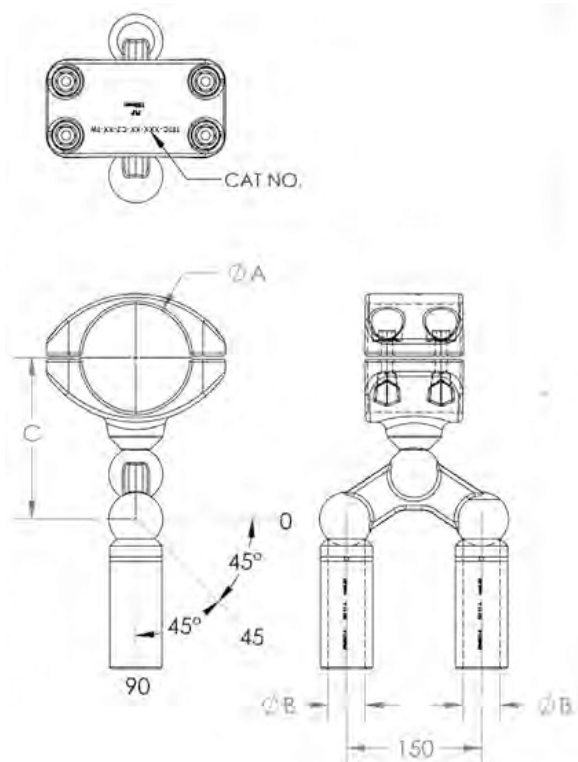


TBTC-C2-TW

FEATURES AND BENEFITS

- To connect two busbar to a stranded conductor.
- Material: Fasteners for: Tube diam. 80 - 120mm Stainless Gr. A4. Tube Diam. 150-250mm Anodised HT 7075 AL Alloy. Components are cast aluminium.
- Bolt torque values: M10 (St steel) 35Nm, (AL.) 21Nm M12 (St steel) 60Nm, (AL.) 36Nm
- Cat No. to be stamped on substation body casting.
- All bolted joint clamp and conductor/busbar surfaces to be cleaned with a stainless steel wire brush and a suitable conductive grease applied before use.
- Supplied in clear, sealed, heavy duty, UV stabilized plastic bag.

TBTC-C2-TW SPECIFICATION



Eskom Code	PLP Cat. No.	Tube Dia. (A) (mm)	Cond. Dia. (B) (mm)	(C) (mm)	After Comp (A.F.)(mm)	ALCAN DIE	Minimum Rated Current @90°C	Minimum Voltage kV rms	Angle Offset	Weight kg
ETP-TW-2-A	TBTC-80-26-C2-0-TW	80	2x26.5	155	36	DA-10	1700	145	0	3.5
ETP-TW-2-B	TBTC-80-26-C2-45-TW	80	2x26.5	155	36	DA-10	1700	145	45	3.5
ETP-TW-2-C	TBTC-80-26-C2-90-TW	80	2x26.5	155	36	DA-10	1700	145	90	3.5
ETP-TW-2-D	TBTC-80-38-C2-0-TW	80	2x38.3	155	49	DA-13	2000	145	0	3.9
ETP-TW-2-E	TBTC-80-38-C2-45-TW	80	2x38.3	155	49	DA-13	2000	145	45	3.9
ETP-TW-2-F	TBTC-80-38-C2-90-TW	80	2x38.3	155	49	DA-13	2000	145	90	3.9
ETP-TW-2-N	TBTC-120-26-C2-0-TW	120	2x26.5	180	36	DA-10	1800	145	0	4.9
ETP-TW-2-P	TBTC-120-26-C2-45-TW	120	2x26.5	180	36	DA-10	1800	145	45	4.9
ETP-TW-2-Q	TBTC-120-26-C2-90-TW	120	2x26.5	180	36	DA-10	1800	145	90	4.9
ETP-TW-2-R	TBTC-120-38-C2-0-TW	120	2x38.3	180	49	DA-13	2700	145	0	5.4
ETP-TW-2-S	TBTC-120-38-C2-45-TW	120	2x38.3	180	49	DA-13	2700	145	45	5.4
ETP-TW-2-T	TBTC-120-38-C2-90-TW	120	2x38.3	180	49	DA-13	2700	145	90	5.4
ETP-TW-2-AA	TBTC-200-38-C2-0-TW	200	2x38.3	220	49	DA-13	2700	800	0	13.7
ETP-TW-2-AB	TBTC-200-38-C2-45-TW	200	2x38.3	220	49	DA-13	2700	800	45	13.7
ETP-TW-2-AC	TBTC-200-38-C2-90-TW	200	2x38.3	220	49	DA-13	2700	800	90	13.7
ETP-TW-2-AD	TBTC-250-38-C2-0-TW	250	2x38.3	245	49	DA-13	2700	800	0	14.9
ETP-TW-2-AE	TBTC-250-38-C2-45-TW	250	2x38.3	245	49	DA-13	2700	800	45	14.9
ETP-TW-2-AF	TBTC-250-38-C2-90-TW	250	2x38.3	245	49	DA-13	2700	800	90	14.9

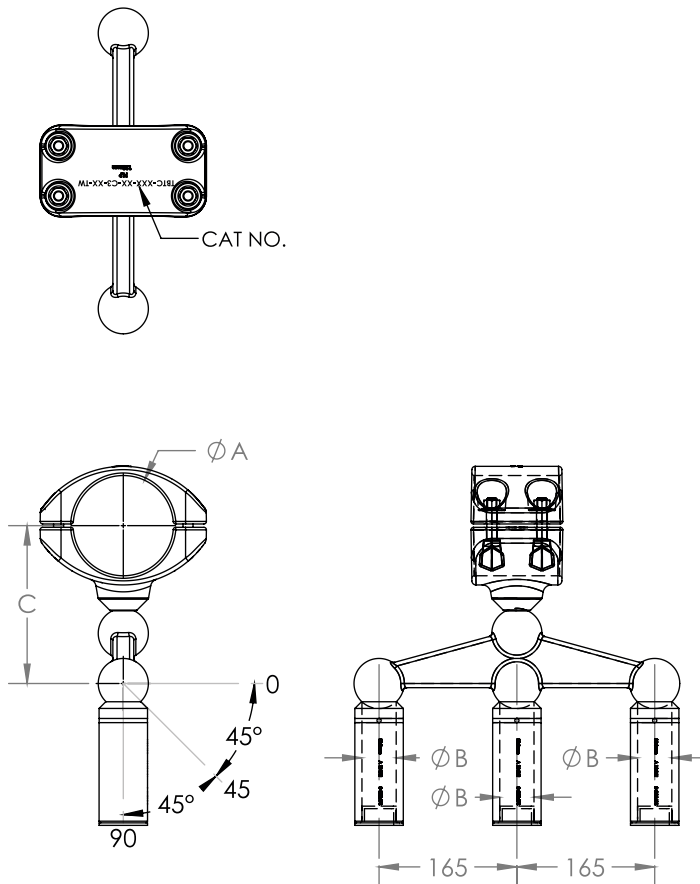


TBTC-C3-TW

FEATURES AND BENEFITS

- To connect two busbar to a triple stranded conductor.
- Material: Fasteners for: Tube Diam. 150-250mm Anodised HT 7075 AL Alloy Extruded aluminium tubing
Components are cast aluminium.
- Bolt torque values: M10 (St steel) 35Nm, (AL.) 21Nm, M12 (St steel) 60Nm, (AL.) 36Nm
- Cat No. to be stamped on substation body casting.
- All bolted joint clamp and conductor/busbar surfaces to be cleaned with a stainless steel wire brush and a suitable conductive grease applied before use.
- Supplied in clear, sealed, heavy duty, UV stabilized plastic bag.

TBTC-C3-TW SPECIFICATION



Eskom Code	PLP Cat. No.	Tube Dia. (A) (mm)	Cond. Dia. (B) (mm)	(C) (mm)	After Comp (A.F.)(mm)	ALCAN DIE	Minimum Rated Current @90°C	Minimum Voltage kV rms	Angle Offset	Weight kg
ETP-TW-3-G	TBTC-200-38-C3-0-TW	200	3X38.3	230	49	DA-13	4000	145	0	15.2
ETP-TW-3-H	TBTC-200-38-C3-45-TW	200	3X38.3	220	49	DA-13	4000	145	45	15.2
ETP-TW-3-J	TBTC-200-38-C3-90-TW	200	3X38.3	220	49	DA-13	4000	145	90	15.2
ETP-TW-3-K	TBTC-250-38-C3-0-TW	250	3X38.3	245	49	DA-13	4000	145	0	17.1
ETP-TW-3-L	TBTC-250-38-C3-45-TW	250	3X38.3	245	49	DA-13	4000	145	45	17.1
ETP-TW-3-M	TBTC-250-38-C3-90-TW	250	3X38.3	245	49	DA-13	4000	145	90	17.1

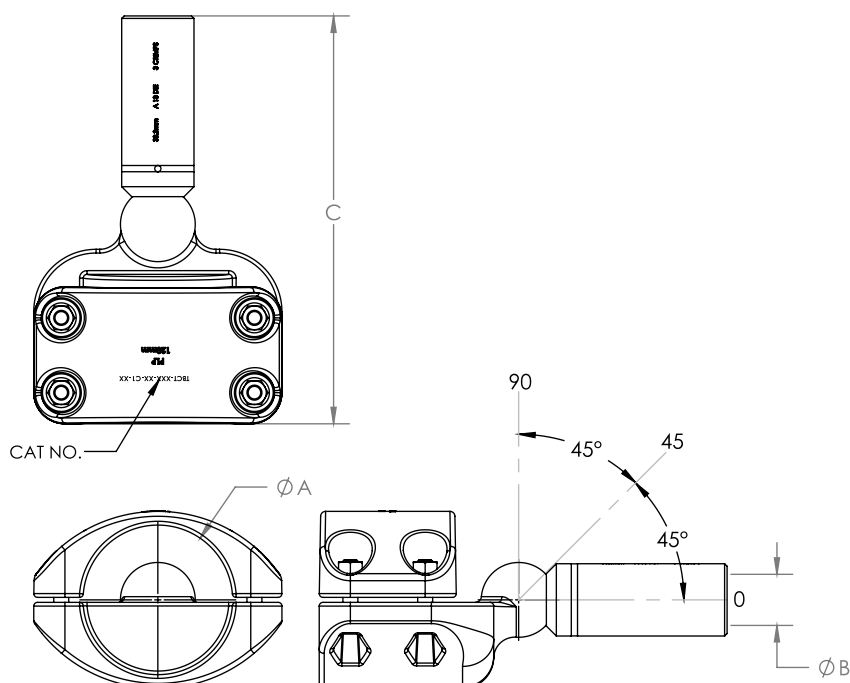


TBCT-CI

FEATURES AND BENEFITS

- To connect to busbar to a stranded conductor.
- Material: Fasteners for: Tube diam. 80 - 120mm Stainless Gr. A4.
- Extruded aluminium tubing components are cast aluminium.
- Bolt torque values: M10 (St steel) 35Nm, (AL.) 21Nm M12 (St steel) 60Nm
- Cat No. to be stamped on substation body casting.
- All bolted joint clamp and conductor/busbar surfaces to be cleaned with a stainless steel wire brush and a suitable conductive grease applied before use.
- Supplied in clear, sealed, heavy duty, UV stabilized plastic bag.

TBCT-C1 SPECIFICATION



Eskom Code	PLP Cat. No.	Tube Dia. (A) (mm)	Cond. Dia. (B) (mm)	(C) (mm)	Angle Offset	Minimum Rated Current @90°C	Minimum Voltage kV rms	Weight kg
ETP-TE-IL-1-A	TBCT-80-26-C1-0	80	1X26.5	300	0	4000	145	15.2
ETP-TE-IL-1-B	TBCT-80-38-C1-0	80	1X38.3	300	0	4000	145	15.2
ETP-TE-IL-1-E	TBCT-120-26-C1-0	120	1X26.5	330	0	4000	145	15.2
ETP-TE-IL-1-F	TBCT-120-38-C1-0	120	1X38.3	330	0	4000	145	17.1
ETP-TE-IL-1-G	TBCT-200-38-C1-0	200	1X38.3	355	0	4000	145	17.1
ETP-TE-IL-1-H	TBCT-250-38-C1-0	250	1X38.3	415	0	4000	145	17.1

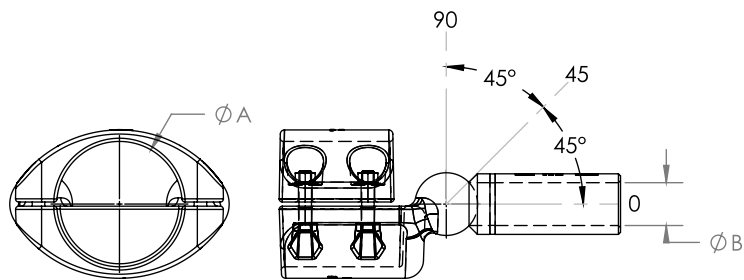
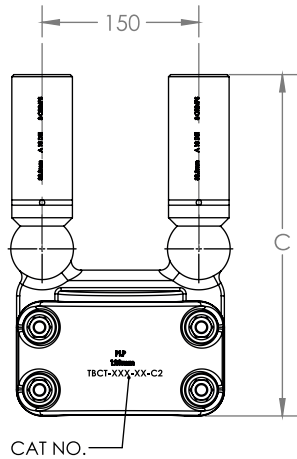


TBCT-C2

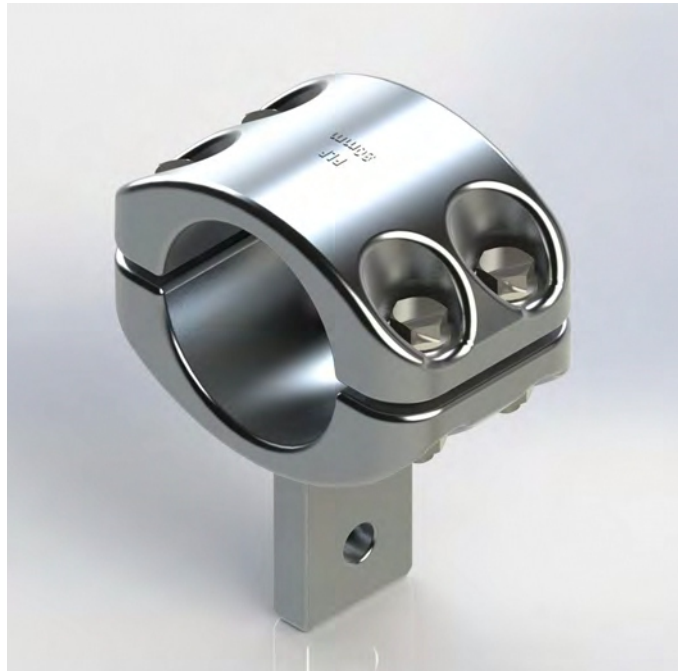
FEATURES AND BENEFITS

- To connect to busbar to a twin stranded conductor.
- Material: Fasteners for: Tube diam. 80 - 120mm Stainless Gr. A4.
- Extruded aluminium tubing components are cast aluminium.
- Bolt torque values: M10 (St steel) 35Nm, (AL.) 21Nm M12 (St steel) 60Nm
- Cat No. to be stamped on substation body casting.
- All bolted joint clamp and conductor/busbar surfaces to be cleaned with a stainless steel wire brush and a suitable conductive grease applied before use.
- Supplied in clear, sealed, heavy duty, UV stabilized plastic bag.

TBCT-C2 SPECIFICATION



Eskom Code	PLP Cat. No.	Tube Dia. (A) (mm)	Cond. Dia. (B) (mm)	(C) (mm)	Angle Offset	Minimum Rated Current @90°C	Minimum Voltage kV rms	Weight kg
ETP-TE-IL-2-A	TBCT-80-26-C2-0	80	2X26.5	300	0	1700	145	3.2
ETP-TE-IL-2-B	TBCT-80-38-C2-0	80	2X38.3	300	0	2000	145	3.6
ETP-TE-IL-2-E	TBCT-120-26-C2-0	120	2X26.5	330	0	1700	145	4.8
ETP-TE-IL-2-F	TBCT-120-38-C2-0	120	2X38.3	330	0	2700	145	5.2
ETP-TE-IL-2-G	TBCT-200-38-C2-0	200	2X38.3	360	0	2700	800	8.5
ETP-TE-IL-2-H	TBCT-250-38-C2-0	250	2X38.3	375	0	2700	800	9.6

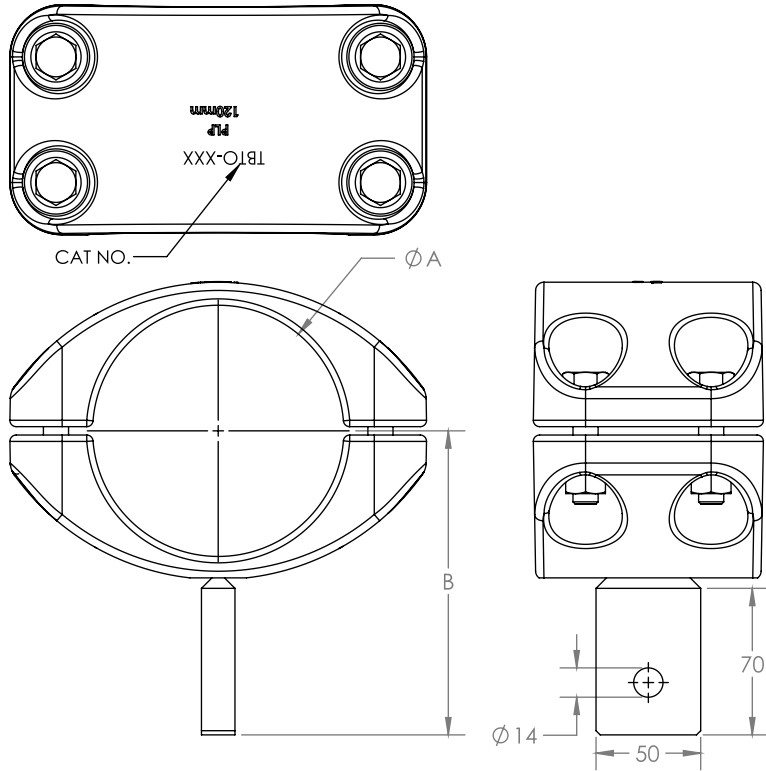


TBTO

FEATURES AND BENEFITS

- To connect to busbar to 1-hole palm.
- Material: Fasteners for: Tube diam. 80 - 120mm Stainless Gr. A4. Components are cast aluminium.
- Bolt torque values: M10 (St steel) 35Nm, (AL.) 21Nm M12 (St steel) 60Nm
- Cat No. to be stamped on substation body casting.
- All bolted joint clamp and conductor/busbar surfaces to be cleaned with a stainless steel wire brush and a suitable conductive grease applied before use.
- Supplied in clear, sealed, heavy duty, UV stabilized plastic bag.

TBTO SPECIFICATION



Eskom Code	PLP Cat. No.	Tube Dia. (A) (mm)	(B) (mm)	Minimum Rated Current @90°C	Minimum Voltage kV rms	Weight kg
ETP-PL-IH-A	TBTO-80	80	125	650	145	1.7
ETP-PL-IH-C	TBTO-120	120	145	650	145	3.0

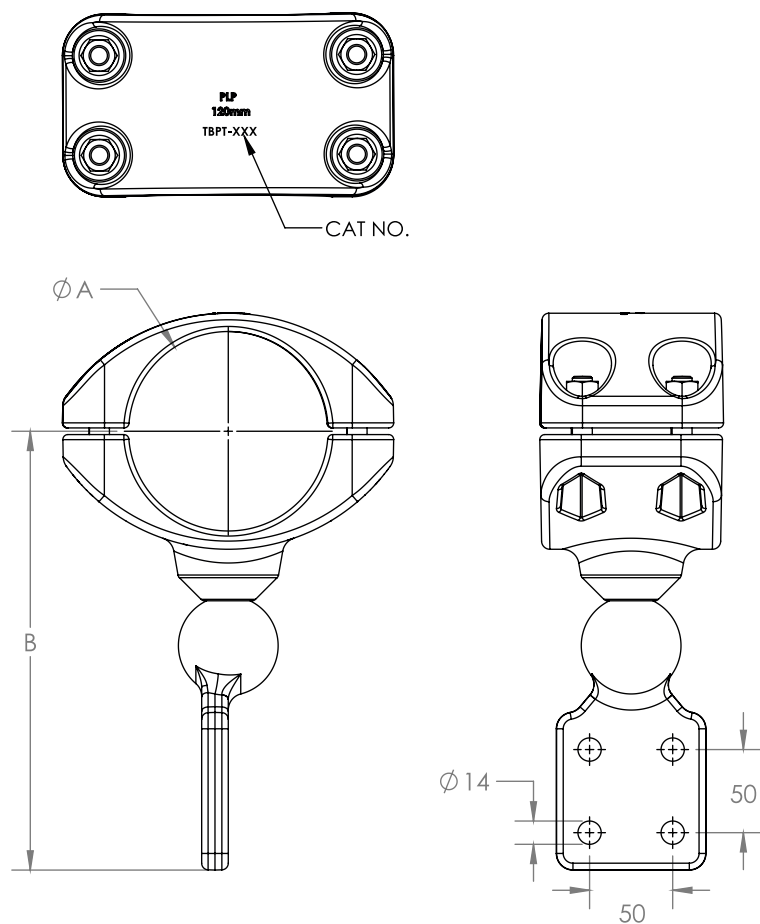


TBPT

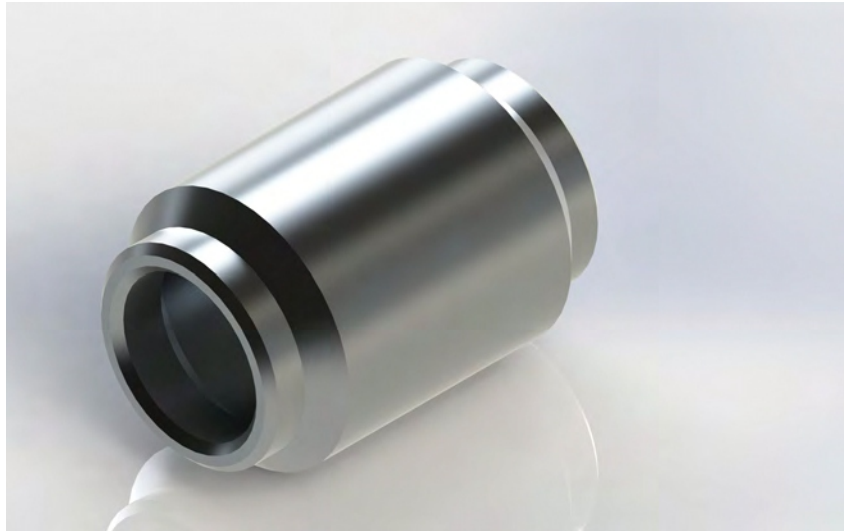
FEATURES AND BENEFITS

- To connect a busbar to 4-hole palm.
- Material: Fasteners for: Tube diam. 80 - 120mm Stainless Gr. A4. Components are cast aluminium.
- Bolt torque values: M10 (St steel) 35Nm, (AL.) 21Nm M12 (St steel) 60Nm
- Cat No. to be stamped on substation body casting.
- All bolted joint clamp and conductor/busbar surfaces to be cleaned with a stainless steel wire brush and a suitable conductive grease applied before use.
- Supplied in clear, sealed, heavy duty, UV stabilized plastic bag.

TBPT SPECIFICATION



Eskom Code	PLP Cat. No.	Tube Dia. (A) (mm)	(B) (mm)	Minimum Rated Current @90°C	Minimum Voltage kV rms	Weight kg
ETP-PL-4H-A	TBPT-80	80	245	1350	145	2.4
ETP-PL-4H-C	TBPT-120	120	265	1350	145	3.8

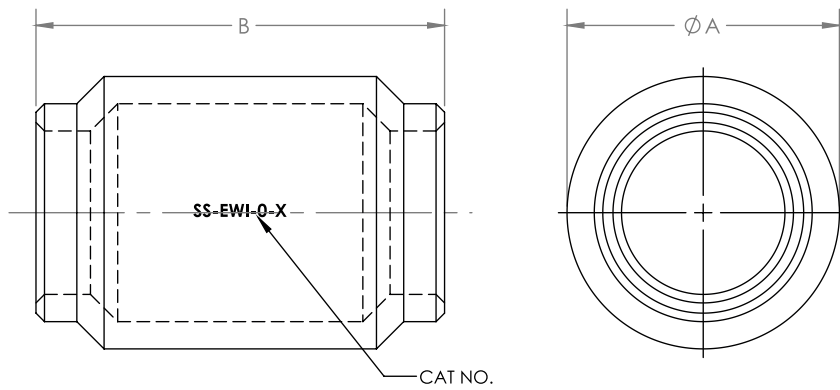


TBWI-0

FEATURES AND BENEFITS

- To connect a two busbar (welded type).
- Material: Cast aluminium.
- Cat No. to be stamped on substation body casting.
- All bolted joint clamp and conductor/busbar surfaces to be cleaned with a stainless steel wire brush and a suitable conductive grease applied before use.
- Supplied in clear, sealed, heavy duty, UV stabilized plastic bag.

TBPT SPECIFICATION



Eskom Code	PLP Cat. No.	Tube Dia. (A) (mm)	(B) (mm)	Minimum Rated Current @90°C	Minimum Voltage kV rms	Weight kg
EWI-0-A	TBWI-80-0	80	120	2000	145	0.55
EWI-0-C	TBWI-120-0	120	120	3150	145	1.65
EWI-0-F	TBWI-120-0	200	180	4000	800	3.80
EWI-0-G	TBWI-250-0	250	200	4000	800	8.23

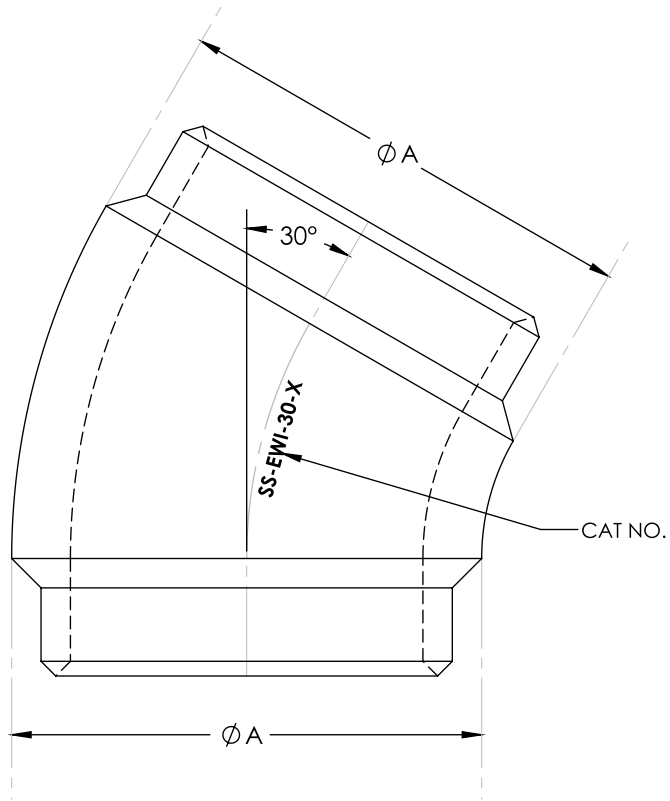


TBWI-30

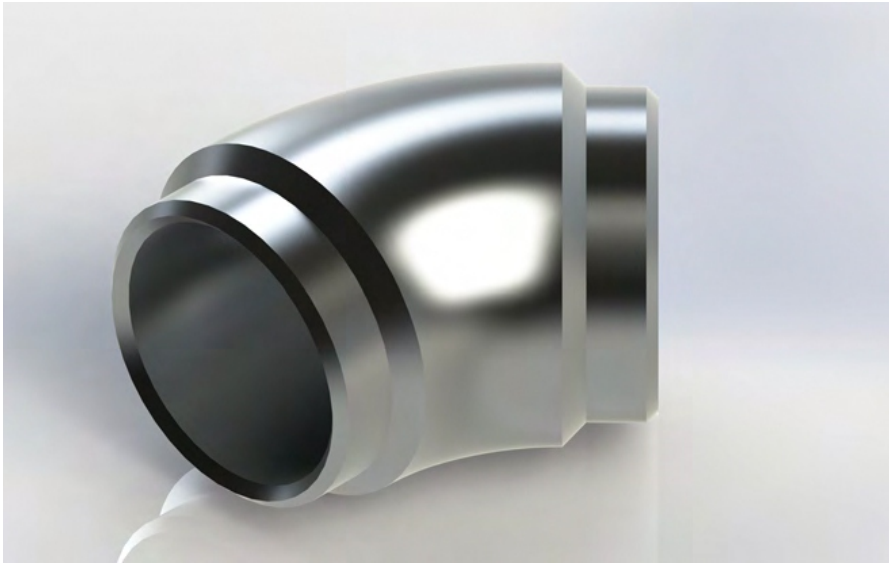
FEATURES AND BENEFITS

- To connect a two busbar (welded type).
- Material: Cast aluminium.
- Cat No. to be stamped on substation body casting.
- All bolted joint clamp and conductor/busbar surfaces to be cleaned with a stainless steel wire brush and a suitable conductive grease applied before use.
- Supplied in clear, sealed, heavy duty, UV stabilized plastic bag.

TBWI-30 SPECIFICATION



Eskom Code	PLP Cat. No.	Tube Dia. (A) (mm)	Minimum Rated Current @90°C	Minimum Voltage kV rms	Weight kg
EWI-30-A	TBWI-80-30	80	2000	145	0.70
EWI-30-C	TBWI-120-30	120	3150	145	1.80
EWI-30-F	TBWI-120-30	200	4000	800	8.00
EWI-30-G	TBWI-250-30	250	4000	800	15.00

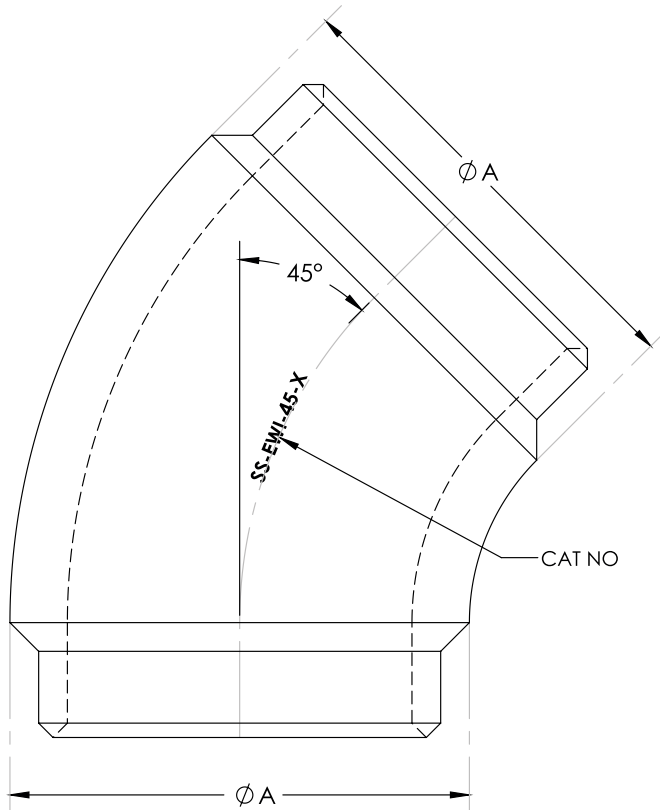


TBWI-45

FEATURES AND BENEFITS

- To connect a two busbar (welded type).
- Material: Cast aluminium.
- Cat No. to be stamped on substation body casting.
- All bolted joint clamp and conductor/busbar surfaces to be cleaned with a stainless steel wire brush and a suitable conductive grease applied before use.
- Supplied in clear, sealed, heavy duty, UV stabilized plastic bag.

TBWI-45 SPECIFICATION



Eskom Code	PLP Cat. No.	Tube Dia. (A) (mm)	Minimum Rated Current @90°C	Minimum Voltage kV rms	Weight kg
EWI-45-A	TBWI-80-45	80	2000	145	1.35
EWI-45-C	TBWI-120-45	120	3150	145	2.50
EWI-45-F	TBWI-120-45	200	4000	800	8.80
EWI-45-G	TBWI-250-45	250	4000	800	19.30

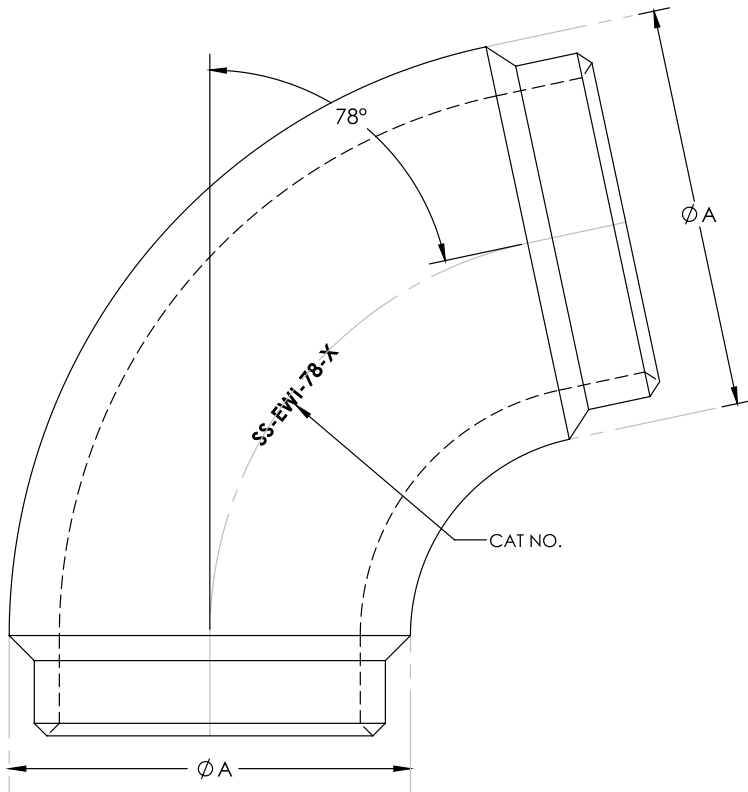


TBWI-78

FEATURES AND BENEFITS

- To connect a two busbar (welded type).
- Material: Cast aluminium.
- Cat No. to be stamped on substation body casting.
- All bolted joint clamp and conductor/busbar surfaces to be cleaned with a stainless steel wire brush and a suitable conductive grease applied before use.
- Supplied in clear, sealed, heavy duty, UV stabilized plastic bag.

TBWI-78 SPECIFICATION



Eskom Code	PLP Cat. No.	Tube Dia. (A) (mm)	Minimum Rated Current @90°C	Minimum Voltage kV rms	Weight kg
EWI-78-A	TBWI-80-78	80	2000	145	2.10
EWI-78-C	TBWI-120-78	120	3150	145	4.40
EWI-78-F	TBWI-2000-78	200	4000	800	5.30
EWI-78-G	TBWI-250-78	250	4000	800	6.70

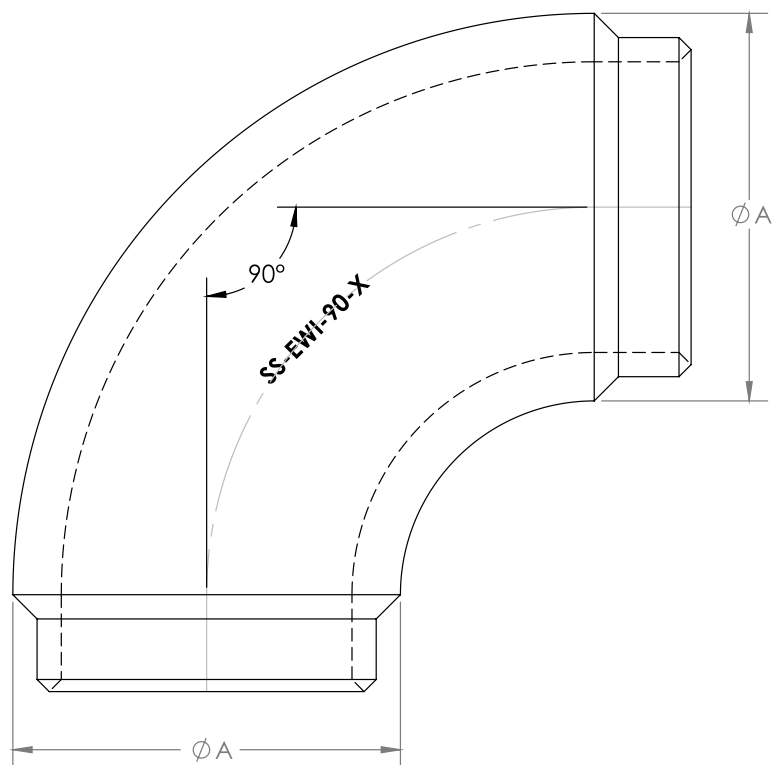


TBWI-90

FEATURES AND BENEFITS

- To connect a two busbar (welded type).
- Material: Cast aluminium.
- Cat No. to be stamped on substation body casting.
- All bolted joint clamp and conductor/busbar surfaces to be cleaned with a stainless steel wire brush and a suitable conductive grease applied before use.
- Supplied in clear, sealed, heavy duty, UV stabilized plastic bag.

TBWI-90 SPECIFICATION



Eskom Code	PLP Cat. No.	Tube Dia. (A) (mm)	Minimum Rated Current @90°C	Minimum Voltage kV rms	Weight kg
EWI-90-A	TBWI-80-90	80	2000	145	2.10
EWI-90-C	TBWI-120-90	120	3150	145	4.60
EWI-90-F	TBWI-200-90	200	4000	800	5.60
EWI-90-G	TBWI-250-90	250	4000	800	6.90

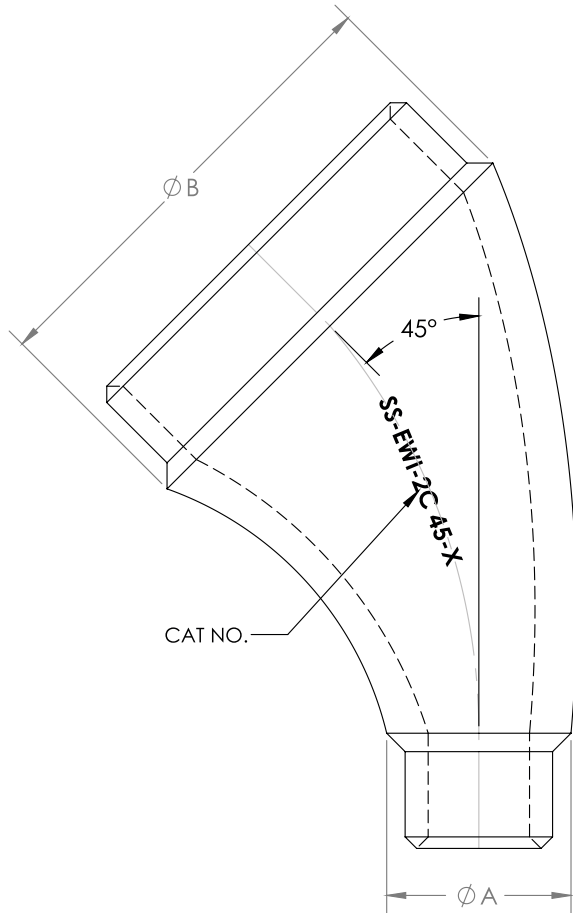


TBWI-2C-45

FEATURES AND BENEFITS

- To connect a two busbar (welded type).
- Material: Cast aluminium.
- Cat No. to be stamped on substation body casting.
- All bolted joint clamp and conductor/busbar surfaces to be cleaned with a stainless steel wire brush and a suitable conductive grease applied before use.
- Supplied in clear, sealed, heavy duty, UV stabilized plastic bag.

TBWI-2C-45 SPECIFICATION



Eskom Code	PLP Cat. No.	Tube Dia. (A) (mm)	Tube Dia. (B) (mm)	Minimum Rated Current @90°C	Minimum Voltage kV rms	Weight kg
EWI-2C 45-A	TBWI-80-200-45	80	200	2000	420	4.3
EWI-2C 45-B	TBWI-80-250-45	80	250	2000	420	6.1
EWI-2C 45-C	TBWI-120-200-45	120	200	3150	800	5.7

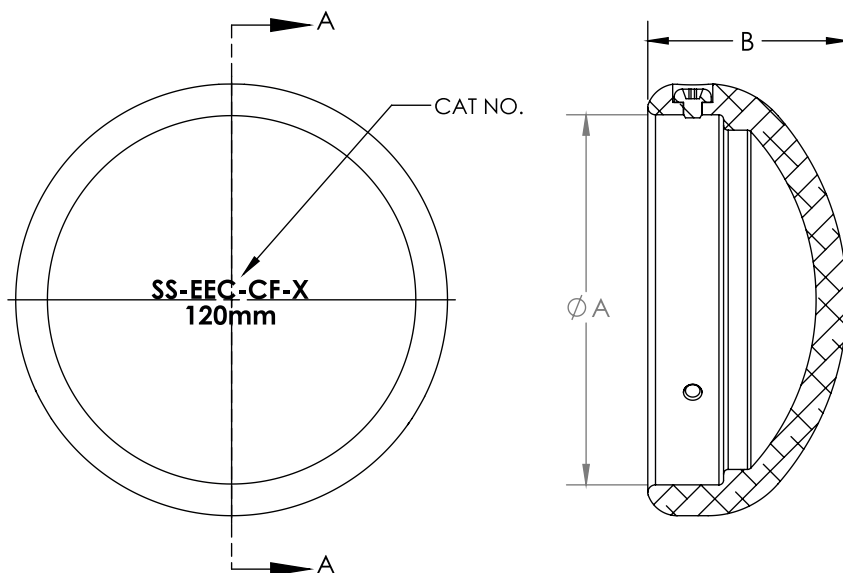


TBEC-C

FEATURES AND BENEFITS

- Busbar encap 80-250mm (corona-free)
- Material: Fasteners for: Cast aluminium Stainless steel fasteners.
- Cat No. to be stamped on substation body casting.
- Bolt torque values: M6 (St steel) 20Nm, M8 (Steel) 25Nm
- All bolted joint clamp and conductor/busbar surfaces to be cleaned with a stainless steel wire brush and a suitable conductive grease applied before use.
- Supplied in clear, sealed, heavy duty, UV stabilized plastic bag.
- Castings can be powder coated to either white/Blue/Red. Add suffix "-W"/"-B"/"-R" to tabulated PLP catalogue number. E.G. TBEC-C-120-B

TBEC-C SPECIFICATION



Eskom Code	PLP Cat. No.	Tube Dia. (A) (mm)	(B) (mm)	Minimum Voltage kV rms	Weight kg
EEC-CF-A	TBEC-C-80	80	60	420	0.43
EEC-CF-C	TBEC-C-120	120	65	420	0.75
EEC-CF-G	TBEC-C-200	200	86	800	2.62
EEC-CF-G	TBEC-C-250	250	100	800	5.04

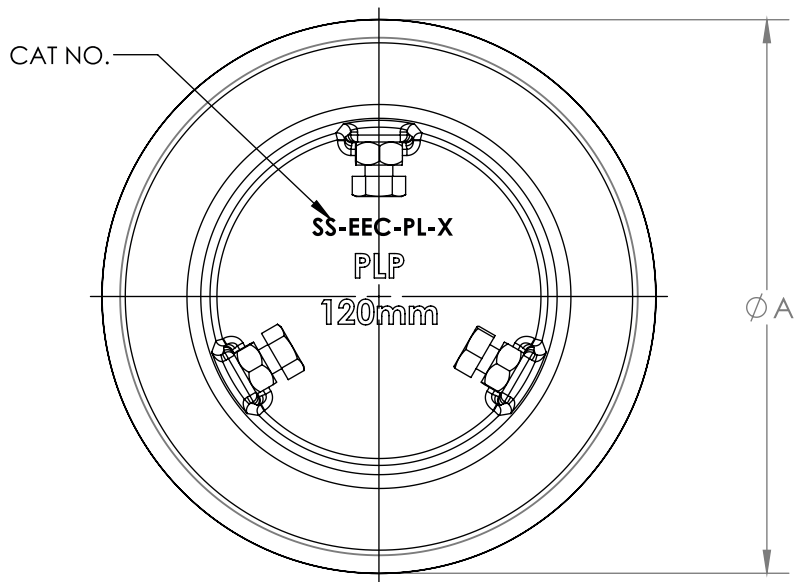
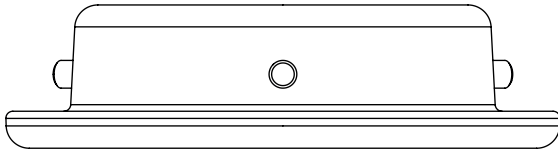


TBEC-P

FEATURES AND BENEFITS

- Busbar encap 80-250mm (corona-free)
- Material: Fasteners for: Cast aluminium Stainless steel fasteners.
- Cat No. to be stamped on substation body casting.
- Bolt torque values: M6 (St steel) 20Nm, M8 (Steel) 25Nm
- All bolted joint clamp and conductor/busbar surfaces to be cleaned with a stainless steel wire brush and a suitable conductive grease applied before use.
- Supplied in clear, sealed, heavy duty, UV stabilized plastic bag.
- Castings can be powder coated to either white/Blue/Red. Add suffix "-W"/"-B"/"-R" to tabulated PLP catalogue number. E.G. TBEC-P-120-W

TBEC-P SPECIFICATION



Eskom Code	PLP Cat. No.	Tube Dia. (A) (mm)	Minimum Voltage kV rms	Weight kg
EEC-PL-A	TBEC-P-80	80	145	0.12
EEC-PL-C	TBEC-P-120	120	145	0.36
EEC-PL-F	TBEC-P-200	200	800	2.20
EEC-PL-G	TBEC-P-250	250	800	3.36

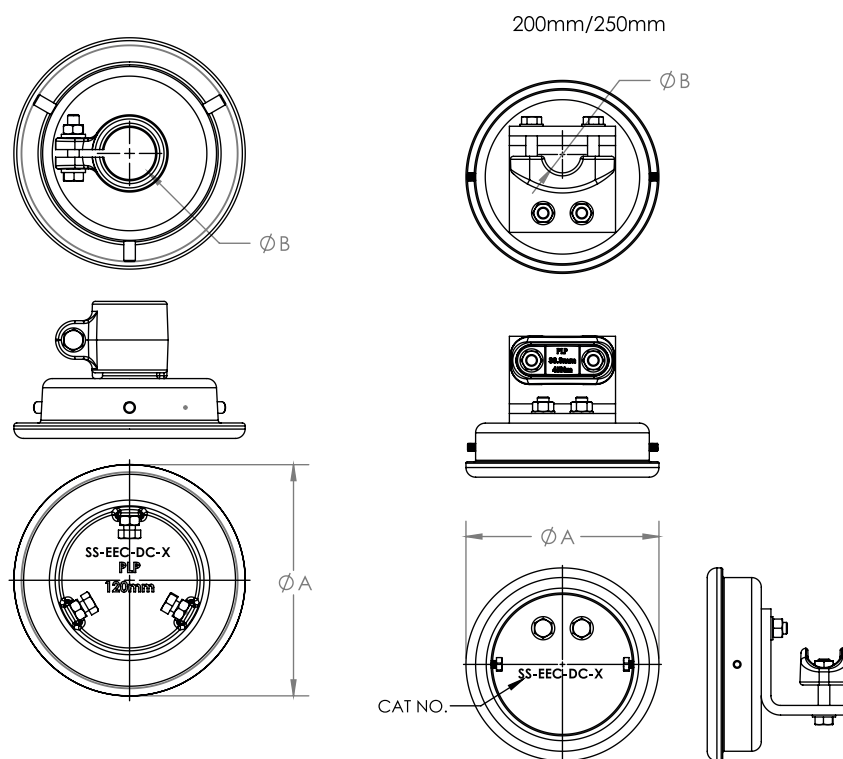


TBEC

FEATURES AND BENEFITS

- Busbar encap 80-250mm with damping conductor attachment.
- Material: Fasteners for: Cast aluminium Stainless steel fasteners.
- Cat No. to be stamped on substation body casting.
- Bolt torque values: M6 (St steel) 20Nm, M8 (Steel) 25Nm
- All bolted joint clamp and conductor/busbar surfaces to be cleaned with a stainless steel wire brush and a suitable conductive grease applied before use.
- Supplied in clear, sealed, heavy duty, UV stabilized plastic bag.
- Castings can be powder coated to either white/Blue/Red. Add suffix "-W"/"-B"/"-R" to tabulated PLP catalogue number. E.G. TBEC-120-26-W

TBEC SPECIFICATION



Eskom Code	PLP Cat. No.	Tube Dia. (A) (mm)	Cond. Dia. (B) (mm)	Minimum Voltage kV rms	Weight kg
EEC-DC-A	TBEC-80-26	80	26.5	145	0.13
EEC-DC-C	TBEC-120-26	120	26.5	145	0.44
EEC-DC-F	TBEC-200-26	200	26.5	800	2.20
EEC-DC-G	TBEC-200-38	200	38.3	800	2.60
EEC-DC-H	TBEC-250-26	250	26.5	800	3.35
EEC-DC-J	TBEC-250-38	250	38.3	800	3.41

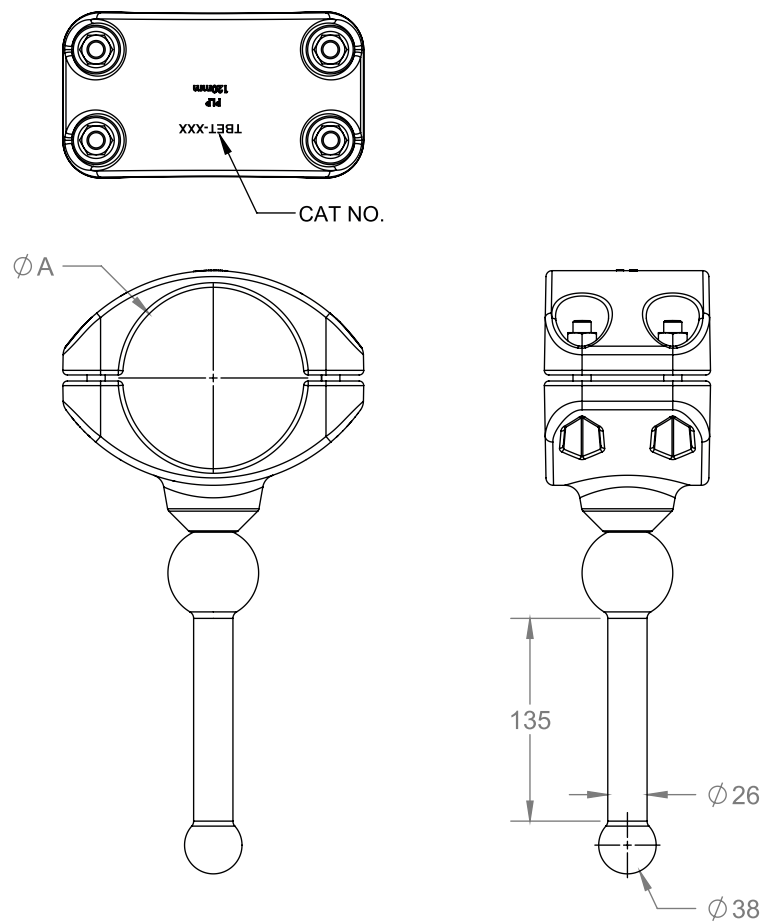


TBET

FEATURES AND BENEFITS

- To act as a moving earthing clamp connection.
- Material: Fasteners for: Tube Diam. 80-120mm Stainless steel Gr. A4 components are cast aluminium.
- Cat No. to be stamped on substation body casting.
- Bolt torque values: M10 (St steel) 35Nm, M12 (Steel) 60Nm
- All bolted joint clamp and conductor/busbar surfaces to be cleaned with a stainless steel wire brush and a suitable conductive grease applied before use.
- Supplied in clear, sealed, heavy duty, UV stabilized plastic bag.

TBET SPECIFICATION



Eskom Code	PLP Cat. No.	Tube Dia. (A) (mm)	Short Circuit Withstand current kA	Duration of short Circuit Withstand Current Sec	Maximum voltage kV rms	Weight kg
EET-TB-A	TBET-80	80	40	80	145	2.0
EET-TB-C	TBET-120	120	50	120	145	3.7

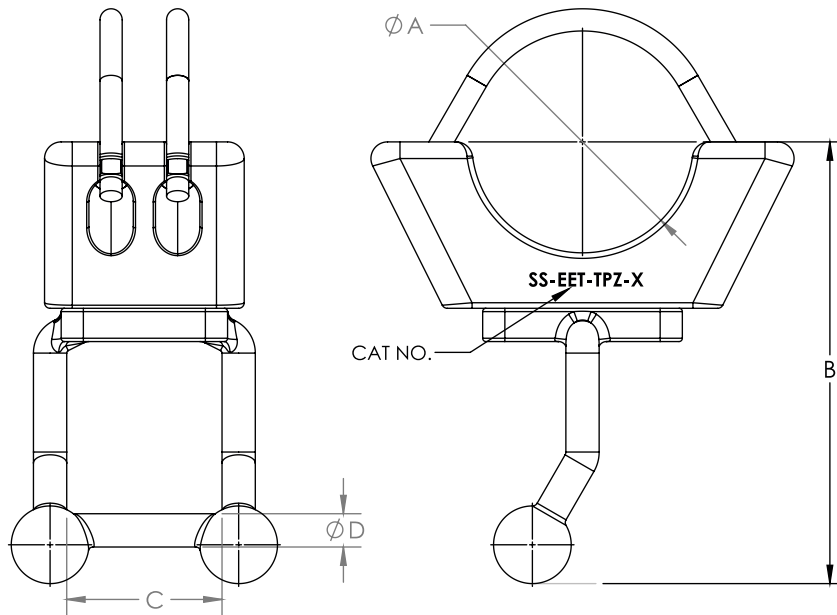


TBEET

FEATURES AND BENEFITS

- Movable connecting clamp for earthing switches
- Material: Fasteners for: HDG Gr.8 Fasteners Stainless steel Gr. A4 cast aluminium.
- Cat No. to be stamped on substation body casting.
- Bolt torque values: M12 (St steel) 60Nm, M20 (Steel) 90Nm
- All bolted joint clamp and conductor/busbar surfaces to be cleaned with a stainless steel wire brush and a suitable conductive grease applied before use.
- Supplied in clear, sealed, heavy duty, UV stabilized plastic bag.

TBEET SPECIFICATION



Eskom Code	PLP Cat. No.	Tube Dia. (A) (mm)	(B) (mm)	(B) (mm)	Contact Diam. (D) (mm)	Short Circuit Withstand current kA	Duration of short Circuit Withstand Current Sec	Maximum voltage kV rms	Weight kg
EET-TPZ-A	TBEET-200	200	400	170	30	63	3	800	12.9
EET-TPZ-B	TBEET-250	250	425	170	30	63	3	800	19.2
EET-TPZ-C	TBEET-120	120	360	170	30	63	3	800	6.9

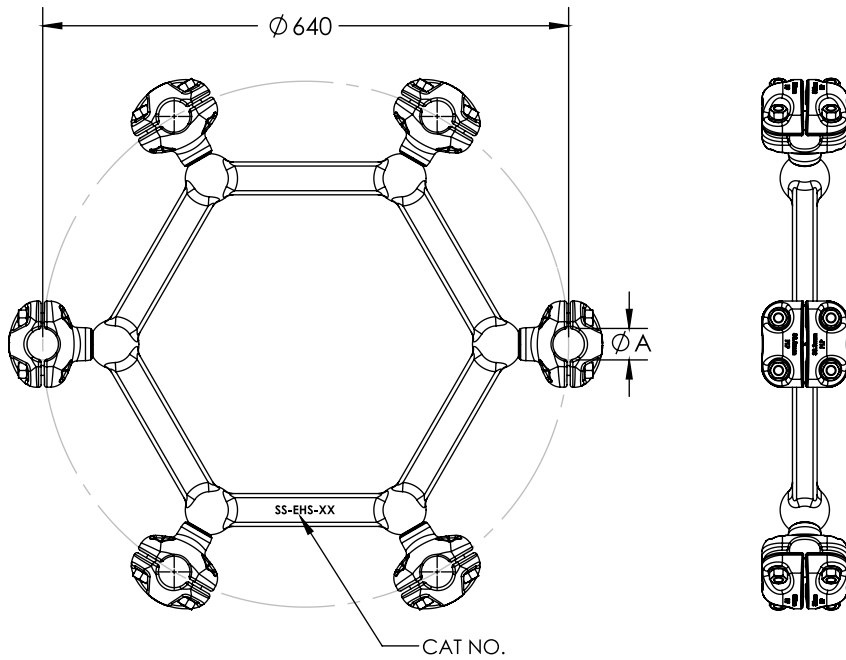


TBS

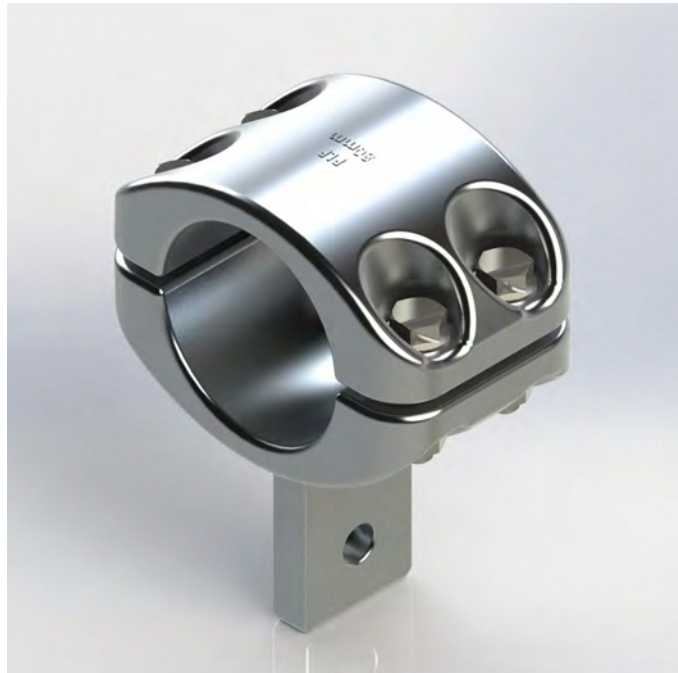
FEATURES AND BENEFITS

- Hex bundle spacer- current carrying.
- Material: Fasteners for: Stainless steel Gr. A4 fasteners cast aluminium.
- Cat No. to be stamped on substation body casting.
- Bolt torque values: M12 (St steel) 60Nm.
- All bolted joint clamp and conductor/busbar surfaces to be cleaned with a stainless steel wire brush and a suitable conductive grease applied before use.
- Supplied in clear, sealed, heavy duty, UV stabilized plastic bag.

TBS SPECIFICATION



Eskom Code	PLP Cat. No.	Conductor Diam. (A) (mm)	Number of Conductor	Minimum Compressive Force kN	Normal Current @90°C	Maximum voltage kV rms	Weight kg
EHS-A	TBS-26	26.5	6	10	4000	800	14.0
EHS-B	TBS-38	38.3	6	10	4000	800	13.8

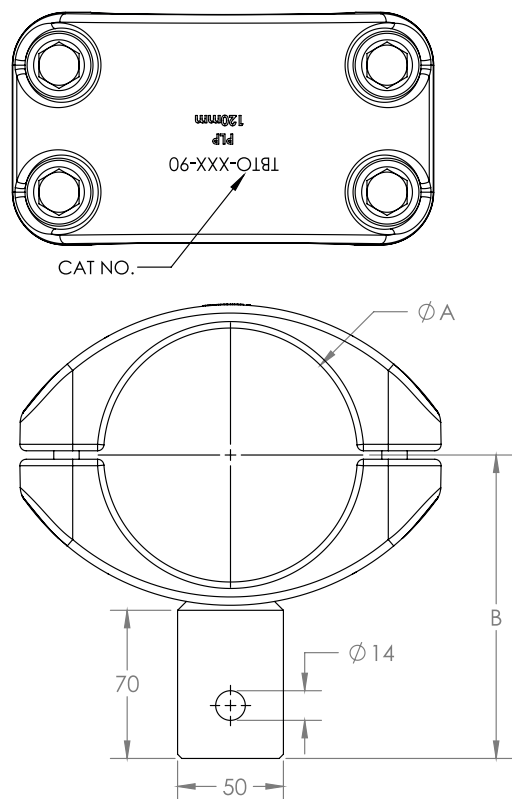


TBTO-90

FEATURES AND BENEFITS

- To connect a busbar to a 1-hole palm.
- Material: Fasteners for: Tube diam. 80 - 120mm Stainless Gr. A4. Components are cast aluminium.
- Bolt torque values: M10 (St steel) 35Nm, (AL.) 21Nm M12 (St steel) 60Nm
- Cat No. to be stamped on substation body casting.
- All bolted joint clamp and conductor/busbar surfaces to be cleaned with a stainless steel wire brush and a suitable conductive grease applied before use.
- Supplied in clear, sealed, heavy duty, UV stabilized plastic bag.

TBTO-90 SPECIFICATION



Eskom Code	PLP Cat. No.	Tube Diam. (A) (mm)	(B) (mm)	Minimum Rated Current @90°C	Maximum voltage kV rms	Weight kg
ETP-PL-1H-90-1-A	TBTO-80-90	80	125	650	145	1.7
ETP-PL-1H-90-1-B	TBTO-120-90	120	145	650	145	3.0

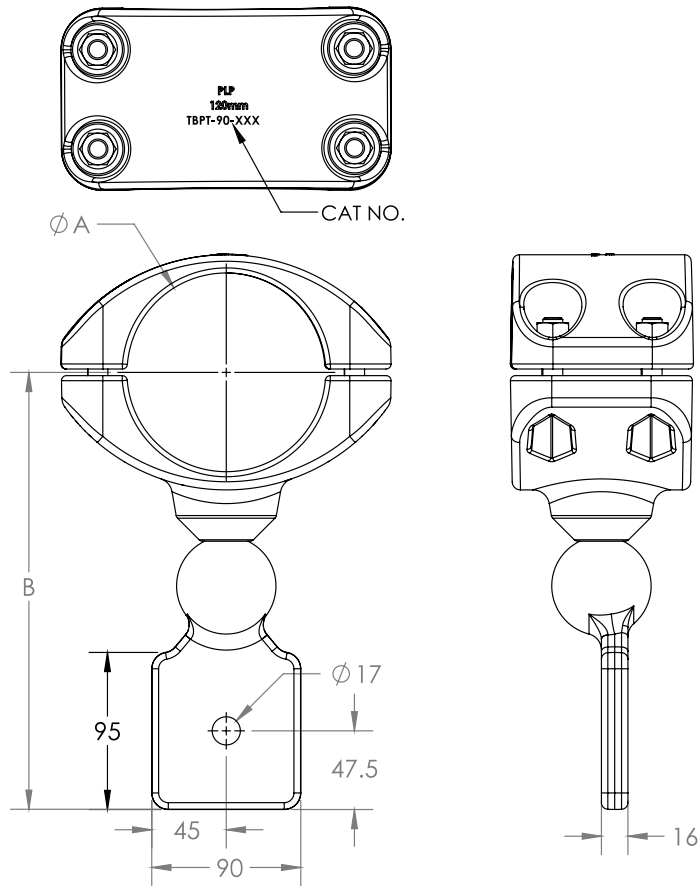


TBPT-90

FEATURES AND BENEFITS

- To connect a busbar to a 1-hole palm.
- Material: Fasteners for: Tube diam. 80 - 120mm Stainless Gr. A4. Components are cast aluminium.
- Bolt torque values: M10 (St steel) 35Nm, (AL.) 21Nm M12 (St steel) 60Nm
- Cat No. to be stamped on substation body casting.
- All bolted joint clamp and conductor/busbar surfaces to be cleaned with a stainless steel wire brush and a suitable conductive grease applied before use.
- Supplied in clear, sealed, heavy duty, UV stabilized plastic bag.

TBPT-90 SPECIFICATION



Eskom Code	PLP Cat. No.	Tube Diam. (A) (mm)	(B) (mm)	Minimum Rated Current @90°C	Maximum voltage kV rms	Weight kg
ETP-PL-1H-90-2-A	TBPT-80-90	80	245	1350	145	2.4
ETP-PL-1H-90-2-B	TBPT-120-90	120	265	1350	145	3.8



PLP SOUTH AFRICA
180 OHRTMANN ROAD
WILLOWTON, PIETERMARITZBURG
3201

(033) 397 5800
SALES.SA@PLP.COM
PLP.COM