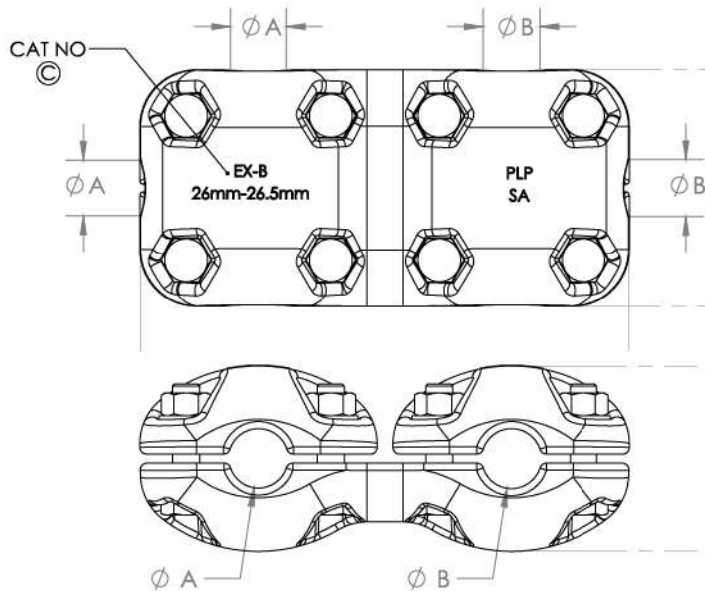


EX

The EX – type Clamp is a bolted cross clamp and they are capable of making connections that are in-line or at an angle of 90° at either end of the clamp. A is designed to bolt onto a solid stem and B is designed to bolt onto stranded conductor.

EX – Clamps are generally only to be used in non-current carrying applications e.g. through connections on support post insulators, voltage transformers and surge arresters. Each half clamp is fitted with two independent clamping saddles.



NOTES:

- Bolted-Bolted cross clamps for making bolted connections between solid equipment stems and stranded conductor in low or non-current carrying applications.
- Fasteners M12 GR. 8.8 HDG to ISO 1461. Torque to 45Nm.
- (C) Cat No. to be cast on substation body casting.
- All bolted clamps and conductors surfaces to be cleaned with a stainless steel wire brush and a suitable conductive grease applied before use.
- Material: Cast aluminium.
- Supplied in clear, sealed, heavy duty, UV stabilized plastic bag.

NEW TYPE DESIGNATION	OLD TYPE DESIGNATION	DIAMETER		RATED CURRENT	MAXIMUM VOLTAGE
		(mm)	(IN)		
EX – A	K1	26	16.3	[A rms]	[KV rms]
EX – B	K2	26	26.5	457	145
EX – C	K3	38	16.3	833	300
EX – D	K4	38	26.5	457	145
EX – E	K5	38	38.3	833	300
EX – F	K6	38	19.0	1300	420
EX – G	K7	35	26.5	530	300
EX – H	K8	35	38.3	833	300
EX – J	K9	26	19.0	900	420
EX – K	K10	26	21.0	530	300

- All clamps supplied with M10/12 HDG bolts, nuts and washers
- Recommended Torque: M10: 30 Nm / M12:45Nm