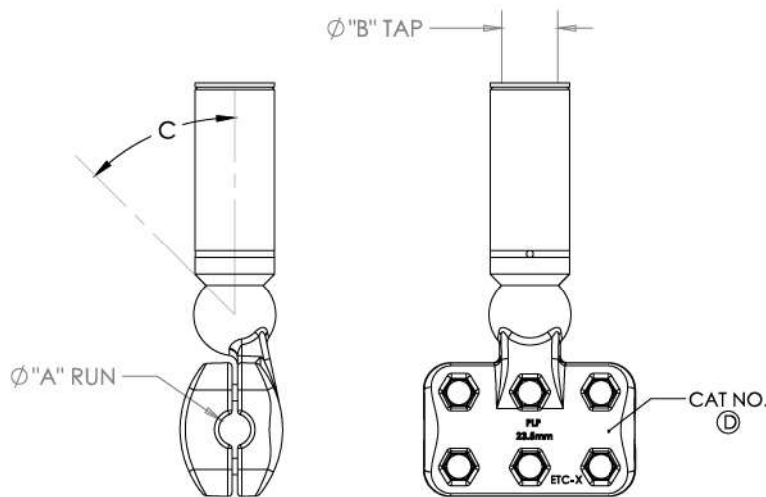


ETC

These are bolted "TEE"-compression clamps and are designed to make connections from a stranded conductor "RUN" which is under tension, onto a stranded conductor "TEE" connecting to equipment. The bolted "RUN" section of these clamps are fitted with three independent clamping saddles.



NOTES:

- To connect a stranded conductor "run" under tension to a stranded conductor "tap" by bolting palm to run conductor and crimping tap conductor in compression tube.
- (D) Cat no. to be stamped in the location shown.
- Material cast and extruded aluminium.
- Fasteners M12 GR. 8.8 HDG torque to 45Nm
- Compression die and size stamped on tube. 3 crimps required.
- Tube is pre-greased with conductive grease and sealed with plastic cap.
- All bolted joint clamp and conductor surfaces to be cleaned with stainless steel wire brush and a suitable conductive grease applied before use.
- Supplied in clear, sealed, heavy duty, UV stabilized plastic bag.

NEW TYPE DESIGNATION	OLD TYPE DESIGNATION	DIAMETER (mm) (IN)		(C) ANGLE	RATED CURRENT [A RMS]	MAXIMUM VOLTAGE (UM) [KV RMS]
		A-RUN	B-TAP			
ETC-A	TC 1	23.5	26.5	0°	650	300
ETC-B	TC 2	23.5	38.3	0°	650	300
ETC-C	TC 3	26.5	26.5	0°	833	300
ETC-D	TC 4	26.5	38.3	0°	833	300
ETC-E	TC 5	28.6	26.5	0°	833	300
ETC-F	TC 6	28.6	38.3	0°	860	300
ETC-G	TC 7	35.6	26.5	0°	833	300
ETC-H	TC 8	35.6	38.3	0°	1100	420
ETC-J	TC 9	38.3	26.5	0°	833	300
ETC-K	TC 10	38.3	38.3	0°	1300	420
ETC-L	TC 11	18.1	26.5	0°	470	145
ETC-M	TC 12	18.1	18.1	0°	470	145
ETC-N	TC 13	26.5	18.1	0°	470	145
ETC-P	TC 14	38.3	18.1	0°	470	145



ETC

NEW TYPE DESIGNATION	OLD TYPE DESIGNATION	DIAMETER (mm) (IN)			RATED CURRENT [A RMS]	MAXIMUM VOLTAGE (UM) [KV RMS]
		A-RUN	B-TAP	ANGLE		
ETC - Q	TC 15	38.3	16	0 °	450	145
ETC - R	TC 16	26.5	16	0 °	450	145
ETC - S	TC 17	16	16	0 °	450	145
ETC - T	TC 18	26.5	26.5	45 °	833	300
ETC - U	TC 19	38.3	26.5	45 °	833	300
ETC - V	TC 20	38.3	38.3	45 °	1300	420
ETC - W	TC 21	18.1	16.25	0 °	470	145
ETC - X	TC 22	26.5	16.25	0 °	450	145
ETC - Y	TC 23	38.3	16.25	0 °	450	145
ETC - Z	TC 24	25.97	26.5	0 °	730	300
ETC - AA	TC 25	25.97	38.3	0 °	730	300
ETC - AB	TC 26	24.71	26.5	0 °	718	145
ETC - AC	TC 27	24.71	38.3	0 °	718	145
ETC - AD	TC 28	22.61	26.5	0 °	643	145
ETC - AE	TC 29	22.61	38.3	0 °	643	145

* Refer to [page SC - 24](#) for the die size for Alcan Compression Fittings

- All clamps supplied with M12 HDG bolts, nuts and washers
- Recommended Torque: 45 Nm