

Universal Top-of-Pole Mount

Single Pole PV Mounting System

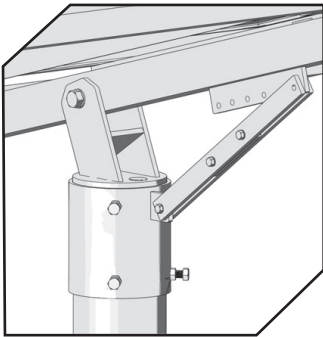


-  COMMUNICATIONS
-  ENERGY
-  SPECIAL INDUSTRIES
-  SOLAR



Key Benefits

- Maximum Strength
- Universal Design, Mounts most 60 cell modules
- Ease of Assembly, Reduced Parts
- Single Ground Penetration
- Seasonal Tilt Angle Adjustment



Ease of Assembly, Reduced Labor Costs

- Slide plates provide easy adjustment
- Compatible with WEEB bonding washers
- Double hole plate aligns module spacing
- Easy access bottom flange bolting



PREFORMED LINE PRODUCTS

Albuquerque Office
1700 Louisiana Blvd., Suite 130
Albuquerque, NM 87110 USA

Corporate Headquarters
660 Beta Drive
Cleveland, Ohio 44143 USA

Telephone: 800.260.3792
Fax: 505.881.0933
Website: preformed.com
Email: info@plpsolar.com

© 2018 Preformed Line Products
Printed in U.S.A.
SL-SS-1129-7
01.18.IH

Universal Top-of-Pole PV Mounting (UTPM) System

The UTPM is designed to install quickly and provide a secure mounting structure for PV modules on a single pole. The universal design adapts to various 60 cell PV modules and provides for an easy assembly. The UTPM utilizes high-strength welded steel components

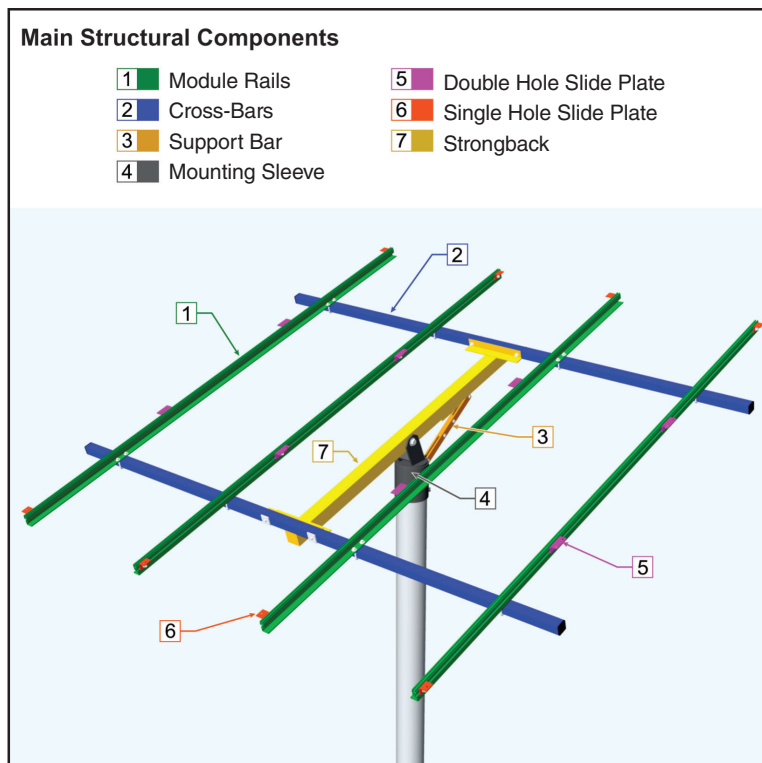
Maximum Strength, Durable Design

- Standard design withstands 90 MPH wind zones
- Welded steel Strongbacks and mounting sleeves, powder coat finish
- 6000 series structural aluminum mounting rails, mill finish
- Stainless steel module mounting hardware

and corrosion resistant hardware for long-term reliability. Seasonal adjustability for maximizing electrical production is provided by six different tilt-angle settings and is a single person operation.

Application Flexibility

- Several UTPM sizes available to mount 4 through 15 modules
- Secures most 37 - 42" wide by 61 - 67" long PV modules*
- Installs over standard Schedule 40 or 80 rigid steel pipe (Installer Supplied)
- 15° to 65° tilt angle settings (10° increments)
- Mount up to 4 kW on a single pole



* PV Modules without a bottom flange and 1/4" mounting holes cannot be used with UTPM's.

Ordering Guideline

UTPM8-G



PLP Module Series
Number of Modules
Options: 4, 6, 8, 10, 12, and 15

Foundation Design Support available
from PLP's staff of engineers.

