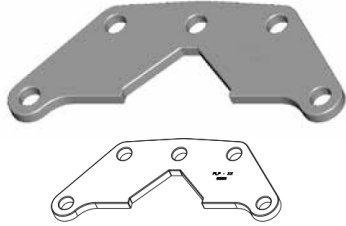


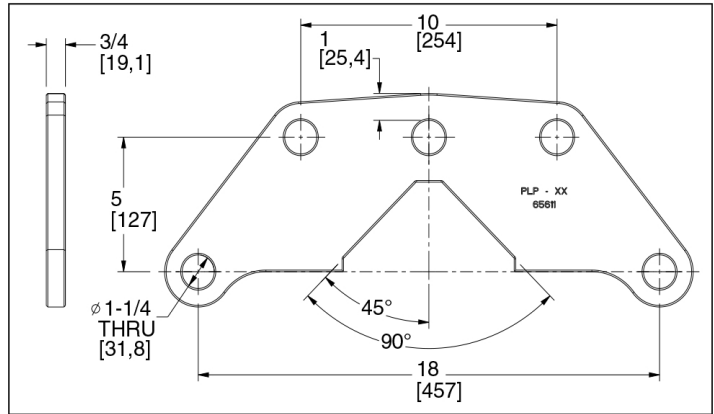


Transmission Line String Hardware

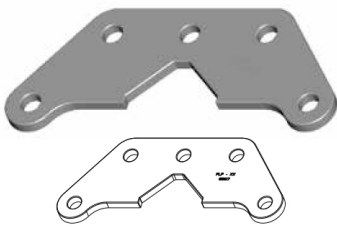
Yoke Plate, V-String Twin, 30K (Per Hole) – Catalog No. YPV-65611



Features	
Body	Forged steel, hot dip galvanized
Approximate weight	19 lbs (8.6 kg)
Rated breaking strength (RBS)	30,000 lbs (133 kN)



Yoke Plate, V-String Twin, 50K (Per Hole) – Catalog No. YPV-65617



Features	
Body	Forged steel, hot dip galvanized
Approximate weight	23 lbs (10.4 kg)
Rated breaking strength (RBS)	50,000 lbs (222 kN)

