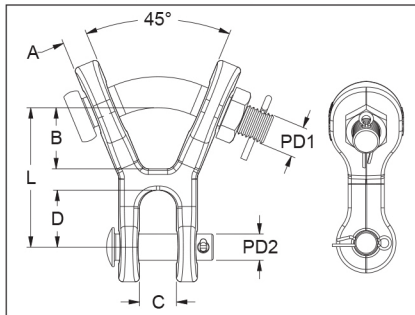
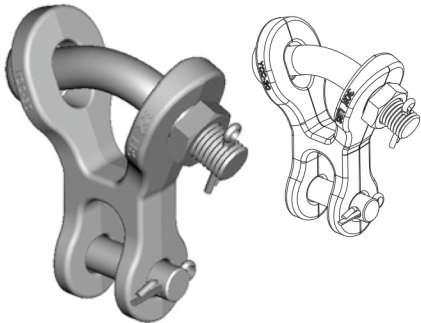


Y-Clevis Clevis – 30K



Features	
Body	Ductile iron, hot dip galvanized
Hardware	Galvanized Steel
Cotter Pin	Stainless Steel

Catalog Number	General Dimensions – inches (mm)							Vertical Ultimate Strength lbf (kN)	Wt. Per 100 Units lbs (kg)
	A	B	C	D	L	PD1	PD2		
YCC-30	19/32 (15)	1-15/32 (37)	7/8 (23)	1-3/8 (35)	3-5/16 (84)	3/4 (19)	5/8 (16)	30,000 (133)	240 (108)

For bolt, nut, and cotter in place of clevis pin, add BNK to the catalog number (Ex: YCC-30BNK).