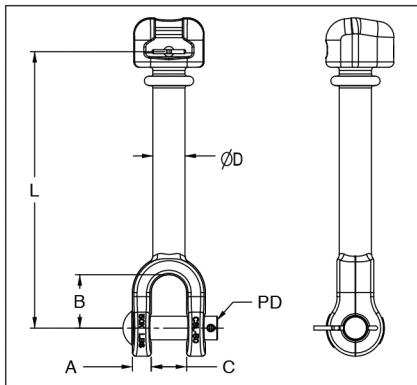
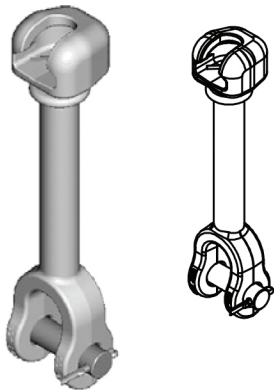


Socket Clevis Link – SCL-30 & SCL-50



Features	
Body	Forged steel, hot dip galvanized
Hardware	Galvanized steel
Cotter Pin	Stainless steel

Catalog Number	General Dimensions inches (mm)						For Use with Insulators per ANSI Class Spec. C-29.2-71	Vertical Ultimate Strength lbf (kN)	Wt. Per 100 Units lbs (kg)
	A	B	C	D	L	PD			
CSL-30	7/16 (11.0)	1-9/16 (39.7)	1 (25.4)	11/16 (18)	3/4 (69.5)	3/4 (19)	52-3 and 52-5	30,000 (133)	285 (130)
CSL-50	11/16 (17.5)	1-5/8 (41.1)	1-5/16 (33.4)	1-3/16 (30.2)	2-5/16 (58.7)	7/8 (22)	52-8 and 52-11	50,000 (222)	570 (258)

For bolt, nut, and cotter in place of clevis pin and cotter, add BNK to the catalog number (Ex: CSL-30BNK).