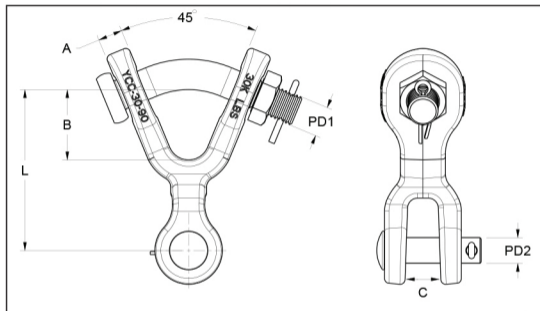
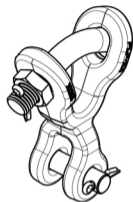


Rotated Y-Clevis Clevis – 30K



Features	
Body	Ductile iron, hot dip galvanized
Hardware	Galvanized Steel
Cotter Pin	Stainless Steel

Catalog Number	General Dimensions – inches (mm)							Vertical Ultimate Strength lbf (kN)	Wt. Per 100 Units lbs (kg)
	A	B	C	D	L	PD1	PD2		
YCC-30-90	19/32 (15.2)	1-3/4 (44.5)	7/8 (22.2)	1.36 (35)	3-29/32 (99.4)	3/4 (19)	5/8 (16)	30,000 (133)	370 (167)

For bolt, nut, and cotter in place of clevis pin and cotter, add BNK to the catalog number (Ex: YCC-30-90BNK).